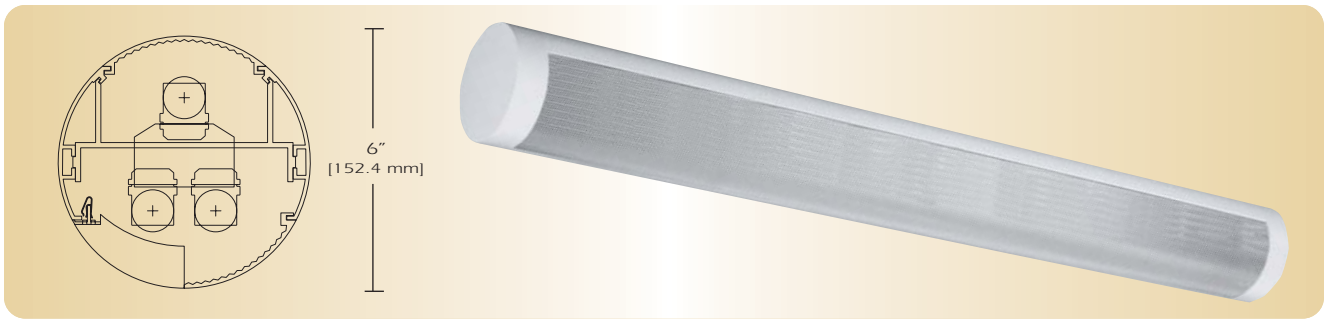


Rounds

AD-RO6-DI



TYPE _____

FEATURES

The AD RO6 DI series is a direct/indirect version of the family of 6" round extruded aluminum luminaires. The series is furnished with a round clear ribbed acrylic lens to provide widespread indirect distribution. A round clear linear acrylic lens or a round radial baffle provides control of down light. The series can be suspended, wall mounted and mounted from wall to wall. These AD RO6 DI can be mounted individually, in perfectly aligned continuous rows, or in any combination of patterns. The AD RO 6 DI provide excellent direct control while softening the overall design effect with the indirect component.

SPECIFICATIONS

Housing: Two piece heavy gauge extruded aluminum 6063T5 alloy welded construction forming a six-inch round diameter profile. Finished end caps are welded with no exposed hardware or knockouts.

Reflector: Die formed 20-gauge cold rolled steel minimum 90% reflectivity finished in high gloss baked white enamel.

Shielding: Standard lens for direct and indirect lighting is extruded acrylic with linear ribs (ARL) for efficient light distribution. Optional radial aluminum baffle (RAB) is available for direct lighting.

Electrical: Ballast is electronic, high power factor, thermally protected class P, sound rated A, with less than 20% total harmonic distortion. The minimum number of ballasts will be used unless otherwise specified.

Mounting: Standard installation is an adjustable self-locking aircraft assembly 48" x 3/32" in diameter with 5" canopy. One 1/4 SJT straight 54" cord is supplied with each power feed. Standard pendants are available in 24" lengths. See Accessories for additional mounting.

Finish: Fixture housing and steel components are finished in baked white enamel applied over a five-stage pretreatment process.

Lamps: Fixtures are provided for use with two to four 32 watt T8 lamp or 54 watt T5 HO lamps. (Supplied by Others)

Certification: Luminaires are U. L. Listed, C. S. A. certified and are Union Made in the United States of America I.B.E.W.

ORDERING GUIDE

MODEL NO.	DIRECTION	SHIELDING/UP	SHIELDING/DOWN	LAMPS/UP	LAMPS/DOWN	MOUNTING	LENGTH	FINISH	VOLTAGE	OPTIONS
AD-RO6	DI	/U	/D	/U	/D					
AD-RO6	DI =Direct/Indirect	ARL =Acrylic Ribbed Lens	ARL =Acrylic Ribbed Lens RAB =Radial Aluminum Baffle	132T8 232T8 154T5 HO 254T5 HO	132T8 232T8 154T5 HO 254T5 HO	AC = Cable PD = Pendant WM = Wall Mounted WW = Wall to Wall See Accessories	4 = 4 ft 8 = 8 ft for other, please enter row length (eg. 48=48ft)	W = White CC = Custom Color	120v 277v	See Options Below

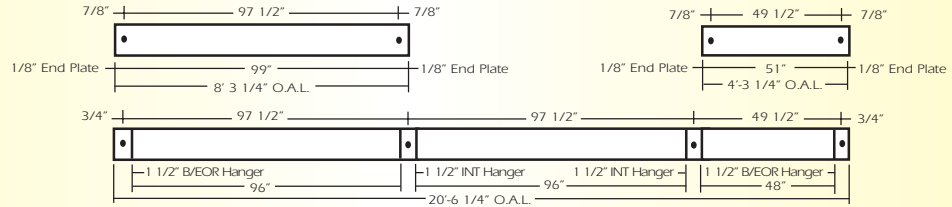
Example: **AD-RO6-DI-ARL/U-RAB/D-132T8/U-232T8/D-AC-4-W-120V**
 AD-RO6 direct/indirect with acrylic ribbed linear lens up and radial aluminum baffle down for one 32 watt T8 lamp up and two 32 watt T8 lamp down including two 48inch aircraft cables and power feed four foot fixture finished in baked white enamel 120v electronic ballast less than 20% total harmonic distortion.

OPTIONS

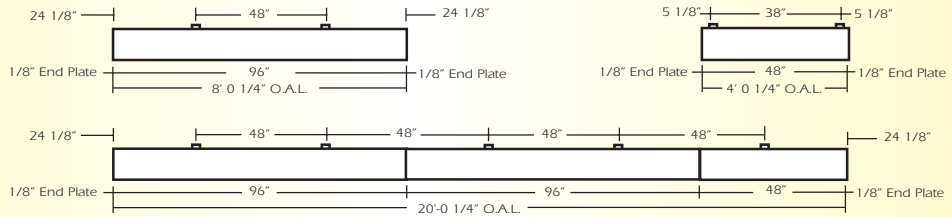
- E10=** Electronic ballast, high power factor, thermally protected class P, sound rated A, < 10% total harmonic distortion
- DIM=** Dimming Ballast
- EPC=** Emergency Battery Pack
- EMC=** Emergency Circuit
- TCW=** Two Circuit Wiring
- TDW=** Tandem Wiring
- OTH=** See Accessories for other options available

LINEAR SECTIONS AND SUSPENSION LOCATION

SUSPENSION MOUNTING

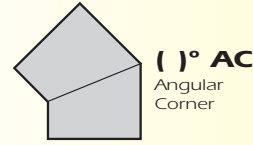
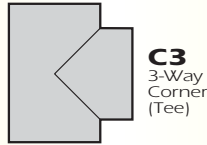
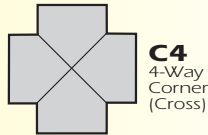
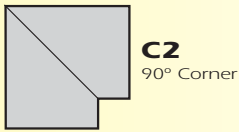


WALL MOUNTING



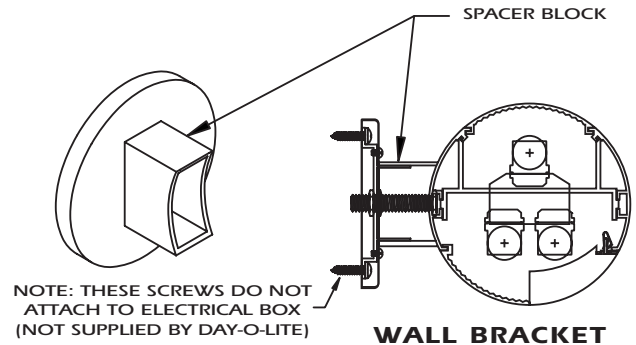
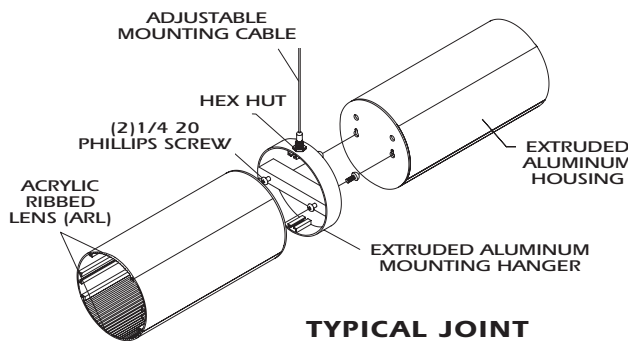
CORNERS

Corners and fixture extensions are custom fabricated to precise dimensions. Please indicate the specific requirements on the layout

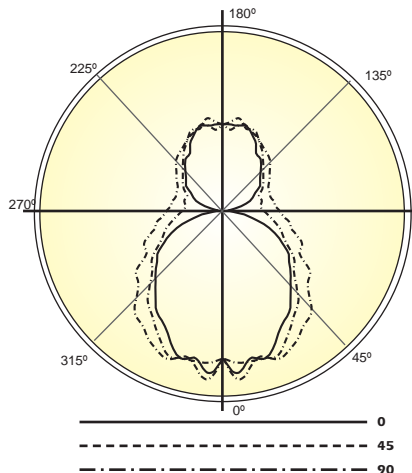


For any angular corner, ()° must be specified and dimensions must be included on the layout
For any pattern, a layout must accompany the order.

INSTALLATION PREPARATION



PHOTOMETRY



Candela Distribution:

Vert. Angle	0	22.5	45	67.5	90
0	850	850	850	850	850
5	937	908	878	933	974
15	885	880	883	899	867
25	759	769	834	883	887
35	671	650	719	782	805
45	550	579	589	702	700
55	456	463	500	554	605
65	336	354	381	470	499
75	185	236	317	378	405
85	43.6	132	252	327	340
95	24.5	101	213	286	296
105	114	138	225	265	281
115	187	196	227	270	284
125	255	250	278	306	323
135	298	316	324	360	379
145	367	355	391	412	418
155	430	410	464	483	462
165	502	483	489	504	503
175	496	496	513	511	465
180	495	495	495	495	495

Optical Distribution:
63% Direct: 37% Indirect

Coefficients of Utilization - Zonal Cavity Method:

pfc = 0.20

	.8	.7	.5	.3	.1	0												
pcc	.8	.7	.5	.3	.1	0												
pw	.7	.5	.3	.1	.5	.3	.1	0										
RCR	0	62	62	62	58	58	58	58	51	51	51	44	44	44	38	38	38	35
1	55	52	49	47	51	49	46	44	43	41	39	37	35	34	32	31	30	27
2	50	45	41	37	46	42	38	35	37	34	31	32	30	28	27	25	24	22
3	45	39	34	31	42	37	32	29	32	29	26	28	25	23	24	22	20	18
4	41	34	29	26	38	32	28	24	28	25	22	24	22	19	21	19	17	15
5	38	30	25	22	35	29	24	21	25	21	19	22	19	17	19	16	14	13
6	35	27	22	19	32	26	21	18	22	19	16	20	17	14	17	14	13	11
7	32	24	20	16	30	23	19	16	20	17	14	18	15	13	15	13	11	10
8	30	22	18	14	28	21	17	14	18	15	12	16	13	11	14	12	10	9
9	28	20	16	13	26	19	15	12	17	13	11	15	12	10	13	11	9	8
10	26	19	14	11	24	17	14	11	16	12	10	14	11	9	12	10	8	7



Total Luminaire Optical Efficiency = 56.3%