

Features

The ELITE-1 is a narrow, low profile direct/indirect luminaire featuring a center steel cross baffle or perforated diffuser. ELITE-1 is simple and sleek allowing for a variety of shielding options. The ELITE-1 is made for today's modern applications. The ELITE-1 is the ideal luminaire for any installation where high performance and comfortable lighting are required.

Specifications

HOUSING: Die formed 20-gauge cold rolled steel. The finish ends are 16-gauge cold rolled steel with no exposed hardware or knockouts.

SHIELDING: Die formed 20-gauge steel cross baffle. Optional perforated steel center diffuser is also available.

REFLECTOR: Die formed 20-gauge cold rolled steel minimum 90% reflectivity finished in baked white enamel.

ELECTRICAL: Ballast is electronic, low-profile, universal voltage 120/277, high power factor, thermally protected, sound rated A with less than 10% total harmonic distortion. Luminaires in rows are pre-wired with quick connect through wiring. The minimum number of ballasts will be used unless otherwise specified. Please consult factory for lamp/ballast availability.

BALLAST DISCONNECT: Luminaires are pre-wired with integrated locking disconnects.

MOUNTING: Standard installation is an adjustable self locking Y style aircraft assembly 48" x 3/32" with a 5" canopy. One 16/4 SJT straight 54" cord is provided per power feed location. Standard pendants are available in 24" lengths. Optional wall mount version is also available. See Mounting Options pages for additional mounting.

FINISH: Fixture housing and steel components are finished in baked white enamel applied over a five-stage pretreatment process.

LAMPS: Fixtures are provided for use with T5, T5HO or T8 lamps. (Supplied by Others)

CERTIFICATION: Luminaires are U.L. Listed, C.S.A. certified and are Union Made in the United States of America. I.B.E.W.

TYPE

Ordering Guide

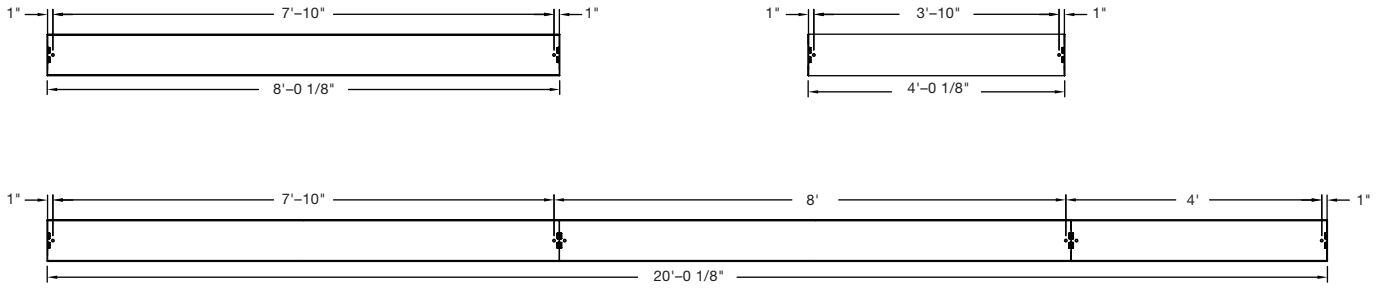
MODEL NO.	DIRECTION	SHIELDING	NUMBER OF LAMPS	LAMPS	MOUNTING	ROW LENGTH	FINISH	VOLTAGE	OPTIONS
ELT-1	DI								
ELT1	DI = Direct/ Indirect	SCB = Steel Cross Baffle PF = Perforated Metal with Overlay	1 2	T5 T5HO T8	AC = Cable PD = Pendant Other mounting options available, see pgs. 357-359	4 = 4 ft 8 = 8 ft For other, please enter row length (eg. 48 = 48 ft)	W = White CC = Custom Color	UNV = 120/277	DIM = Dimming Ballast EPC = Emergency Battery Pack EMC = Emergency Circuit TCW = Two Circuit Wiring OTH = Other options available, see page 355

Example » ELT1 | DI | SCB | 2T5 | AC | 4 | W | UNV

ELITE-1 direct indirect with a steel cross baffle for two 28 watt T5 lamps, aircraft cable mounted 4' fixture, finished in baked white enamel, universal voltage electronic ballast less than 10% total harmonic distortion.

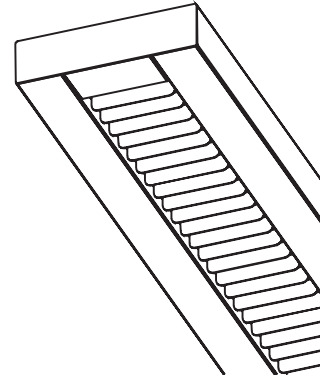
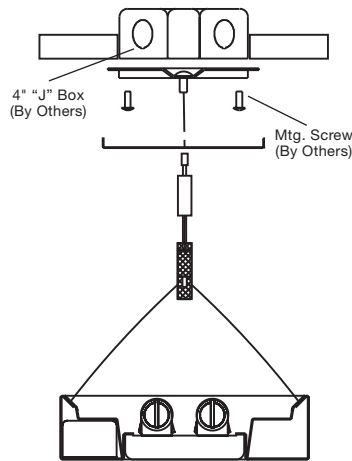
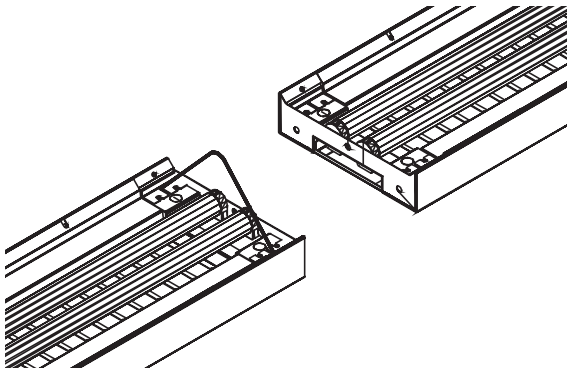


Linear Sections and Suspension Location



Installation Preparation

TYPICAL JOINT DETAIL



Photometry

COEFFICIENTS OF UTILIZATION-ZONAL CAVITY METHOD

pfc = 0.20

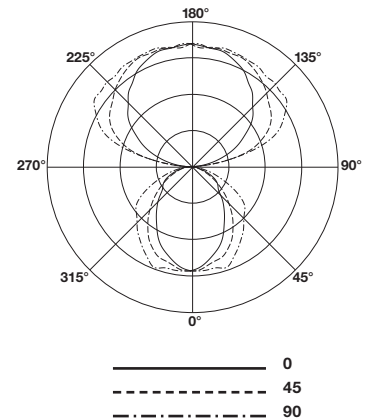
pcc	.8			.7			.5			.3			.1			0		
pw	.7	.5	.3	.1	.7	.5	.3	.1	.5	.3	.1	.5	.3	.1	.5	.3	.1	0
RCR																		
0	91	91	91	91	82	82	82	82	66	66	66	51	51	51	37	37	37	30
1	83	80	76	73	75	72	69	67	58	56	54	44	43	42	32	32	31	25
2	76	69	64	60	68	63	58	55	50	47	45	39	37	35	28	27	26	21
3	69	61	55	50	62	55	50	46	44	41	37	34	32	30	25	24	22	18
4	63	54	47	42	57	49	43	39	39	35	32	31	28	25	22	21	19	15
5	58	48	41	36	52	44	37	33	35	31	27	27	24	22	20	18	17	13
6	53	43	36	31	48	39	33	28	32	27	24	25	22	19	18	16	15	12
7	49	39	32	27	44	35	29	25	29	24	21	22	19	17	17	14	13	10
8	46	35	28	24	41	32	26	22	26	22	18	20	17	15	15	13	11	9
9	42	32	25	21	38	29	23	19	24	19	16	19	16	13	14	12	10	8
10	39	29	23	19	36	27	21	17	22	18	15	17	14	12	13	11	9	7

Total Luminaire Optical
Efficiency = 88.7%



CANDELA DISTRIBUTION

Vert. Angle	0	22.5	45	67.5	90
0	709	709	709	709	709
10	658	673	683	705	713
20	580	607	651	689	730
30	464	505	570	617	648
40	358	400	451	506	566
50	256	289	323	414	485
60	211	203	206	301	383
70	134	131	111	154	213
80	58.1	57.3	46.5	58.2	82.2
90	7.01	9.71	7.79	7.03	6.60
100	136	235	264	259	260
110	293	388	511	589	607
120	432	514	638	730	750
130	561	622	696	778	799
140	660	705	761	793	805
150	743	771	808	830	825
160	798	809	820	835	836
170	819	819	826	816	819
180	839	839	839	839	839



Lamp (2) 32w T8

Lumens: 2900 Per Lamp

Optical Distribution:
34% Direct: 66% Indirect

Day-O-Lite reserves the right to change product specifications without notice for product improvement.