

Features

NAS-2062 is one of the newest products within the New Age series. NAS-2062's contemporary style and modern Zero Plenum Design is the ideal luminaire for office and healthcare applications. NAS-2062 provides high performance lighting while also providing high efficiency. NAS-2062 is available in 2' x 2' and 2' x 4'.

Specifications

HOUSING: Die formed 20-gauge cold rolled steel housing. Housing has an access plate on top with two 7/8" diameter knockouts.

SHIELDING: Diffuser is a clear linear ribbed acrylic lens providing high transmission while obscuring lamp image.

REFLECTOR: Die formed .020 aluminum, minimum 90% reflectivity finished in low glare matte baked white enamel.

ELECTRICAL: Ballast is electronic, low-profile, universal voltage 120/277, high power factor, thermally protected, sound rated A with less than 10% total harmonic distortion. The minimum number of ballasts will be used unless otherwise specified. Please consult factory for lamp/ballast availability.

BALLAST DISCONNECT: Luminaires are pre-wired with integrated locking disconnects.

MOUNTING: Standard installation is in an exposed inverted T-bar ceiling. Fixtures are supplied with four support brackets for additional support to T-bar. See Mounting Options pages for additional mounting.

FINISH: Fixture housing and steel components are finished in baked white enamel applied over a five-stage pretreatment process.

LAMPS: Fixtures are provided for use with T5 or T5HO lamps. (Supplied by Others)

CERTIFICATION: Luminaires are U.L. Listed, C.S.A. certified and are Union Made in the United States of America. I.B.E.W.

TYPE

Ordering Guide

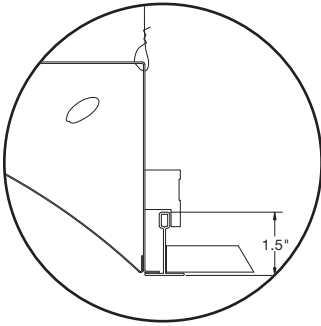
MODEL NO.	SHIELDING	NUMBER OF LAMPS	LAMPS	SIZE	MOUNTING	FINISH	VOLTAGE	OPTIONS
NAS-2062								
NAS-2062	ARL = Acrylic Ribbed Lens PF = Perforated Metal with Overlay	2	T5 T5HO	22 = 2 x 2 24 = 2 x 4	G = Standard Lay-in Grid MG = Miniature Grid F = Flanged	W = White CC = Custom Color	UNV = 120/277	DIM = Dimming Ballast EPC = Emergency Battery Pack EMC = Emergency Circuit TCW = Two Circuit Wiring OTH = Other options available, see page 355

Example » NAS-2062 | ARL | 2T5 | 22 | G | W | UNV

New Age Series with acrylic linear ribbed lens, two 14 watt T5 lamps, 2 x 2 fixture grid mounted, finished in baked white enamel, universal voltage electronic ballast less than 10% total harmonic distortion.

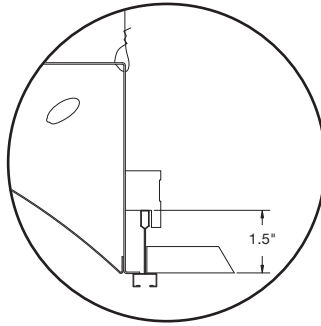
Linear Sections and Suspension Location

MOUNTING "G"



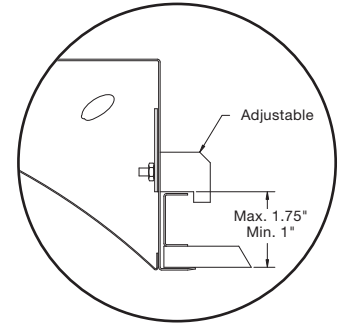
Std. 1 1/2" Inverted "T" Bar

MOUNTING "MG"



1 1/2" Miniature Grid Ceiling

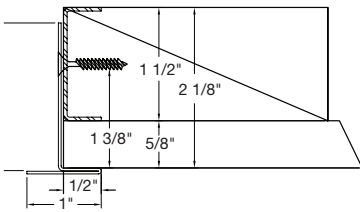
MOUNTING "F"



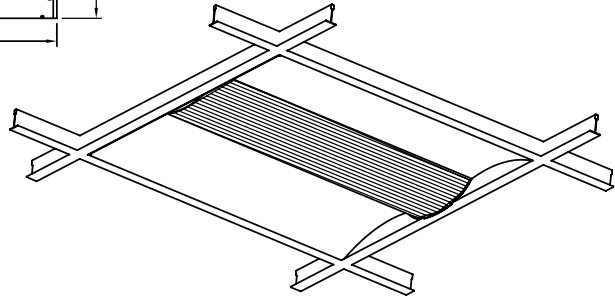
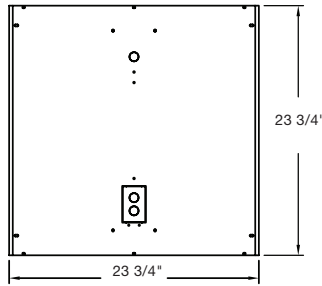
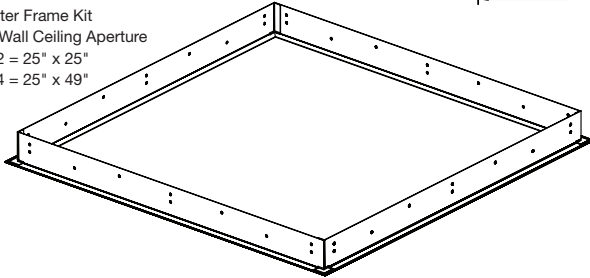
Plaster Or Dry Wall Ceiling
(Optional)

Installation Preparation

Plaster Frame Detail (All 4 Sides)



Plaster Frame Kit
Dry Wall Ceiling Aperture
2 x 2 = 25" x 25"
2 x 4 = 25" x 49"



Photometry

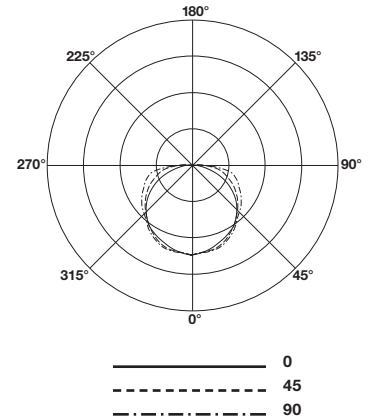
COEFFICIENTS OF UTILIZATION-ZONAL CAVITY METHOD

pfc = 0.20

pcc	.8			.7			.5			.3			.1			0		
	.7	.5	.3	.1	.7	.5	.3	.1	.5	.3	.1	.5	.3	.1	.5	.3	.1	0
RCR																		
0	86	86	86	86	84	84	84	84	80	80	80	77	77	77	74	74	74	72
1	79	75	72	69	77	73	70	68	70	68	66	67	65	64	61	61	61	60
2	72	66	61	56	70	64	60	56	62	58	54	59	56	53	51	51	51	50
3	65	58	52	47	64	57	51	47	54	50	46	52	48	45	43	43	43	43
4	60	51	45	40	58	50	45	40	49	44	39	47	43	39	37	37	37	37
5	55	46	40	35	54	45	39	35	44	38	34	42	38	34	32	32	32	32
6	51	42	35	31	50	41	35	31	40	34	30	38	34	30	28	28	28	28
7	48	38	32	27	46	37	31	27	36	31	27	35	30	27	25	25	25	25
8	44	35	29	24	43	34	28	24	33	28	24	32	28	24	23	23	23	22
9	42	32	26	22	40	31	26	22	31	25	22	30	25	22	20	20	20	20
10	39	29	24	20	38	29	24	20	28	23	20	28	23	20	18	18	18	18

CANDELA DISTRIBUTION

Vert. Angle	0	22.5	45	67.5	90
0	1599	1599	1599	1599	1599
10	1566	1563	1575	1587	1598
20	1470	1468	1481	1505	1532
30	1273	1293	1337	1365	1394
40	951	1002	1108	1169	1191
50	587	656	814	915	952
60	320	376	545	694	741
70	179	208	342	516	572
80	76.6	101	181	309	364
90	13.1	30.3	47.2	55.6	58.1



Total Luminaire Optical Efficiency = 72.0%



Optical Distribution:
100% Direct

Lamp (2) 28w T5

Lumens: 2900 Per Lamp

Day-O-Lite reserves the right to change product specifications without notice for product improvement.