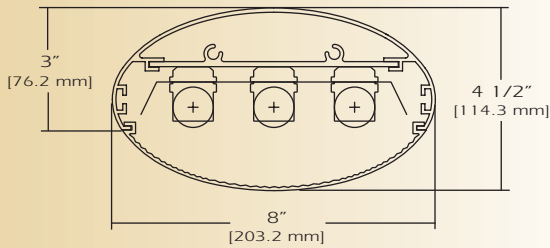


Special Profiles

AD-FOB-D



TYPE _____

FEATURES

The AD FOB D is the suspended mounted variation of this complete family of luminaires. A smooth laser cut welded end finishes the graceful elliptical contour of the extruded aluminum profile. The AD FOB D can be provided with a radial aluminum baffle or acrylic ribbed lens for a variety of functions and appearances. The computer designed optical system creates a wide symmetric glare-free direct distribution. These fixtures can be mounted individually, in continuous runs or patterns.

SPECIFICATIONS

- Housing:** One-piece heavy gauge extruded aluminum 6063T5 alloy-welded construction forming an 8" by 4 1/2" ellipse profile. Finished end caps are welded to the housing with no exposed hardware or knockouts.
- Reflector:** Die formed 20-gauge cold rolled steel minimum 90% reflectivity finished in high gloss baked white enamel.
- Shielding:** Standard lens is extruded acrylic with linear ribs (ARL) for efficient light distribution. Optional radial aluminum baffle (RAB) is available.
- Electrical:** Ballast is electronic, high power factor, thermally protected class P, sound rated A, with less than 20% total harmonic distortion. The minimum number of ballasts will be used unless otherwise specified.
- Mounting:** Standard Installation is an adjustable self-locking aircraft cable assembly 48" x 3/32" in diameter with 5" canopy. One 16/4 SJT straight 54" cord is provided per power feed. Standard pendants are available in 24" lengths. See Accessories for additional mounting.
- Finish:** Fixture housing and steel components are finished in baked white enamel applied over a five-stage pretreatment process.
- Lamps:** Fixtures are provided for use with one, two or three 32 watt T8 lamps or 54 watt T5 HO lamps. (Supplied by Others)
- Certification:** Luminaires are U. L. Listed, C. S. A. certified and are Union Made in the United States of America I.B.E.W.

ORDERING GUIDE

MODEL NO.	DIRECTION	SHIELDING	NO. OF LAMPS	LAMPS	MOUNTING	LENGTH	FINISH	VOLTAGE	OPTIONS
AD-FOB	D								
AD-FOB	D=Direct	ARL=Acrylic Ribbed Lens RAB=Radial Aluminum Baffle	1 2 3	17T8 25T8 32T8 14T5 21T5 28T5 24T5 HO 39T5 HO 54T5 HO O=Other Specify	AC= Cable PD= Pendant See Accessories	2 3 4 6 8 for other, please enter row length (eg. 48=48ft)	W= White CC= Custom Color	120v 277v	See Options Below

Example: **AD FOB-D-ARL-2-32T8-AC-4'-W-120V**
 AD FOB direct luminaire with acrylic ribbed lens for two 32watt T8 lamps with two 48 inch air craft cable and power feed four foot fixture finished in baked white enamel 120V electronic ballast less than 20% total harmonic distortion.

OPTIONS

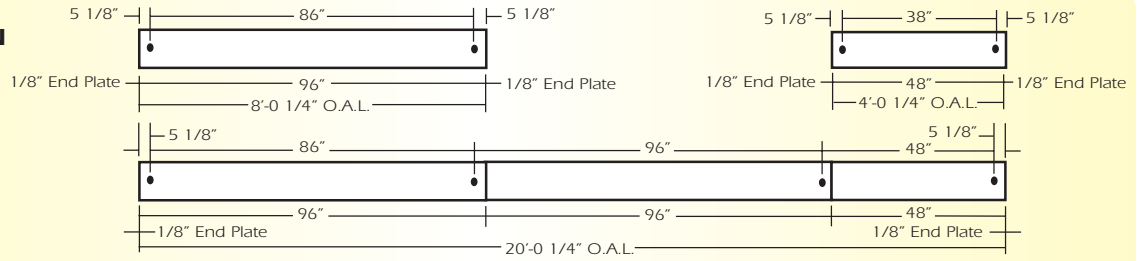
- E10=** Electronic ballast, high power factor, thermally protected class P, sound rated A, < 10% total harmonic distortion
- DIM=** Dimming Ballast
- EPC=** Emergency Battery Pack
- EMC=** Emergency Circuit
- TCW=** Two Circuit Wiring
- TDW=** Tandem Wiring
- QCW=** Quick Connect Wiring
- OTH=** See Accessories for other options available

Special Profiles

AD-FOB-D

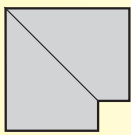
LINEAR SECTIONS AND SUSPENSION LOCATION

SUSPENSION MOUNTING

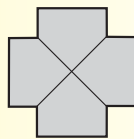


CORNERS

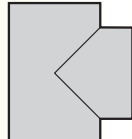
Corners and fixture extensions are custom fabricated to precise dimensions. Please indicate the specific requirements on the layout



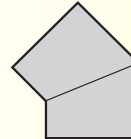
C2
90° Corner



C4
4-Way Corner (Cross)



C3
3-Way Corner (Tee)



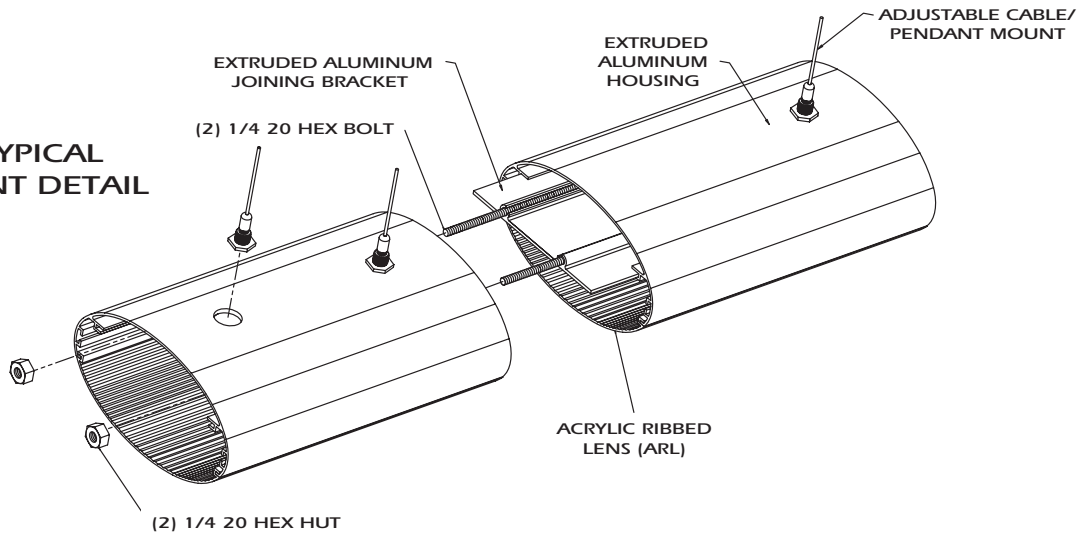
()° AC
Angular Corner

For any angular corner, ()° must be specified and dimensions must be included on the layout

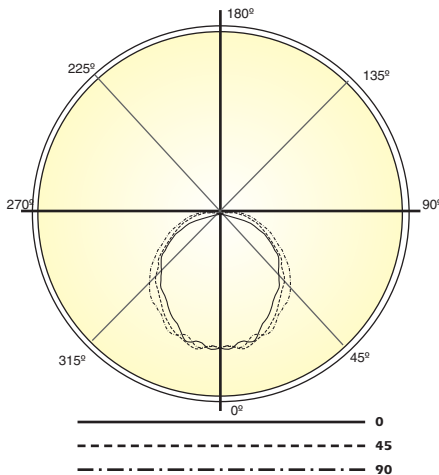
For any pattern, a layout must accompany the order.

INSTALLATION PREPARATION

TYPICAL JOINT DETAIL



PHOTOMETRY



LAMP (3) 32W T8
LUMENS: 2900 PER LAMP

Candela Distribution:

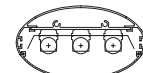
Vert. Angle	0	22.5	45	67.5	90
0	1529	1529	1529	1529	1529
5	1534	1526	1509	1512	1513
10	1471	1545	1562	1490	1538
15	1502	1473	1514	1480	1437
20	1372	1452	1456	1511	1468
25	1299	1340	1385	1426	1440
30	1204	1229	1296	1386	1340
35	1124	1135	1203	1309	1286
40	1062	1054	1117	1219	1236
45	963	994	1053	1123	1144
50	887	904	930	1010	1046
55	824	807	864	911	939
60	692	713	730	770	818
65	607	604	619	696	706
70	466	492	538	599	622
75	358	367	456	517	522
80	188	261	354	427	444
85	78.7	160	274	346	367
90	16.3	83.4	188	264	293

Optical Distribution:
100% Direct

Coefficients of Utilization - Zonal Cavity Method:

pfc = 0.20

	.8	.7	.5	.3	.1	0												
pcc	.8	.7	.5	.3	.1	0												
pw	.7	.5	.3	.1	.5	.3	.1	.5	.3	.1	0							
RCR																		
0	69	69	69	69	67	67	67	67	64	64	61	61	61	58	58	58	56	
1	62	59	56	53	60	57	55	52	54	52	50	48	49	48	46	45	45	
2	56	51	46	42	54	49	45	42	47	43	40	44	42	39	42	40	38	36
3	51	44	39	35	49	43	38	34	41	37	33	39	35	32	37	34	32	30
4	46	39	33	29	45	38	33	29	36	32	28	34	31	27	33	30	27	25
5	42	34	29	25	41	34	28	25	32	28	24	31	27	24	29	26	23	22
6	39	31	25	21	38	30	25	21	29	24	21	28	24	21	27	23	20	19
7	36	28	23	19	35	27	22	19	26	22	18	25	21	18	24	21	18	17
8	34	25	20	17	33	25	20	17	24	19	16	23	19	16	22	19	16	15
9	31	23	18	15	30	23	18	15	22	18	15	21	17	14	20	17	14	13
10	29	21	17	13	28	21	16	13	20	16	13	20	16	13	19	15	13	12



Total Luminaire Optical Efficiency = 58.8%