

Features

The G3-DI is one variation of a complete family of direct/indirect fluorescent luminaires with a unique obround profile. Constructed of die formed steel, it features uninterrupted, perfectly aligned continuous rows. The G3-DI series can be furnished in a wide variety of perforated accent patterns in addition to the standard solid side panels. The computer designed optical system creates a widespread indirect distribution while the direct radial baffle provides visual contrast and excellent task lighting.

Specifications

HOUSING: Two piece die formed 20-gauge cold rolled steel welded construction forming a 4" x 12" rounded profile. Finished end caps are laser cut 16-gauge cold rolled steel, with no exposed hardware or knockouts. Intermediate end caps are provide to eliminate light leaks and for precision alignment of continuous rows.

REFLECTOR: Die formed 20-gauge cold rolled steel minimum 90% reflectivity finished in high gloss baked white enamel.

BAFFLE: One-piece laser cut 20-gauge steel 4 foot long, steel cross baffle. The radius cross blades are 1" high and spaced 2" on center. The baffle is installed by lift and shift method and finished in matte white.

ELECTRICAL: Ballast is electronic, universal voltage 120/277, high power factor, thermally protected, sound rated A with less than 10% total harmonic distortion. Luminaires in rows are pre-wired with quick connect through wiring. The minimum number of ballasts will be used unless otherwise specified.

BALLAST DISCONNECT: Luminaires are pre-wired with integrated locking disconnects.

MOUNTING: Standard Installation is an adjustable self-locking aircraft cable assembly 48" x 3/32" in diameter with 5" canopy. One 16/4 SJT straight 54" cord is supplied with each power feed. Standard pendants are available in 24" lengths. See Mounting Options pages for additional mounting.

FINISH: Fixture housing and steel components are finished in baked white enamel applied over five-stage pretreatment.

LAMPS: Fixtures are provided for use with two T8, T5 or T5HO lamps. (Supplied by Others)

CERTIFICATION: Luminaires are U. L. Listed, C.S.A. certified and are Union Made in the United States of America I.B.E.W.

TYPE

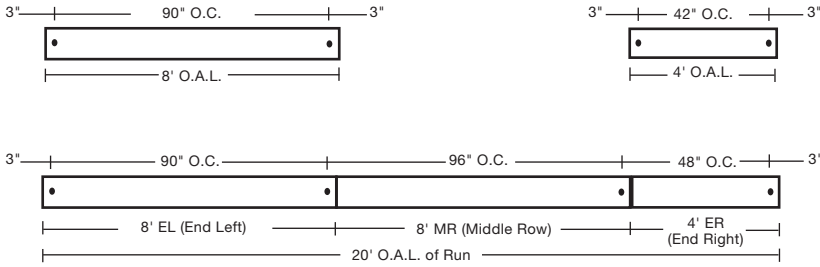
Ordering Guide

MODEL NO.	DIRECTION	SHIELDING	NUMBER OF LAMPS	LAMPS	MOUNTING	ROW LENGTH	FINISH	VOLTAGE	OPTIONS
G3	DI	1							
G3	DI = Direct/ Indirect DI10% = Direct/ 10% Indirect D = Direct	1 = Solid Other shielding options avail- able, see page 360	2 3	T8 T5 T5HO	AC = Cable PD = Pendant S = Surface Other mount- ing options available, see pgs. 357-359	4 = 4 ft 8 = 8 ft For other, please enter row length (eg. 48 = 48 ft)	W = White CC = Custom Color	UNV = 120/277	DIM = Dimming Ballast EPC = Emergency Battery Pack EMC = Emergency Circuit TCW = Two Circuit Wiring OTH = Other options available, see page 355

Example » **G3** | **DI** | **7** | **2T8** | **AC** | **4** | **W** | **UNV**

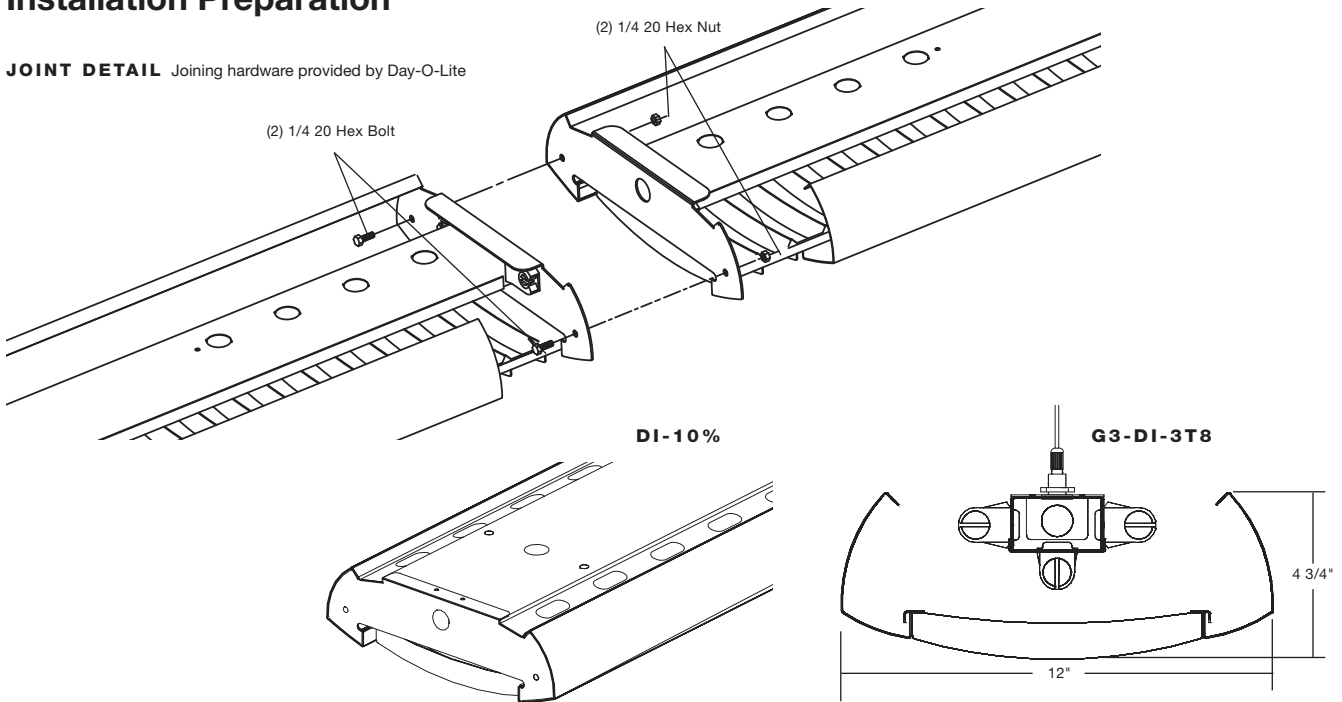
Generation Three with rectangular continuous sections for two 32 watt T8 lamps with two 48 inch aircraft cables and power feed four foot fixture finished in baked white enamel with universal voltage electronic ballast less than 10% total harmonic distortion.

Linear Sections and Suspension Location



Installation Preparation

JOINT DETAIL Joining hardware provided by Day-O-Lite



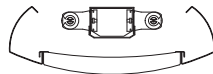
Photometry

COEFFICIENTS OF UTILIZATION-ZONAL CAVITY METHOD

pfc = 0.20

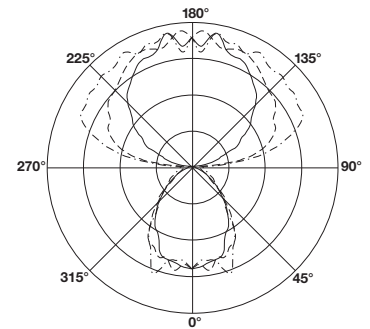
pcc	.8		.7		.5		.3		.1		0							
pw	.7	.5	.3	.1	.7	.5	.3	.1	.5	.3	.1	0						
RCR																		
0	86	86	86	86	77	77	77	77	62	62	62	47	47	34	34	34	28	
1	78	75	72	69	71	68	65	63	54	53	51	42	41	40	31	30	29	24
2	71	66	61	57	64	59	55	52	48	45	43	37	35	34	27	26	25	21
3	65	58	52	48	59	53	48	44	42	39	36	33	31	29	24	23	22	18
4	60	51	45	40	54	47	41	37	38	34	31	30	27	25	22	20	19	15
5	55	46	39	35	49	42	36	32	34	30	27	27	24	21	20	18	16	13
6	50	41	34	30	45	37	32	28	30	26	23	24	21	19	18	16	14	12
7	47	37	31	26	42	34	28	24	27	23	20	22	19	17	16	14	13	11
8	43	33	27	23	39	30	25	21	25	21	18	20	17	15	15	13	12	9
9	40	30	24	20	36	28	22	19	23	19	16	18	15	13	14	12	10	8
10	37	28	22	18	34	25	20	17	21	17	14	17	14	12	13	11	9	8

Total Luminaire Optical Efficiency = 83.2%



CANDELA DISTRIBUTION

Vert. Angle	0	22.5	45	67.5	90
0	641	641	641	641	641
5	648	653	621	642	653
15	587	638	631	702	736
25	536	584	616	718	707
35	448	505	558	644	651
45	339	386	437	397	382
55	250	282	226	211	218
65	159	146	106	121	139
75	79.5	70.2	55.9	82.4	117
85	21.9	8.0	15.5	12.4	8.57
95	66.9	118	130	150	142
105	185	281	394	451	458
115	309	420	521	613	661
125	413	500	651	706	724
135	519	613	706	783	815
145	597	662	748	797	816
155	695	709	759	815	822
165	704	776	764	773	723
175	722	750	691	735	734
180	768	768	768	768	768



— 0
- - - 45
- · - · 90
Lamp (2) 32w T8
Lumens: 2900 Per Lamp

34% Direct: 66% Indirect

Day-O-Lite reserves the right to change product specifications without notice for product improvement.