

Features

The PTP architectural linear series is an extraordinarily efficient steel luminaire. The PTP D is designed for surface or suspended mounting. This series can be mounted individually, in perfectly aligned continuous rows or in any of combination of patterns. This series is available with an almost limitless variety of shielding. The PTP series is an ideal solution for open spaces and provides maximum design versatility.

Specifications

HOUSING: Die formed 20 gauge cold rolled steel welded construction, bottom of housing has a 3/8" regression for structural rigidity and conformity. Joiner ends are notched below the lamps for ease of installation and continuous baffle appearance. Finished end caps are laser cut 18 gauge cold rolled steel, with no exposed hardware or knockouts. Housing aligners provide precision alignment for continuous rows.

REFLECTOR: Die formed 20-gauge cold rolled steel minimum 90% reflectivity finished in high gloss baked white enamel.

SHIELDING: Parabolic louver is semi-specular low iridescence aluminum 1 1/2" x 2" O.C. with 24 cells per 4' section.

ELECTRICAL: Ballast is electronic, universal voltage 120/277, high power factor, thermally protected, sound rated A with less than 10% total harmonic distortion. Luminaires in rows are pre-wired with quick connect through wiring. The minimum number of ballasts will be used unless otherwise specified.

BALLAST DISCONNECT: Luminaires are pre-wired with integrated locking disconnects.

MOUNTING: Standard Installation is an adjustable self-locking aircraft cable assembly 48" x 3/32" in diameter with 5" canopy. One 16/4 SJT straight 54" cord is supplied with each power feed. Standard pendants are available in 24" lengths. See Mounting Options pages for additional mounting.

FINISH: Fixture housing and steel components are finished in baked white enamel applied over a five-stage pretreatment process.

LAMPS: Fixtures are provided for use with one, two or three T8, T5 or T5HO lamps. (Supplied by Others)

CERTIFICATION: Luminaires are U. L. Listed, C.S.A. certified and are Union Made in the United States of America. I.B.E.W.

TYPE

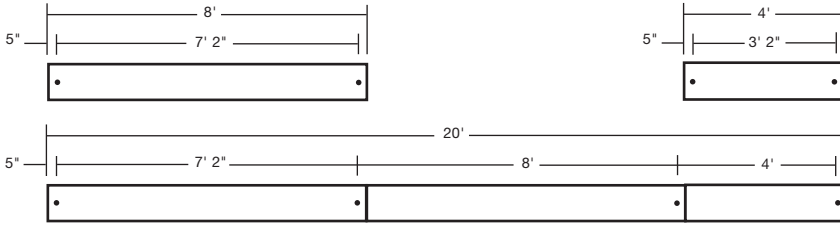
Ordering Guide

| MODEL NO. | DIRECTION | SHIELDING | NUMBER OF LAMPS | LAMPS | MOUNTING | ROW LENGTH | FINISH | VOLTAGE | OPTIONS |
|------------|-------------------|---|----------------------------------|---------------------------------------|--|---|--|----------------------|---|
| PTP | D | | | | | | | | |
| PTP | D = Direct | PBL = Parabolic Louver SCB = Steel Cross Baffle PRS = Prismatic Acrylic WOA = White Opal Acrylic | 1 2 3 | T8 T5 T5HO | AC = Cable PD = Pendant S = Surface Other mounting options available, see pgs. 357-359 | 2 = 2 ft 3 = 3 ft 4 = 4 ft 5 = 5 ft 6 = 6 ft 8 = 8 ft For other, please enter row length (eg. 48 = 48 ft) | W = White CC = Custom Color | UNV = 120/277 | PT3 = Parabolic Reflector (for parabolic louver) DIM = Dimming Ballast EPC = Emergency Battery Pack EMC = Emergency Circuit TWC = Two Circuit Wiring OTH = Other options available, see page 355 |

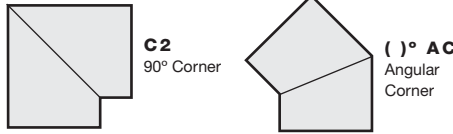
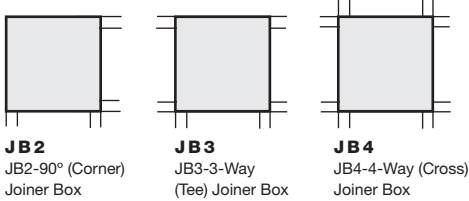
Example » PTP | D | PBL | 2T8 | AC | 4 | W | UNV

PTP direct with parabolic louver for two 32 watt T8 lamps including two 48 inch aircraft cables and power feed four foot fixture finished in baked white universal voltage electronic ballast less than 10% total harmonic distortion.

Linear Sections and Suspension Location



JOINERS



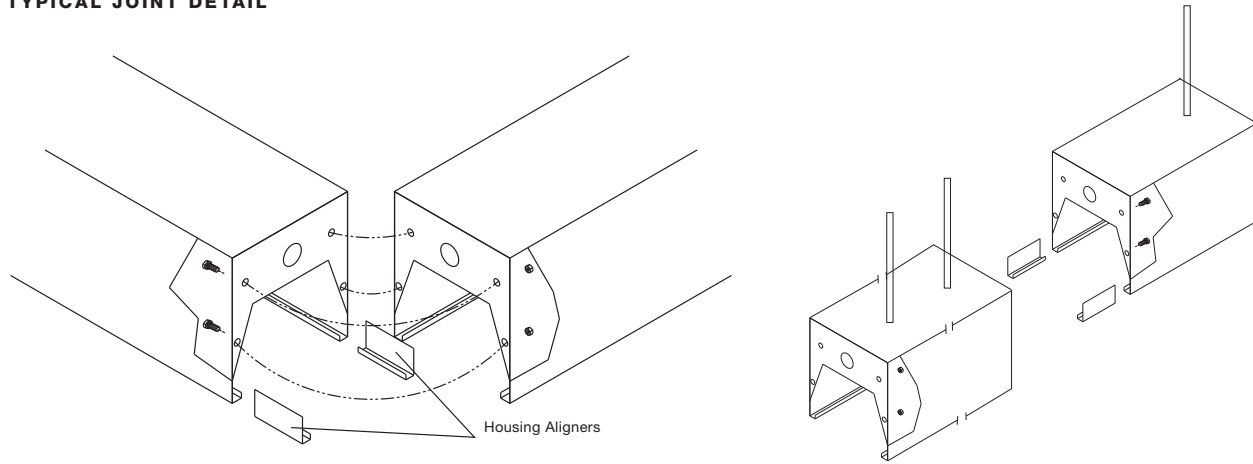
CORNERS Corners and fixture extensions are custom fabricated to precise dimensions. Please indicate the specific requirements on the layout

For any angular corner, ()° must be specified and dimensions must be included on the layout

For any pattern, a layout must accompany the order.

Installation Preparation

TYPICAL JOINT DETAIL



Photometry

COEFFICIENTS OF UTILIZATION - ZONAL CAVITY METHOD

pfc = 0.20

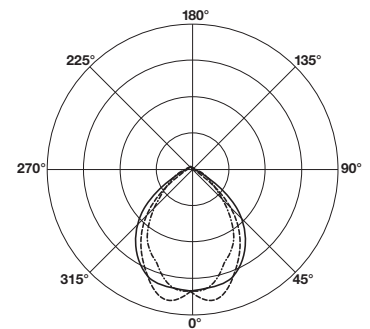
| pcc | .8 | | | | .7 | | | | .5 | | | | .3 | | | | .1 | | | | 0 |
|------------|----|----|----|----|----|----|----|----|----|----|----|----|----|----|----|----|----|----|----|----|---|
| pw | .7 | .5 | .3 | .1 | .7 | .5 | .3 | .1 | .5 | .3 | .1 | .5 | .3 | .1 | .5 | .3 | .1 | .5 | .3 | .1 | 0 |
| RCR | | | | | | | | | | | | | | | | | | | | | |
| 0 | 61 | 61 | 61 | 61 | 59 | 59 | 59 | 59 | 57 | 57 | 57 | 54 | 54 | 54 | 52 | 52 | 52 | 51 | | | |
| 1 | 57 | 55 | 54 | 52 | 56 | 54 | 53 | 51 | 52 | 51 | 50 | 50 | 49 | 48 | 46 | 46 | 46 | 46 | | | |
| 2 | 53 | 50 | 47 | 45 | 52 | 49 | 46 | 44 | 47 | 45 | 43 | 46 | 44 | 42 | 41 | 41 | 41 | 41 | | | |
| 3 | 49 | 45 | 42 | 39 | 48 | 44 | 41 | 39 | 43 | 40 | 38 | 41 | 39 | 37 | 36 | 36 | 36 | 36 | | | |
| 4 | 46 | 41 | 37 | 34 | 45 | 40 | 37 | 34 | 39 | 36 | 34 | 38 | 35 | 33 | 32 | 32 | 32 | 32 | | | |
| 5 | 43 | 37 | 33 | 30 | 42 | 37 | 33 | 30 | 36 | 32 | 30 | 35 | 32 | 30 | 29 | 29 | 29 | 28 | | | |
| 6 | 40 | 34 | 30 | 27 | 39 | 33 | 30 | 27 | 33 | 29 | 27 | 32 | 29 | 27 | 26 | 26 | 26 | 26 | | | |
| 7 | 37 | 31 | 27 | 24 | 36 | 31 | 27 | 24 | 30 | 27 | 24 | 29 | 26 | 24 | 23 | 23 | 23 | 23 | | | |
| 8 | 35 | 29 | 25 | 22 | 34 | 28 | 25 | 22 | 28 | 24 | 22 | 27 | 24 | 22 | 21 | 21 | 21 | 21 | | | |
| 9 | 33 | 26 | 23 | 20 | 32 | 26 | 23 | 20 | 26 | 22 | 20 | 25 | 22 | 20 | 19 | 19 | 19 | 19 | | | |
| 10 | 31 | 25 | 21 | 18 | 30 | 24 | 21 | 18 | 24 | 21 | 18 | 23 | 20 | 18 | 17 | 17 | 17 | 17 | | | |

Total Luminaire Optical
Parabolic Louver
Efficiency = 50.7%



CANDELA DISTRIBUTION

| Vert. Angle | 0 | 22.5 | 45 | 67.5 | 90 |
|-------------|------|------|------|------|------|
| 0 | 1654 | 1654 | 1654 | 1654 | 1654 |
| 5 | 1639 | 1617 | 1620 | 1637 | 1604 |
| 10 | 1536 | 1573 | 1583 | 1591 | 1582 |
| 15 | 1467 | 1533 | 1523 | 1503 | 1498 |
| 20 | 1434 | 1463 | 1442 | 1437 | 1432 |
| 25 | 1368 | 1377 | 1343 | 1351 | 1375 |
| 30 | 1263 | 1258 | 1222 | 1211 | 1231 |
| 35 | 1152 | 1134 | 1072 | 1076 | 1098 |
| 40 | 1024 | 992 | 916 | 898 | 891 |
| 45 | 879 | 814 | 739 | 702 | 724 |
| 50 | 655 | 593 | 523 | 539 | 567 |
| 55 | 370 | 326 | 333 | 405 | 471 |
| 60 | 128 | 124 | 184 | 315 | 422 |
| 65 | 36.6 | 35.5 | 75.8 | 174 | 253 |
| 70 | 14.0 | 12.0 | 21.4 | 52.8 | 76.4 |
| 75 | 6.88 | 6.35 | 7.70 | 12.3 | 18.6 |
| 80 | 3.03 | 3.15 | 3.44 | 4.44 | 4.86 |
| 85 | 1.08 | 1.16 | 1.40 | 1.43 | 1.18 |
| 90 | 0.16 | 0.11 | 0.11 | 0.18 | 0.06 |



— 0
- - - 45
- · - · 90

Lamp (2) 32w T8

Lumens: 2900 Per Lamp

Parabolic Louver

Optical Distribution:
100% Direct

Day-O-Lite reserves the right to change product specifications without notice for product improvement.