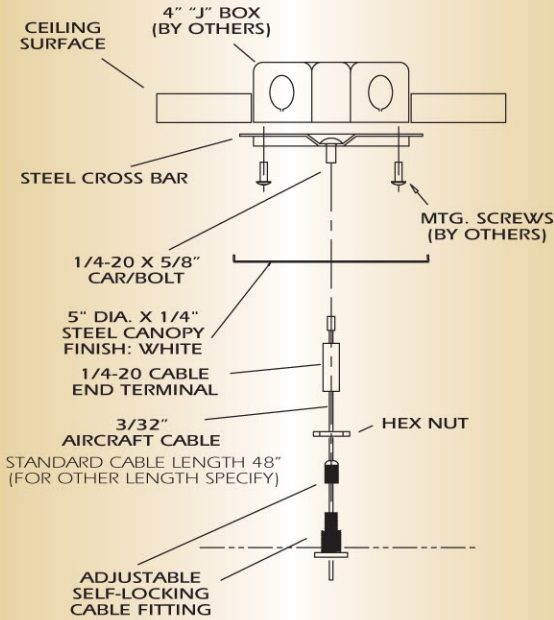


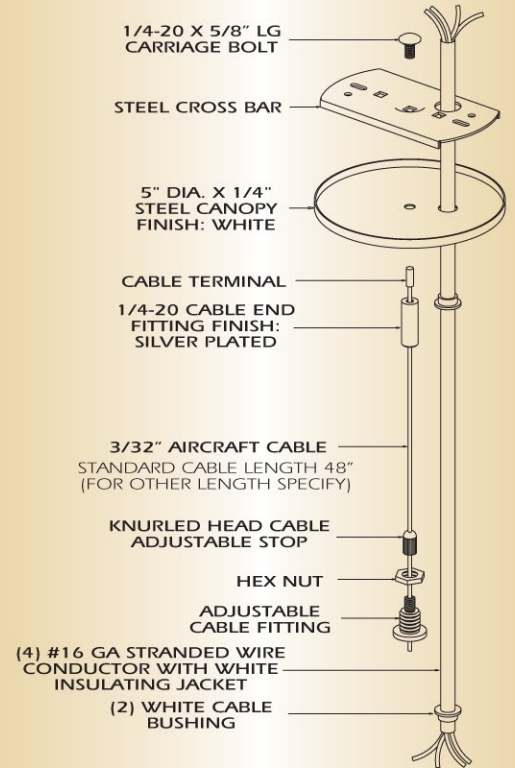
Mounting Options

CABLE & STEM

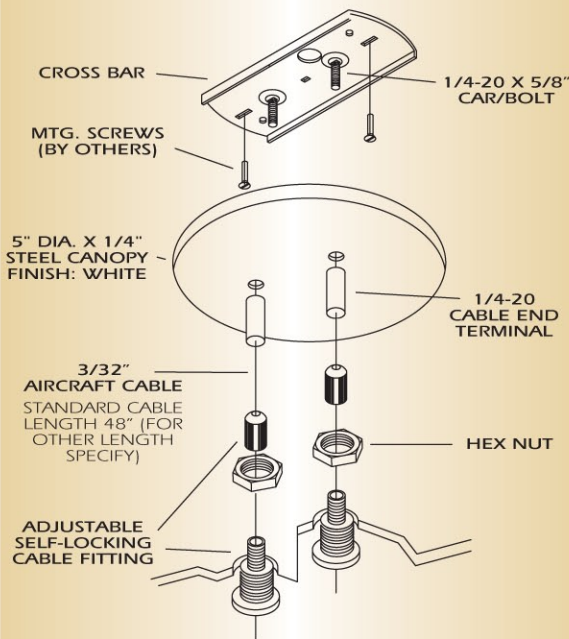
AC (STANDARD CABLE MOUNTING)



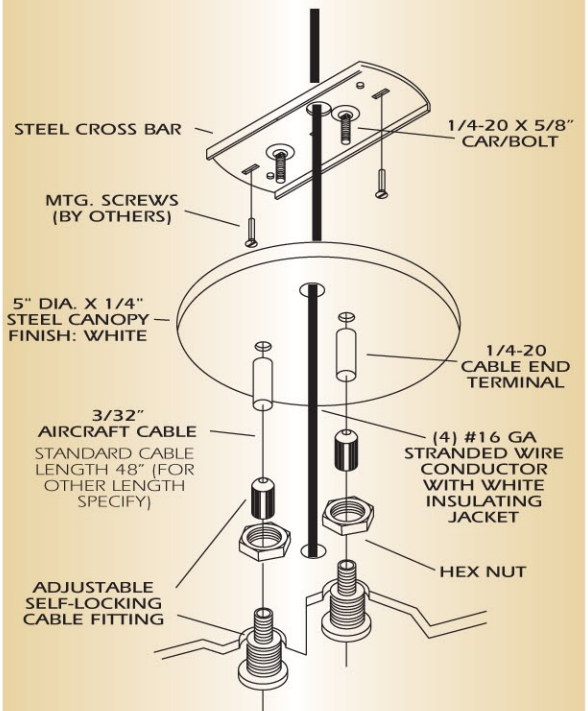
ACA (AC WITH STRAIGHT POWER FEED)



ACB (DOUBLE CABLE MOUNTING)



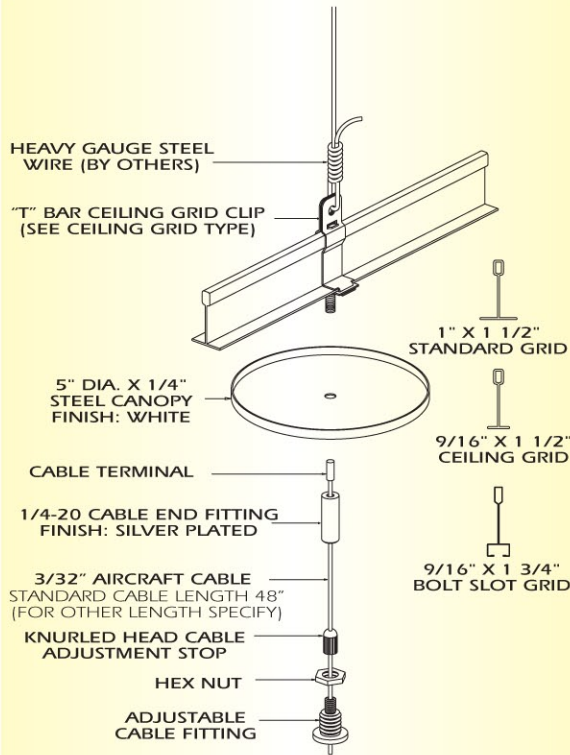
ACC (DOUBLE CABLE WITH STRAIGHT POWER FEED)



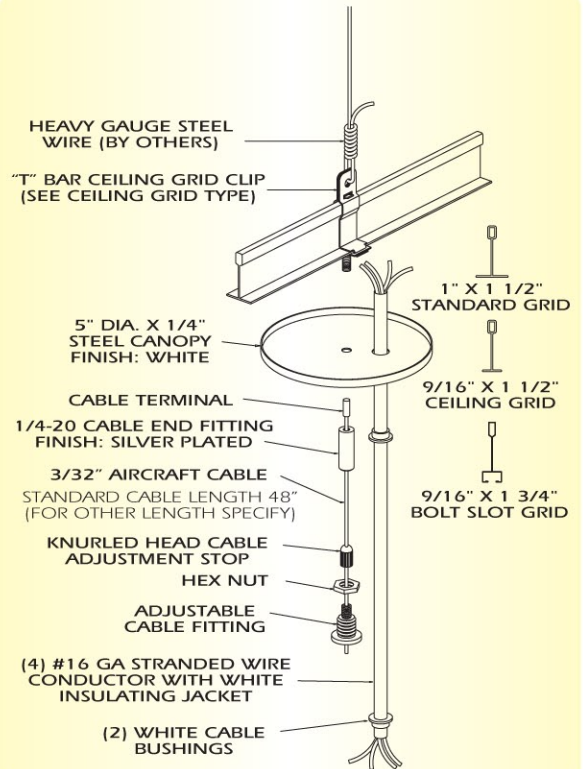
Mounting Options

CABLE & STEM

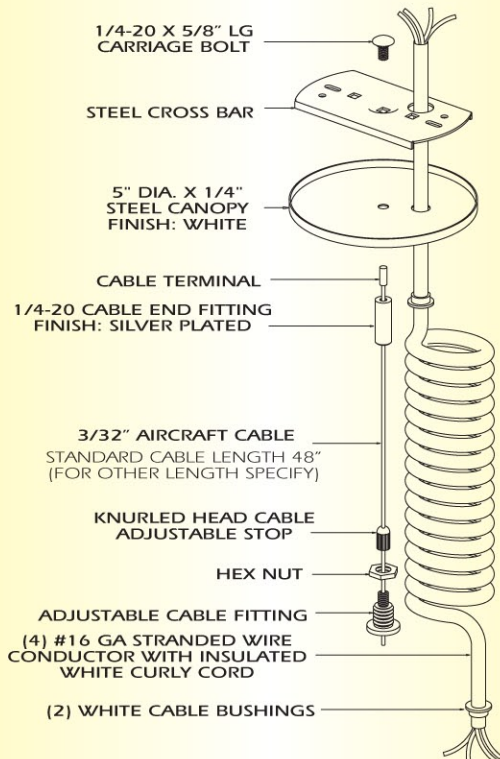
ACD (AC GRID MOUNTED)



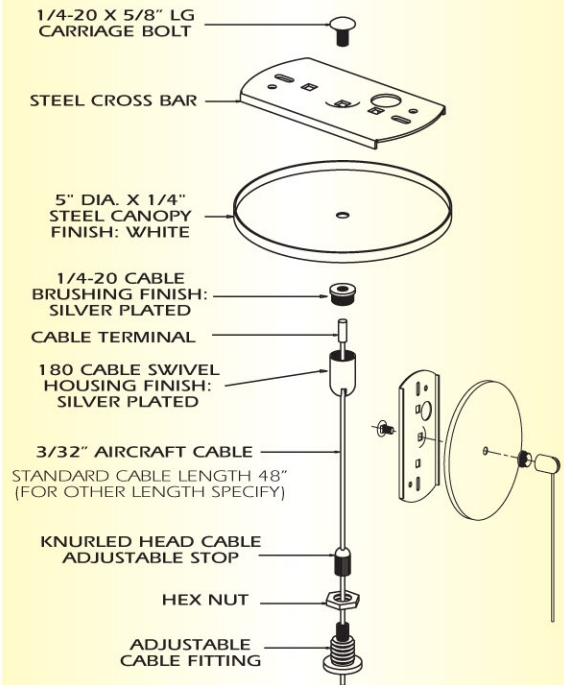
ACE (ACD WITH STRAIGHT POWER FEED)



ACF (AC WITH COILED POWER FEED)



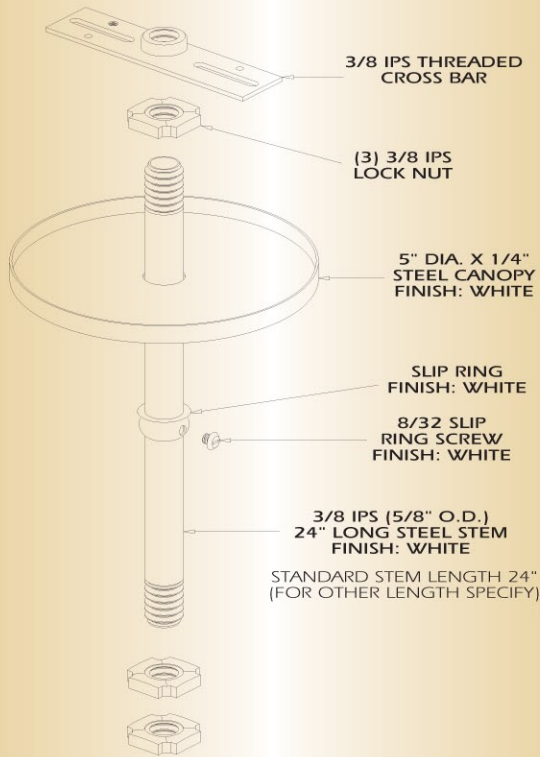
ACH (AC ANGLED ASSEMBLY)



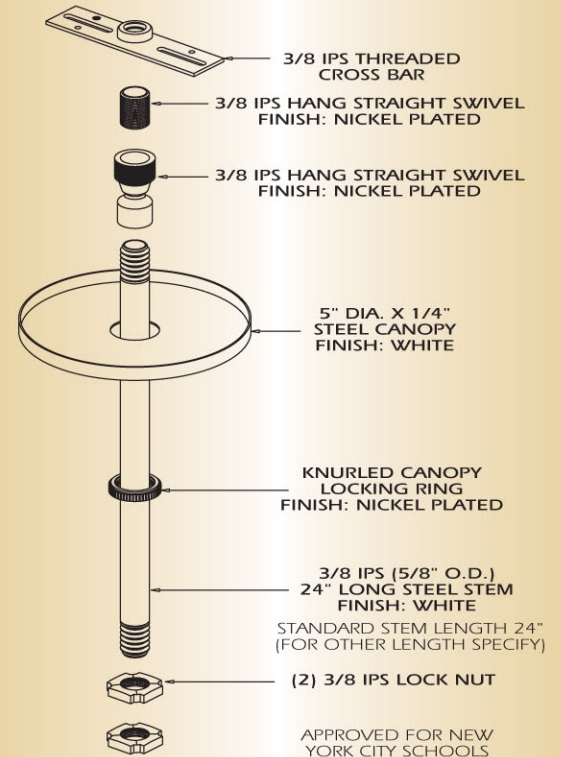
Mounting Options

CABLE & STEM

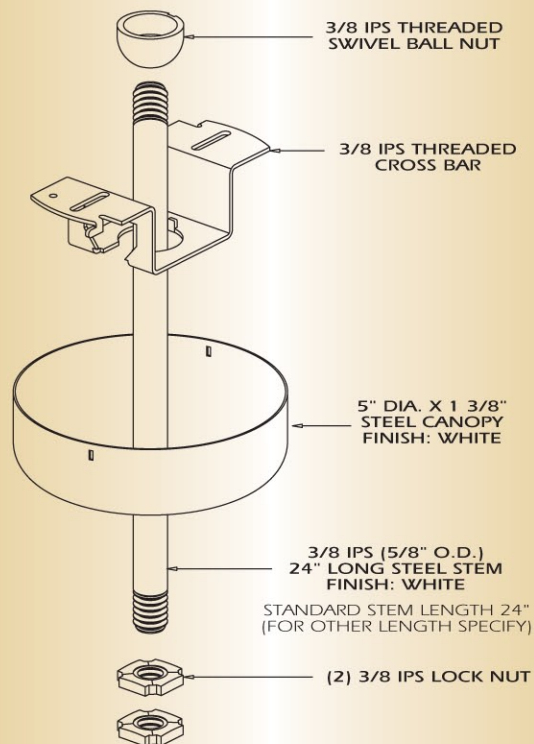
PD (RIGID MOUNTED STEM)



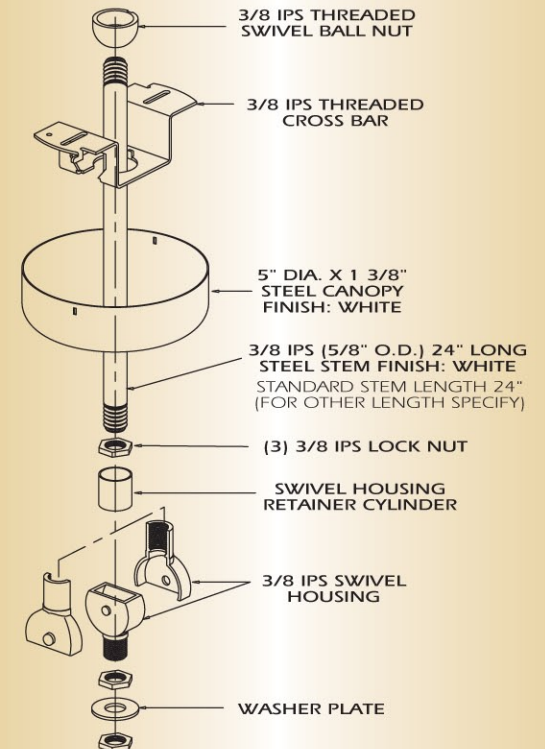
PDA (HANG STRAIGHT)



PDB (SWIVEL ASSEMBLY)



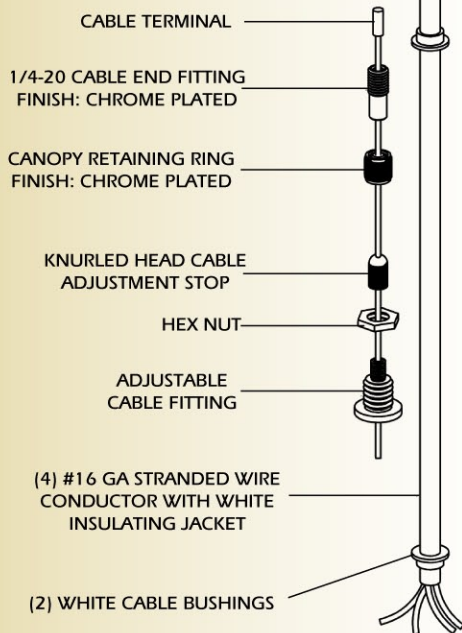
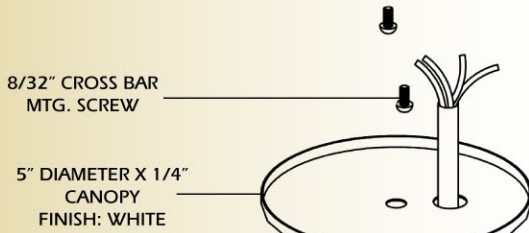
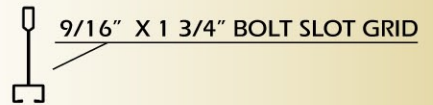
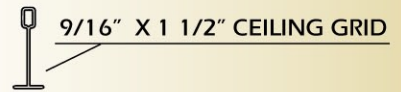
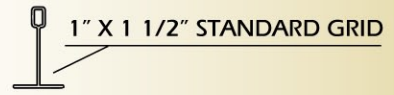
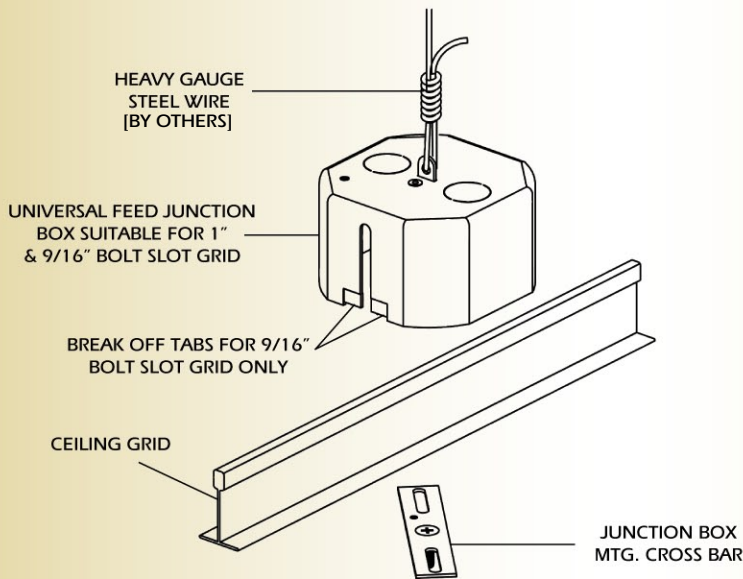
PDC (EARTH QUAKE ASSEMBLY)



Mounting Options

CABLE & STEM

ACA J-BOX (AC WITH J-BOX FOR GRID MOUNTING)



Mounting Options

SHIELDING

.5P = Specular Silver Acrylic Paracube 1/2" x 1/2" x 1/2"

.75P = Specular Silver Acrylic Paracube 3/4" x 3/4" x 1/2"

1.5P = Specular Silver Acrylic Paracube 1 1/2" x 1 1/2" x 1"

The above is also available in White, replace P with W

K19 = Acrylic Lens

DCS = Dust cover

Directional lens shielding is available please consult factory

ELECTRICAL

FFH = Fuse and Fuse Holder

RFI = Radio Frequency Filters

QCW = QUICK CONNECT WIRING

QCW = Single Circuit Quick Connect Wiring (Standard)

QCW - 2 = Two Circuit Quick Connect Wiring

QCW - 3 = Three Circuit Quick Connect Wiring

FWH = FLEXIBLE WIRING HARNESSSES

FWH - 1 = Standard is 6 feet of flex wire with two straight connectors

FWH - 2 = Six feet of flex wire with one straight connector and one 90 degree connector

FWH - 3 = Six feet of flex wire with two 90 degree connectors

GENERAL

CUSTOM COLORS AVAILABLE

Day-O-Lite will match any custom color to meet the project's requirement.

QUALITY ASSURANCE

All Day-O-Lite fixtures are pre-wired and 100% lamp tested for Quality Assurance

Day-O-Lite reserves the right to change details of design, material and finish in any way that will not alter the appearance or reduce the performance.