

## Features

The 35S8 wall mounted luminaire is distinguished by its low profile and contemporary design. This high quality luminaire is suitable for most lighting systems. The highly efficient design produces a uniform direct and indirect light distribution. The 35S8 wall mounted fixture is ideal where style quality and performance applications apply. The 35S8 is the matching luminaire to our most popular 35S10 series.

## Specifications

**HOUSING:** Two piece die formed 20-gauge cold rolled steel welded construction forming a 3 1/2" x 8" oval profile. Finished end caps are laser cut 18-gauge cold rolled steel, with no exposed hardware or knockouts.

**REFLECTOR:** Die formed 20-gauge cold rolled steel minimum 90% reflectivity finished in high gloss baked white enamel.

**SHIELDING:** Parabolic louver is semi-specular low iridescence aluminum 1 1/4" x 4" O.C. with 12 cells per 4' section. Four spring clips secure snap in baffle including two tethers.

**ELECTRICAL:** Ballast is electronic, universal voltage 120/277, high power factor, thermally protected, sound rated A with less than 10% total harmonic distortion. Luminaires in rows are pre-wired with quick connect through wiring. The minimum number of ballasts will be used unless otherwise specified.

**BALLAST DISCONNECT:** Luminaires are pre-wired with integrated locking disconnects.

**MOUNTING:** Standard installation is key slots 37 3/4" O.C. for ease of installation.

**FINISH:** Fixture housing and steel components are finished in baked white enamel applied over a five-stage pretreatment process.

**LAMPS:** Fixtures are provided for use with one, two or three T8, T5 or T5HO lamps. (Supplied by Others)

**CERTIFICATION:** Luminaires are U. L. Listed, C.S.A. certified and are Union Made in the United States of America. I.B.E.W.

TYPE

## Ordering Guide

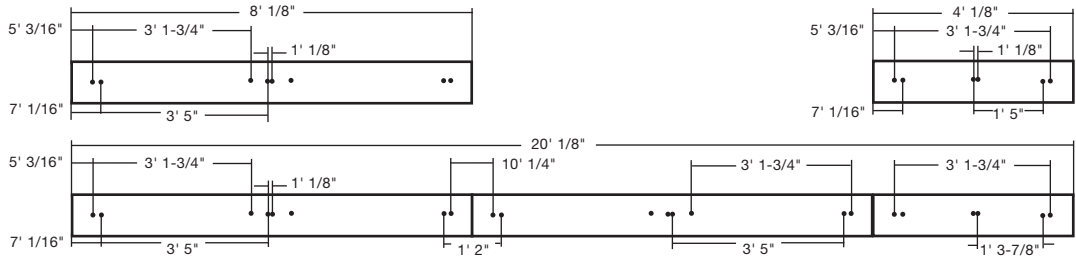
MODEL NO.	DIRECTION	SHIELDING	NUMBER OF LAMPS	LAMPS	MOUNTING	ROW LENGTH	FINISH	VOLTAGE	OPTIONS
<b>35S8</b>	<b>DI</b>								
35S8	DI = Direct/ Indirect	PBL = Parabolic Louder  SCB = Steel Cross Baffle  PRS = Prismatic Acrylic  WOA = White Opal Acrylic	1 2 3	T8 T5 T5HO	WM = Wall Mount	4 = 4 ft  8 = 8 ft  For other, please enter row length (eg. 48 = 48 ft)	W = White  CC = Custom Color	UNV = 120/277	DIM = Dimming Ballast EPC = Emergency Battery Pack EMC = Emergency Circuit TWC = Two Circuit Wiring OTH = Other options available, see page 355

**Example »** 35S8 | DI | PBL | 2T8 | WM | 4 | W | UNV

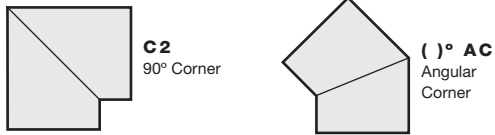
35S8 direct/indirect with parabolic louver for two 32 watt T8 lamps wall mounted four foot fixture finished in baked white enamel universal voltage electronic ballast less than 10% total harmonic distortion.



## Linear Sections and Suspension Location

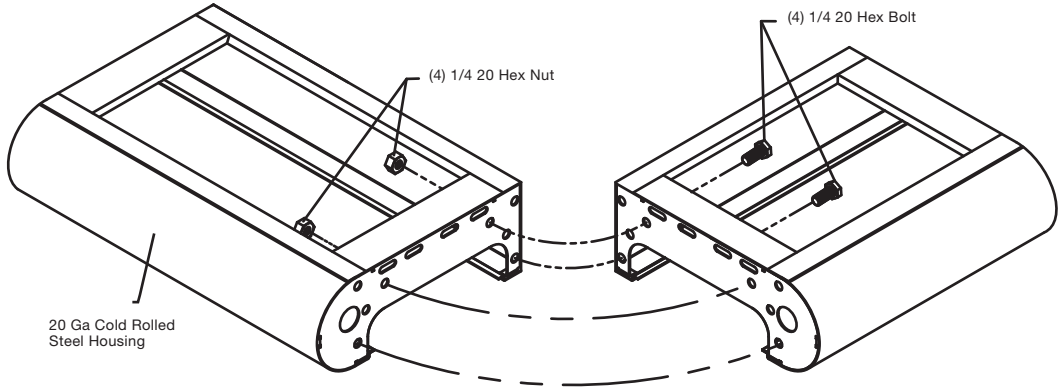


**CORNERS** Corners and fixture extensions are custom fabricated to precise dimensions. Please indicate the specific requirements on the layout



For any angular corner, ( )° must be specified and dimensions must be included on the layout  
For any pattern, a layout must accompany the order.

## Installation Preparation



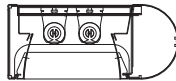
## Photometry

### COEFFICIENTS OF UTILIZATION-ZONAL CAVITY METHOD

pf<sub>c</sub> = 0.20

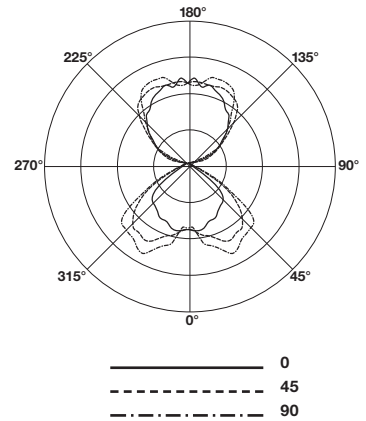
pcc	.8				.7				.5				.3				.1				0																																																																																																																																																																																	
pw	.7	.5	.3	.1	.7	.5	.3	.1	.5	.3	.1	.5	.3	.1	.5	.3	.1	.5	.3	.1	.5	.3	.1	.5	.3	.1	.5	.3	.1	.5	.3	.1	.5	.3	.1	.5	.3	.1																																																																																																																																																																
<b>RCR</b>																																																																																																																																																																																																						
<b>0</b>	96	96	96	96	88	88	88	88	73	73	73	59	59	59	46	46	46	40	88	85	81	78	81	78	75	73	65	63	61	53	52	51	40	40	40	36	81	74	69	65	74	69	64	60	57	54	52	47	45	43	35	35	35	31	74	66	60	55	68	61	55	51	51	47	44	42	39	37	30	30	30	26	68	58	52	46	62	54	48	43	45	41	37	38	34	32	25	25	25	23	62	52	45	40	57	48	42	37	41	36	32	34	30	28	22	22	22	20	57	47	39	34	52	43	37	32	37	32	28	30	27	24	19	19	19	18	53	42	35	30	48	39	33	28	33	28	25	28	24	21	17	17	17	15	49	38	31	26	45	35	29	25	30	25	22	25	22	19	15	15	15	14	45	35	28	23	42	32	26	22	27	23	20	23	20	17	14	14	14	12	42	32	25	21	39	29	24	20	25	21	18	21	18	15	12	12	12	11

Total Luminaire Optical Efficiency = 90.2%



### CANDELADISTRIBUTION

Vert.	Angle	0	22.5	45	67.5
<b>90</b>	<b>0</b>	946	946	946	946
	<b>10</b>	905	914	910	927
	<b>20</b>	845	870	898	898
	<b>30</b>	774	800	799	814
	<b>40</b>	648	681	674	652
	<b>50</b>	515	535	568	724
	<b>60</b>	307	317	395	379
	<b>70</b>	32.2	40.0	52.6	26.6
	<b>80</b>	6.05	5.50	4.28	3.36
	<b>90</b>	3.67	3.80	4.08	4.11
	<b>100</b>	121	145	108	90.6
	<b>110</b>	237	313	360	393
	<b>120</b>	372	460	518	583
	<b>130</b>	490	556	659	700
	<b>140</b>	599	646	739	818
	<b>150</b>	688	730	777	818
	<b>160</b>	748	759	785	819
	<b>170</b>	774	797	788	807
	<b>180</b>	790	790	790	790



Lamp (2) 32w T8  
Lumens: 2900 Per Lamp  
Parabolic Louver

Optical Distribution:  
45% Direct: 55% Indirect

Day-O-Lite reserves the right to change product specifications without notice for product improvement.