

## Features

The NAS-PO is one variation of a complete group of Recessed Direct/Indirect luminaires featuring a centered metal perforated lamp shield with an acrylic overlay panel to obscure direct lamp image. The centered perforated lamp shield is positioned below the ceiling plane. Lamp output is distributed over a computer designed reflector system to provide soft glare-free illumination. The NAS-PO series can be used in any installation where high performance and comfortable lighting are required.

## Specifications

**HOUSING:** Die formed 20-gauge cold rolled steel finished in baked white enamel. Housing has an access plate on top with two 7/8 " diameter knockouts.

**SHIELDING:** Die formed 20 gauge perforated steel lamp shield has a 58% opening with white acrylic .020 translucent overlay. The end caps are 18 gauge and welded to lamp shield. The hinged lamp shield is removable for easy lamp access.

**REFLECTOR:** Die formed .020 steel 90% minimum reflectivity finished in low glare matte baked white enamel.

**ELECTRICAL:** Ballast is electronic, universal voltage 120/277, high power factor, thermally protected, sound rated A with less than 10% total harmonic distortion. The minimum number of ballasts will be used unless otherwise specified.

**BALLAST DISCONNECT:** Luminaires are pre-wired with integrated locking disconnects.

**MOUNTING:** Standard installation is 2 x 4 exposed inverted T-bar ceiling. Optional trims are also available for installations in miniature grid, drywall or plaster ceiling. For mounting detail information consult factory. Four support brackets are included with each fixture.

**FINISH:** Fixture housing and steel components are finished in baked white enamel applied over a five-stage pretreatment process.

**LAMPS:** Fixtures are provided for use with T8, T5, T5HO, or compact fluorescent lamps. (Supplied by Others)

**CERTIFICATION:** Luminaires are U.L. Listed, C.S.A. certified and are Union Made in the United States of America I.B.E.W.

TYPE

## Ordering Guide

MODEL NO.	NUMBER OF LAMPS	LAMPS	SIZE	MOUNTING	FINISH	VOLTAGE	OPTIONS
<b>NAS-PO</b>			<b>24</b>				
NAS-PO	2 3	40-CF 50-CF T8 T5 T5HO	24 = 2 x 4	G = Standard Lay-in Grid MG = Miniature Grid F = Flanged	W = White CC = Custom Color	UNV = 120/277	DIM = Dimming Ballast EPC = Emergency Battery Pack EMC = Emergency Circuit TCW = Two Circuit Wiring ARS = Air return system FWH = Flexible wiring harness OTH = Other options available, see page 355

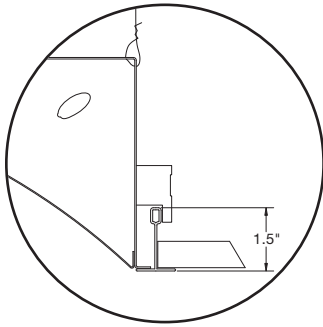
**Example »** NAS-PO | 2T8 | 24 | G | W | UNV

New Age Series with perforated lamp shield two 32 watt T8 grid fixture finished in baked white enamel universal voltage electronic ballast less than 10% harmonics.



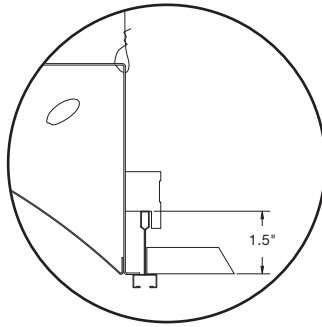
## Linear Sections and Suspension Location

**MOUNTING "G"**



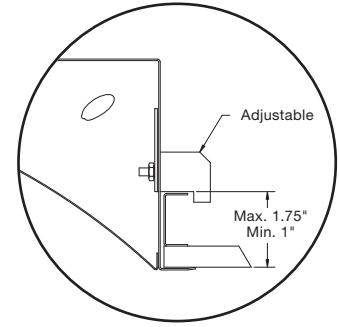
Std. 1 1/2" Inverted "T" Bar

**MOUNTING "MG"**



1 1/2" Miniature Grid Ceiling

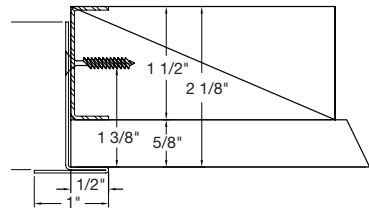
**MOUNTING "F"**



Plaster Or Dry Wall Ceiling  
(Optional)

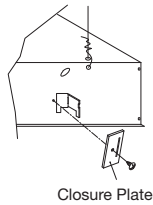
## Installation Preparation

Plaster Frame Detail (All 4 Sides)

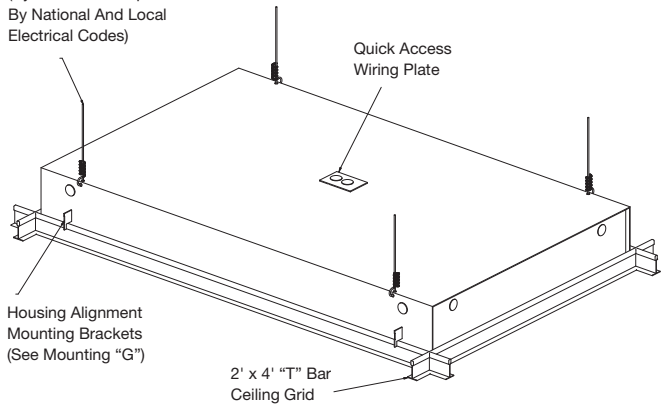


2' x 4' Plaster Frame Kit  
Dry Wall Ceiling Aperture  
25" x 49"

Side Elevation Detail  
(See Mounting "G")



Wire Ties Or Chains  
(By Others As Required  
By National And Local  
Electrical Codes)



## Photometry

### COEFFICIENTS OF UTILIZATION-ZONAL CAVITY METHOD

pfc = 0.20

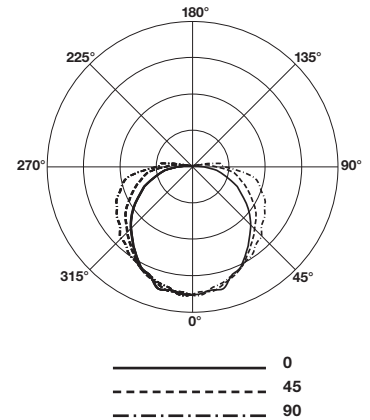
pcc	.8			.7			.5			.3			.1			0		
	.7	.5	.3	.7	.5	.3	.5	.3	.1	.5	.3	.1	.5	.3	.1	0		
<b>RCR</b>																		
0	80	80	80	80	78	78	78	78	74	74	74	70	70	70	67	67	67	65
1	71	67	63	60	69	65	62	58	61	59	56	58	56	54	55	53	52	50
2	64	57	51	47	61	55	50	46	52	48	44	50	46	43	47	44	42	40
3	58	49	43	38	55	48	42	37	45	40	36	43	39	35	41	37	34	32
4	52	43	37	31	50	42	36	31	40	35	30	38	33	29	36	32	29	27
5	48	38	32	27	46	37	31	26	35	30	26	34	29	25	32	28	25	23
6	44	34	28	23	43	33	27	23	32	26	22	30	26	22	29	25	21	20
7	41	31	25	20	39	30	24	20	29	23	20	28	23	19	26	22	19	17
8	38	28	22	18	37	27	22	18	26	21	17	25	20	17	24	20	17	15
9	35	26	20	16	34	25	20	16	24	19	15	23	19	15	22	18	15	14
10	33	24	18	14	32	23	18	14	22	17	14	21	17	14	21	16	13	12

Total Luminaire Optical  
Efficiency = 67.9%



### CANDELA DISTRIBUTION

Vert. Angle	0	22.5	45	67.5	90
0	1060	1060	1060	1060	1060
5	1026	1058	1019	1066	1056
15	1029	1012	1035	1005	974
25	911	951	942	938	946
35	805	825	847	867	886
45	698	705	747	797	828
55	553	588	646	734	745
65	418	447	530	638	684
75	271	304	416	538	589
85	118	191	284	361	382
95	9.81	58.9	135	209	248
105	2.42	9.44	14.0	21.9	29.3
115	1.79	2.24	4.09	1.56	0
125	0.68	1.02	1.54	0.72	0
135	0.36	0.74	0.84	0.31	0
145	0.17	0.35	0.37	0.30	0
155	0	0.11	0	0	0
165	0	0	0	0	0
175	0	0	0	0	0
180	0	0	0	0	0



Lamp (2) 32w T8  
Lumens: 2900 Per Lamp

Optical Distribution:  
100% Direct

Day-O-Lite reserves the right to change product specifications without notice for product improvement.