

Features

The Jazz Flat End DI Wall Mount is one variation of a complete family of direct/indirect fluorescent luminaires. Constructed of perforated steel, it features uninterrupted, perfectly aligned continuous rows. The Jazz Flat End DI Wall Mount series can be furnished with a wide variety of perforated accent patterns in addition to the standard pattern. The standard pattern is a continuous perforation 3" wide. The perforations are 1/16" holes on 3/32" straight centers. Laser cut corporate logos can also be supplied as a feature for reception areas and conference rooms. The computer designed optical system creates a widespread indirect distribution, while the variety of direct components provides useful contrast.

Specifications

- HOUSING:** One piece die formed 20-gauge cold rolled steel welded construction forming a 6 1/2" x 3 1/2" rounded profile. Continuous perforated sections are 1/16" x 3/32" straight centers with white .020 translucent overlay. Finished end caps are laser cut 18 gauge cold rolled steel with no exposed hardware or knockouts.
- REFLECTOR:** Die formed 20 gauge cold rolled steel minimum 90% reflectivity finished in high gloss baked white enamel. Die formed specular reflector is also available.
- ELECTRICAL:** Ballast is electronic, universal voltage 120/277, high power factor, thermally protected, sound rated A with less than 10% total harmonic distortion. Luminaires in rows are pre-wired with quick connect through wiring. The minimum number of ballasts will be used unless otherwise specified.
- BALLAST DISCONNECT:** Luminaires are pre-wired with integrated locking disconnects.
- MOUNTING:** Standard installation is key slots 42" OC for ease of installation.
- FINISH:** Fixture housing and steel components are finished in baked white enamel applied over a five-stage pretreatment process.
- LAMPS:** Fixtures are provided for use with T8, T5, T5HO, or compact fluorescent lamps. (Supplied by Others)
- CERTIFICATION:** Luminaires are U.L. Listed, C.S.A. certified and are Union Made in the United States of America I.B.E.W.

TYPE

Ordering Guide

MODEL NO.	DIRECTION	NUMBER OF LAMPS	LAMPS	MOUNTING	ROW LENGTH	FINISH	VOLTAGE	OPTIONS
JAZ-FE	DI							
JAZ-FE	DI = Direct/ Indirect	1 2	T8 T5 T5HO 40CF 50CF	WM = Wall Mount	2 = 2 ft 3 = 3 ft 4 = 4 ft 6 = 6 ft 8 = 8 ft For other, please enter row length (eg. 48 = 48 ft)	W = White CC = Custom Color	UNV = 120/277	DIM = Dimming Ballast EPC = Emergency Battery Pack EMC = Emergency Circuit TCW = Two Circuit Wiring OTH = Other options available, see page 355

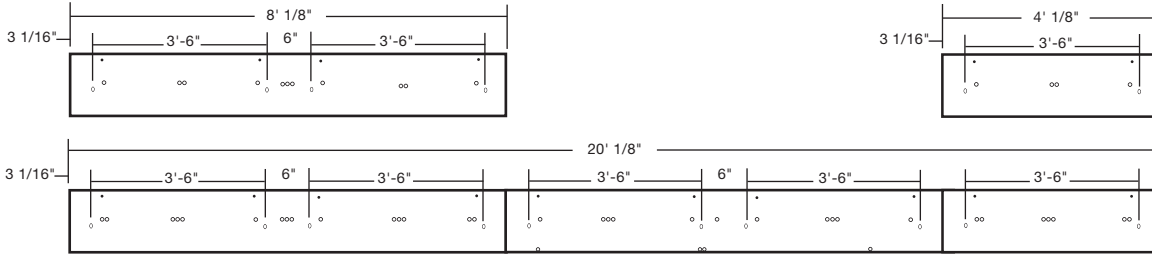
Example » JAZ-FE | DI | 2T8 | WM | 4 | W | UNV

Jazz flat end direct/indirect with continuous perforated shielding for two 32 watt T8 lamps wall mounted four foot fixture finished in baked white enamel universal voltage electronic ballast less than 10% harmonic distortion.

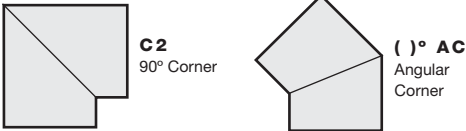


Linear Sections and Suspension Location

WALL MOUNTING



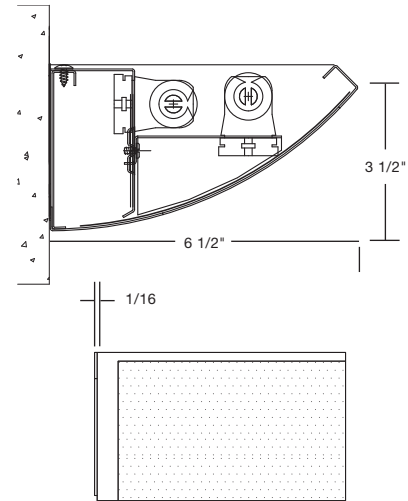
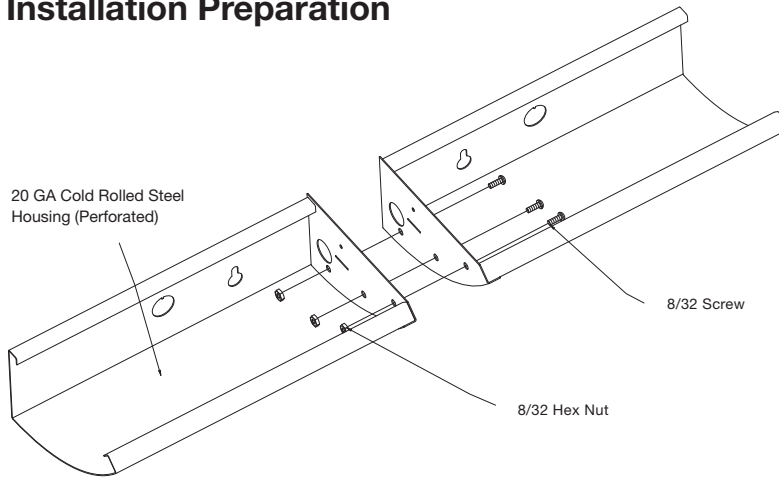
CORNERS Corners and fixture extensions are custom fabricated to precise dimensions. Please indicate the specific requirements on the layout



For any angular corner, ()° must be specified and dimensions must be included on the layout

For any pattern, a layout must accompany the order.

Installation Preparation



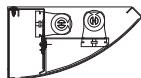
Photometry

COEFFICIENTS OF UTILIZATION-ZONAL CAVITY METHOD

pf_c = 0.20

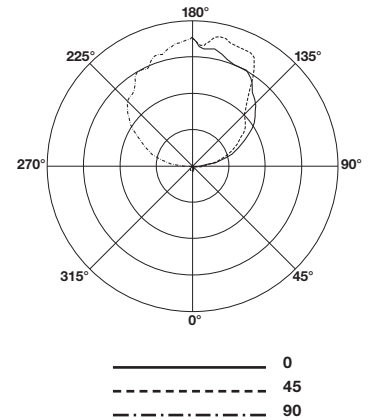
pcc pw	.8			.7			.5			.3			.1			0		
	.7	.5	.3	.1	.7	.5	.3	.1	.5	.3	.1	.5	.3	.1	.5	.3	.1	0
RCR																		
0	80	80	80	80	71	71	71	71	53	53	53	36	36	36	21	21	21	14
1	73	69	66	63	64	61	58	56	45	44	42	31	30	29	17	17	17	11
2	66	60	55	51	58	53	49	46	39	37	35	27	25	24	13	13	13	9
3	60	53	47	43	53	46	42	38	35	31	29	24	22	20	11	11	11	7
4	55	46	40	36	48	41	36	32	31	27	24	21	19	17	9	9	9	6
5	50	41	35	30	44	36	31	27	27	23	21	19	16	14	8	8	8	5
6	46	37	30	26	40	32	27	23	24	21	18	17	14	13	7	7	7	5
7	42	33	27	22	37	29	24	20	22	18	15	15	13	11	6	6	6	4
8	39	30	24	19	34	26	21	17	20	16	13	14	11	10	5	5	5	4
9	36	27	21	17	32	24	19	15	18	14	12	12	10	8	5	5	5	3
10	34	24	19	15	30	22	17	14	16	13	11	11	9	8	4	4	4	3

Total Luminaire Optical Efficiency = 80.9%



CANDELA DISTRIBUTION

Vert. Angle	0	22.5	45	67.5	90
0	244	244	244	244	244
10	228	225	229	232	233
20	211	222	214	217	213
30	208	193	200	206	201
40	176	176	176	185	180
50	147	147	152	155	156
60	116	119	123	124	126
70	80.2	84.8	87.9	95.0	97.7
80	53.3	49.0	63.8	74.6	80.3
90	13.1	32.8	49.6	63.9	66.7
100	194	208	206	223	228
110	388	416	461	471	468
120	557	595	643	719	738
130	713	765	799	840	866
140	855	910	954	950	972
150	995	1015	1066	1073	1082
160	1093	1089	1125	1139	1166
170	1147	1122	1147	1147	1176
180	1182	1182	1182	1182	1182



— 0
- - - 45
- - - 90

Lamp (2) 32w T8

Lumens: 2900 Per Lamp

Optical Distribution:
17% Direct / 83% Indirect

Day-O-Lite reserves the right to change product specifications without notice for product improvement.