

## Features

The G4 Wall Mount Series presents a unique shallow winged profile and is one variation of a complete family of wall mounted linear fluorescent luminaires. The G4 Wall Mount Series is a direct/indirect version of the family of luminaires and provides exceptional performance. Constructed of perforated steel and aluminum extrusions, it features a reveal between modules in continuous rows. The computer designed optical system creates a widespread indirect distribution while offering a wide variety of direct perforated accent patterns placed along its wing creating its own unique styling contrast.

## Specifications

**HOUSING:** One piece die formed 20-gauge cold rolled steel welded construction forming a 2 5/8" x 6" shallow winged profile. Rectangular pattern is 1 15/16" x 1/8" straight with white acrylic .020 translucent overlay as shown above. All Generation shieldings available. (See Chart) The decorative intermediate end caps, are provided for mounting and joining individual fixtures in rows. Finished end caps are laser cut aluminum, with no exposed hard ware or knockouts.

**REFLECTOR:** Die formed 20-gauge cold rolled steel minimum 90% reflectivity finished in high gloss baked white enamel.

**ELECTRICAL:** Ballast is electronic, low-profile, universal voltage 120/277, high power factor, thermally protected, sound rated A with less than 10% total harmonic distortion. Luminaires in rows are pre-wired with quick connect through wiring. The minimum number of ballasts will be used unless otherwise specified. Please consult factory for lamp/ballast availability.

**BALLAST DISCONNECT:** Luminaires are pre-wired with integrated locking disconnects.

**MOUNTING:** Mounting holes are provided at 14" on center for 4 foot fixtures and 30" on center for 8 foot fixtures for ease of installation.

**FINISH:** Fixture housing and steel components are finished in bake white enamel applied over a five-stage pretreatment process.

**LAMPS:** Fixtures are provided for use with one T8, or one or two T5, T5HO lamps. (Supplied by Others)

**CERTIFICATION:** Luminaires are U.L. Listed, C.S.A. certified and are Union Made in the United States of America I.B.E.W.

TYPE

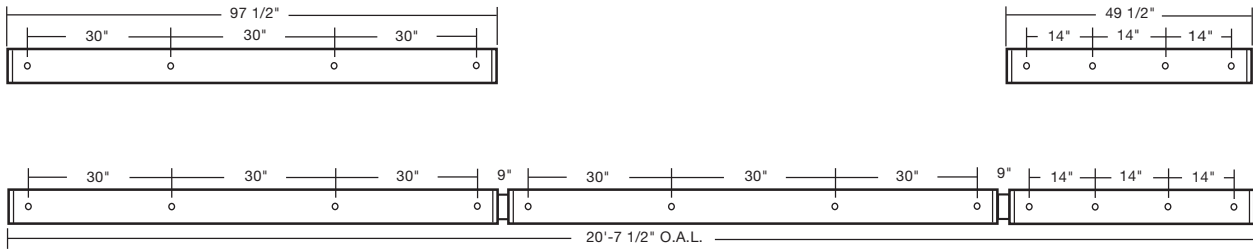
## Ordering Guide

MODEL NO.	DIRECTION	SHIELDING	NUMBER OF LAMPS	LAMPS	MOUNTING	ROW LENGTH	FINISH	VOLTAGE	OPTIONS
<b>G4</b>	<b>DI</b>	<b>7</b>							
<b>G4</b>	<b>DI</b> = Direct/ Indirect <b>I</b> = Indirect	<b>7</b> = Rectangular Continuous Continuous (shown)  Other shielding options avail- able, see page 360	<b>1</b> <b>2*</b> (* T5, T5HO only)	<b>T8</b> <b>T5</b> <b>T5HO</b>	<b>WM</b> = Wall Mount	<b>4</b> = 4 ft <b>8</b> = 8 ft <b>12</b> = 12 ft  For other, please enter row length (eg. 48 = 48 ft)	<b>W</b> = White  <b>CC</b> = Custom Color	<b>UNV</b> = 120/277	<b>DIM</b> = Dimming Ballast <b>EPC</b> = Emergency Battery Pack <b>EMC</b> = Emergency Circuit <b>TCW</b> = Two Circuit Wiring <b>OTH</b> = Other options available, see page 355

**Example »** **G4** | **DI** | **7** | **1T8** | **WM** | **4** | **W** | **UNV**

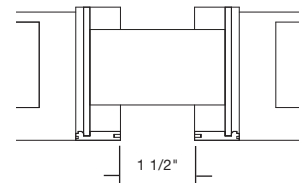
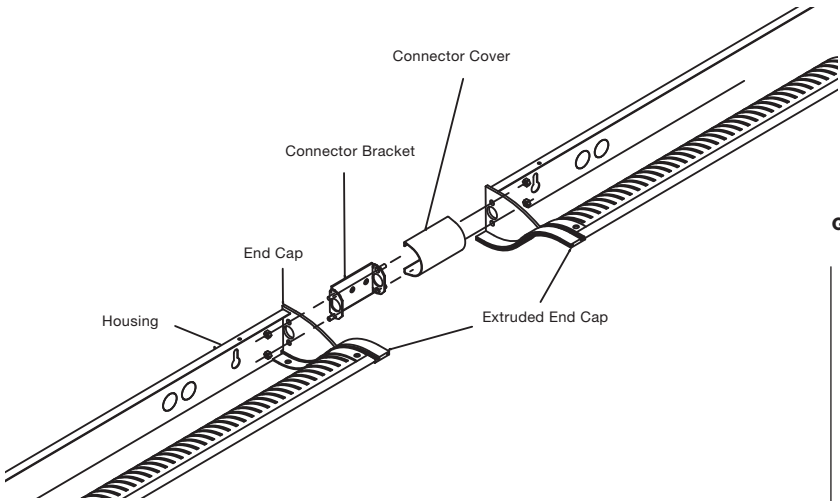
Generation Four with rectangular slotted continuous pattern with opal overlay for one 32 watt T8 lamps wall mounted finished in baked white enamel with universal voltage electronic ballast less than 10% total harmonic distortion.

## Linear Sections and Suspension Location

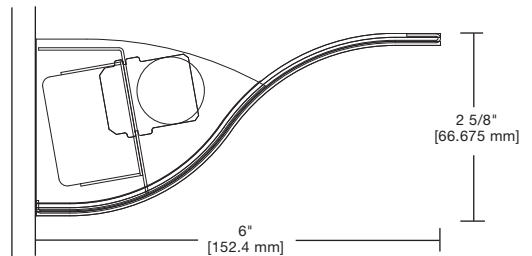


## Installation Preparation

### TYPICAL JOINT DETAIL



### G4 T8 CROSS SECTION



## Photometry

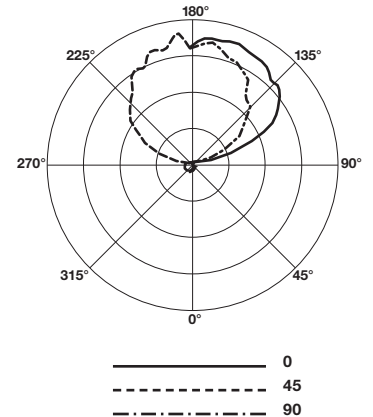
### COEFFICIENTS OF UTILIZATION-ZONAL CAVITY METHOD

pfc = 0.20

pcc	.8			.7			.5			.3			.1			0		
pw	.7	.5	.3	.1	.7	.5	.3	.1	.5	.3	.1	.5	.3	.1	.5	.3	.1	0
<b>RCR</b>																		
0	81	81	81	81	72	72	72	72	54	54	54	38	38	38	23	23	23	16
1	73	70	66	63	64	61	59	56	46	44	43	32	31	30	18	18	18	12
2	66	60	55	51	58	53	49	46	40	37	35	28	26	24	14	14	14	9
3	60	53	47	42	53	47	42	38	35	32	29	24	22	20	12	12	12	8
4	55	46	40	35	48	41	36	32	31	27	24	21	19	17	10	10	10	6
5	50	41	35	30	44	36	31	27	27	24	21	19	17	15	8	8	8	5
6	46	37	30	26	40	32	27	23	24	21	18	17	15	13	7	7	7	5
7	42	33	27	22	37	29	24	20	22	18	15	15	13	11	6	6	6	4
8	39	30	23	19	34	26	21	17	20	16	13	14	11	10	5	5	5	4
9	36	27	21	17	32	24	19	15	18	14	12	13	10	9	5	5	5	3
10	34	24	19	15	30	22	17	13	17	13	11	12	9	8	4	4	4	3

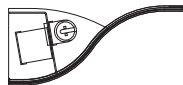
### CANDELA DISTRIBUTION

Vert. Angle	0	22.5	45	67.5	90
0	122	122	122	122	122
10	135	136	124	128	114
20	158	147	148	127	114
30	168	157	142	126	105
40	169	162	142	120	92.7
50	164	156	136	110	78.2
60	158	147	128	98.2	61.3
70	147	133	115	80.7	46.3
80	129	119	94.9	60.3	27.5
90	104	96.5	76.0	46.9	9.47
100	216	213	200	159	91.2
110	405	394	340	261	194
120	526	499	426	361	293
130	594	560	492	452	381
140	604	584	549	512	457
150	623	623	602	559	518
160	645	634	610	598	554
170	611	628	618	581	567
180	610	610	610	610	610



Lamp (1) 32w T8  
Lumens: 2900 Per Lamp

Total Luminaire Optical Efficiency = 81.2%



Optical Distribution:  
20% Direct: 80% Indirect

Day-O-Lite reserves the right to change product specifications without notice for product improvement.