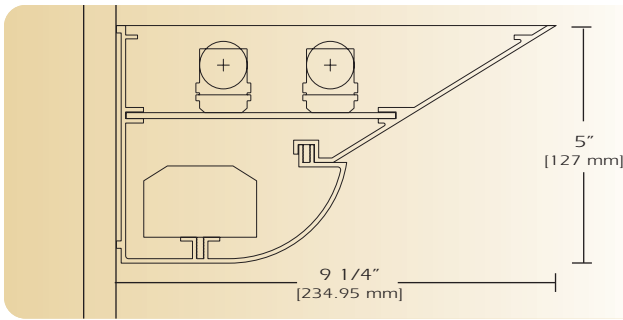


Special Profiles

AD-VEC-514-WM



TYPE _____

FEATURES

The AD VEC 514 I WM is the wall mounted variation of this complete family of luminaires. A smooth laser cut welded end finishes the graceful contour of the extruded aluminum wing. The fixture is available in solid aluminum construction or can be provided with parallelogram slots for accent to indirect component. The computer designed optical system creates a wide asymmetric glare-free indirect component. These fixtures can be mounted individually, in continuous rows or patterns.

SPECIFICATIONS

- Housing:** Two piece heavy gauge extruded aluminum 6063T5 alloy welded construction forming a 5" x 9 1/4" vector profile. Decorative finished end caps are welded with no exposed hardware or knockouts.
- Reflector:** Die formed 20-gauge cold rolled steel minimum 90% reflectivity finished in high gloss baked white enamel.
- Electrical:** Ballast is electronic, high power factor, thermally protected class P, sound rated A, with less than 20% total harmonic distortion. The minimum number of ballasts will be used unless otherwise specified.
- Mounting:** Standard mounting holes are provided for ease of installation please see mounting details for specific locations in linear section.
- Finish:** Fixture housing and steel components are finished in baked white enamel applied over a five-stage pretreatment process.
- Lamps:** Fixtures are provided for use with one, or two 32 watt T8 lamp or 54 watt T5 HO lamp. (Supplied by Others)
- Certification:** Luminaires are U. L. Listed, C. S. A. certified and are Union Made in the United States of America I.B.E.W.

ORDERING GUIDE

MODEL NO.	DIRECTION	SHIELDING	NO. OF LAMPS	LAMPS	MOUNTING	LENGTH	FINISH	VOLTAGE	OPTIONS
AD-VEC 514	I								
AD-VEC-514	I=Indirect	1= Solid 16= Parallelogram Slots	1 2	17T8 25T8 32T8 14T5 21T5 28T5 24T5 HO 39T5 HO 54T5 HO O=Other Specify	WM= Wall Mount See Accessories	4 8 for other, please enter row length (eg. 48=48ft)	W= White CC= Custom Color	120v 277v	See Options Below

Example: **AD VEC 514-I-1-232T8-WM-4-W-120V**
 AD VEC 514 indirect solid side for two T8 lamps wall mount four foot fixture finished in baked white enamel 120V electronic ballast less than 20% total harmonic distortion.

OPTIONS

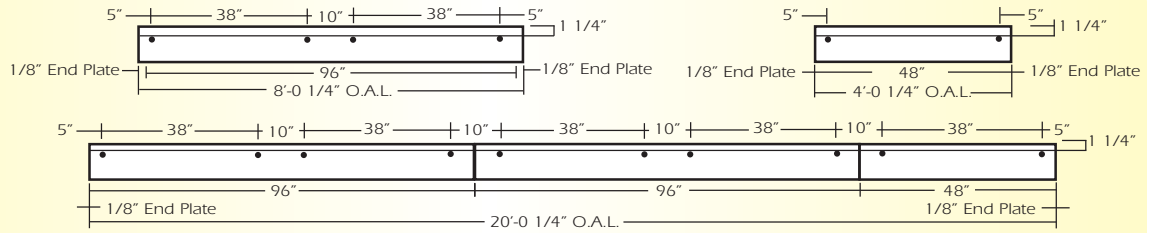
- E10=** Electronic ballast, high power factor, thermally protected class P, sound rated A, < 10% total harmonic distortion
- DIM=** Dimming Ballast
- EPC=** Emergency Battery Pack
- EMC=** Emergency Circuit
- TCW=** Two Circuit Wiring
- TDW=** Tandem Wiring
- OTH=** See Accessories for other options available

Special Profiles

AD-VEC-514-WM

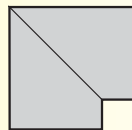
LINEAR SECTIONS AND SUSPENSION LOCATION

WALL MOUNTING

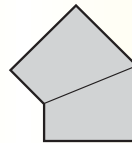


CORNERS

Corners and fixture extensions are custom fabricated to precise dimensions. Please indicate the specific requirements on the layout



C2
90° Corner



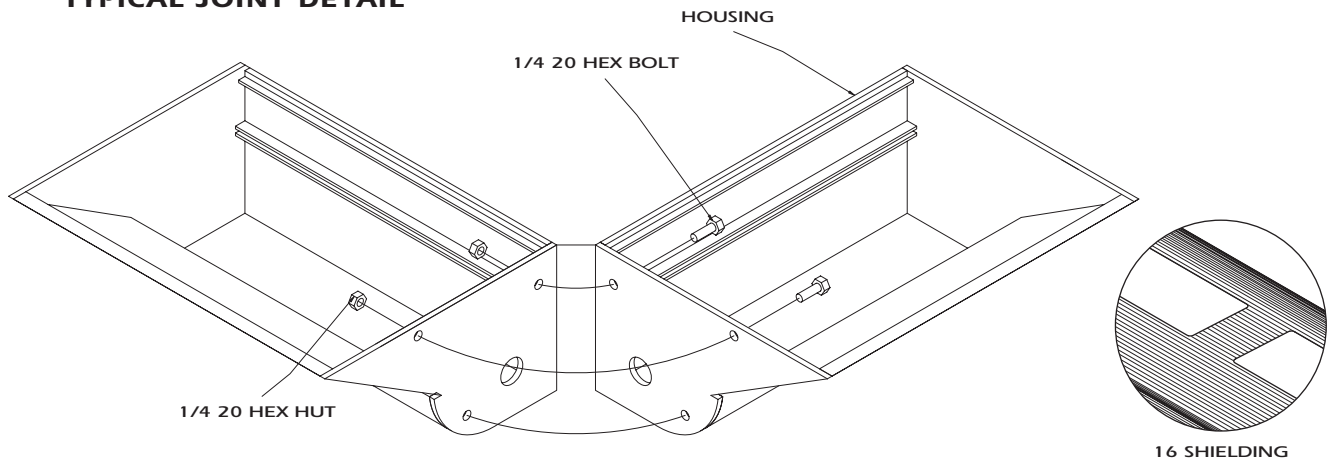
()° AC
Angular Corner

For any angular corner, ()° must be specified and dimensions must be included on the layout

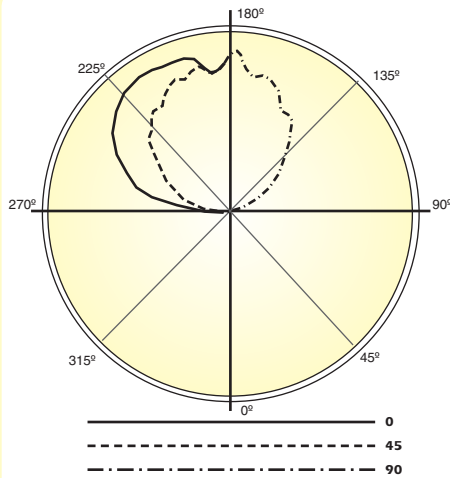
For any pattern, a layout must accompany the order.

INSTALLATION PREPARATION

TYPICAL JOINT DETAIL



PHOTOMETRY



LAMP (2) 32W T8
LUMENS: 2900 PER LAMP

Candela Distribution:

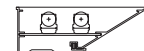
Vert. Angle	0	45	90
90	16.7	25.9	23.9
95	95.6	179	179
100	209	431	460
105	329	558	682
110	417	675	790
115	516	761	928
120	611	889	1028
125	690	929	1118
130	794	1024	1175
135	861	1087	1210
140	956	1136	1228
145	1016	1188	1272
150	1081	1249	1360
155	1174	1290	1339
160	1200	1341	1317
165	1142	1290	1289
170	1222	1280	1294
175	1098	1224	1230
180	1294	1294	1294

Optical Distribution:
Direct/Indirect

Coefficients of Utilization - Zonal Cavity Method:

pfc = 0.20

	.8	.7	.5	.3	.1	0
pcc	.8	.7	.5	.3	.1	0
pw	.7 .5 .3 .1	.7 .5 .3 .1	.5 .3 .1	.5 .3 .1	.5 .3 .1	0
RCR						
0	68 68 68 68	58 58 58 58	39 39 39	22 22 22	7 7 7	0
1	62 59 56 54	53 50 48 46	34 33 32	19 19 18	6 6 6	0
2	56 51 47 44	48 44 41 38	30 28 26	17 16 15	5 5 5	0
3	51 45 40 36	43 38 34 31	26 24 22	15 14 13	4 4 4	0
4	46 39 34 30	39 34 30 26	23 20 18	13 12 11	4 3 3	0
5	42 35 30 26	36 30 25 22	20 18 16	12 10 9	3 3 3	0
6	39 31 26 22	33 27 22 19	18 15 13	10 9 8	3 3 2	0
7	36 28 22 19	30 24 19 16	16 13 11	9 8 7	3 2 2	0
8	33 25 20 16	28 21 17 14	15 12 10	8 7 6	2 2 2	0
9	30 22 17 14	26 19 15 12	13 10 9	7 6 5	2 2 1	0
10	28 20 16 12	24 17 13 11	12 9 7	7 5 4	2 1 1	0



Total Luminaire Optical Efficiency = 71.8%