

Features

The NAS-1739 is a variation of a complete group of direct/indirect luminaires featuring a center perforated lamp shield with acrylic overlay. The NAS-1739 is an ideal luminaire for today's modern applications. NAS-1739 is ideal for any installation where high performance and comfortable lighting are required.

Specifications

HOUSING: Die formed 20-gauge cold rolled steel forming a sculptured profile. The finish ends are laser cut 16-gauge cold rolled steel with no exposed hardware or knockouts.

SHIELDING: Lamp shield is fully perforated with a 58% opening with white acrylic .020 translucent overlay. Optional perforated radial baffle or solid steel radial baffle available.

REFLECTOR: Die formed 20-gauge cold rolled steel minimum 90% reflectivity finished in baked white enamel.

ELECTRICAL: Ballast is electronic, universal voltage 120/277, high power factor, thermally protected, sound rated A with less than 10% total harmonic distortion. Luminaires in rows are pre-wired with quick connect through wiring. The minimum number of ballasts will be used unless otherwise specified.

BALLAST DISCONNECT: Luminaires are pre-wired with integrated locking disconnects.

MOUNTING: Standard installation is surface mounted.

FINISH: Fixture housing and steel components are finished in baked white enamel applied over a five-stage pretreatment process.

LAMPS: Fixtures are provided for use with T5, T5HO or T8 lamps. (Supplied by Others)

CERTIFICATION: Luminaires are U.L. Listed, C.S.A. certified and are Union Made in the United States of America. I.B.E.W.

TYPE

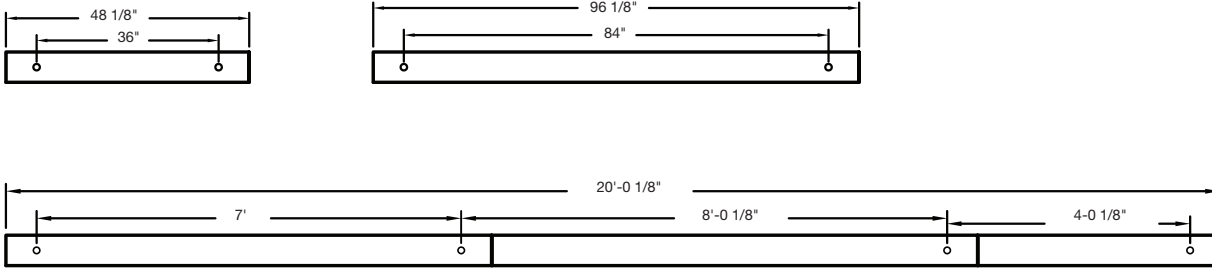
Ordering Guide

MODEL NO.	SHIELDING	NUMBER OF LAMPS	LAMPS	MOUNTING	ROW LENGTH	FINISH	VOLTAGE	OPTIONS
NAS-1739								
NAS-1739	P = Perforated Diffuser PRB = Perforated Radial Baffle SRB = Steel Radial Baffle	1 2 3	T5 T5HO T8	AC = Cable PD = Pendant S = Surface Other mounting options available, see pgs. 357-359	4 = 4 ft 8 = 8 ft For other, please enter row length (eg. 48 = 48 ft)	W = White CC = Custom Color	UNV = 120/277	DIM = Dimming Ballast EPC = Emergency Battery Pack EMC = Emergency Circuit TCW = Two Circuit Wiring OTH = Other options available, see page 355

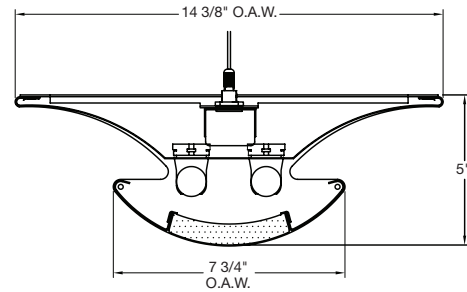
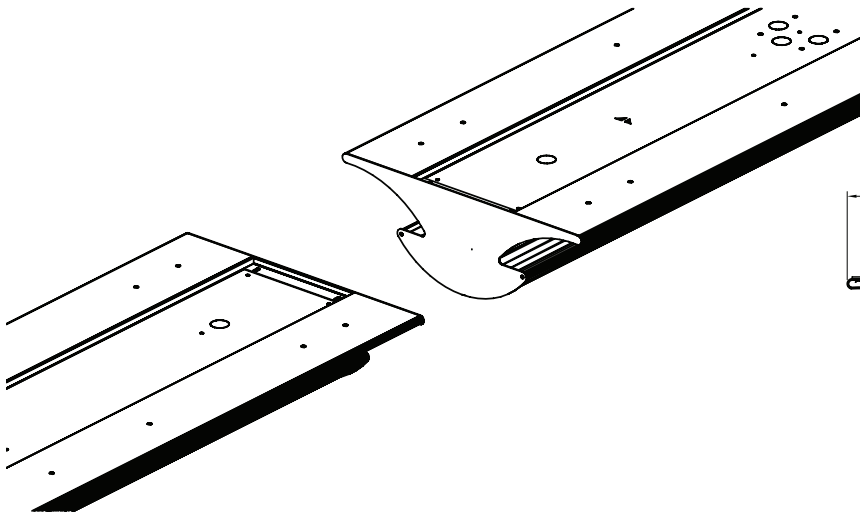
Example » NAS-1739 | P | 2T5HO | S | 4 | W | UNV

NAS-1739 direct with a perforated lamp shield for two 54 watt T5HO lamps, surface mounted 4' fixture, finished in baked white enamel, universal voltage electronic ballast less than 10% total harmonic distortion.

Linear Sections and Suspension Location



Installation Preparation



NAS-1739 - PRB

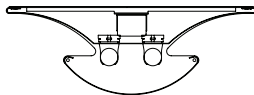
Photometry

COEFFICIENTS OF UTILIZATION-ZONAL CAVITY METHOD

pfc = 0.20

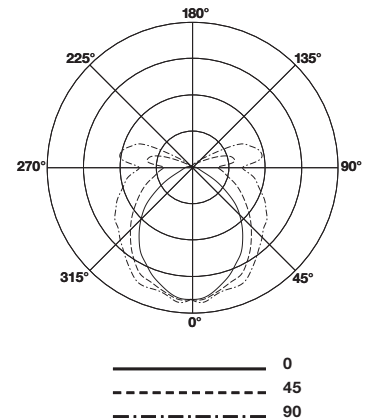
pcc pw	.8				.7				.5				.3				.1				0
	.7	.5	.3	.1	.7	.5	.3	.1	.5	.3	.1	.5	.3	.1	.5	.3	.1	.5	.3	.1	0
RCR																					
0	73	73	73	73	70	70	70	70	64	64	64	64	58	58	58	58	53	53	53	53	51
1	65	61	58	55	62	59	56	53	54	51	49	49	49	47	45	45	45	43	42	40	40
2	59	53	48	44	56	51	46	43	46	43	40	42	39	37	39	36	34	36	34	32	32
3	53	46	41	36	51	44	39	35	40	36	33	37	34	31	34	31	29	31	29	27	27
4	49	41	35	31	46	39	34	30	36	31	28	33	29	26	30	27	24	27	24	23	23
5	45	36	30	26	42	35	29	25	32	27	24	29	26	23	27	24	21	24	21	19	19
6	41	33	27	23	39	31	26	22	29	24	21	27	23	20	24	21	18	21	18	17	17
7	38	29	24	20	36	28	23	19	26	22	18	24	20	17	22	19	16	19	16	15	15
8	35	27	21	18	34	26	21	17	24	19	16	22	18	15	20	17	15	17	15	13	13
9	33	24	19	16	31	24	19	15	22	18	15	20	17	14	19	15	13	15	13	12	12
10	31	22	17	14	29	22	17	14	20	16	13	19	15	12	17	14	12	14	12	11	11

Total Luminaire Optical Efficiency = 63.8%



CANDELA DISTRIBUTION

Vert. Angle	0	22.5	45	67.5	90
0	948	948	948	948	948
10	910	911	926	924	940
20	819	836	869	910	917
30	715	742	796	854	859
40	572	608	672	730	759
50	413	461	548	638	680
60	209	281	430	576	620
70	69.3	125	326	484	535
80	39.0	80.5	239	405	459
90	12.1	90.7	205	331	378
100	2.26	108	313	461	514
110	1.18	20.6	203	392	439
120	0.82	1.86	33.9	131	185
130	0.55	1.20	1.56	8.79	24.4
140	0.65	0.85	1.03	0.88	0.58
150	0.57	0.54	0.63	0.73	0.46
160	0.47	0.36	0.37	0.40	0.29
170	0.31	0.27	0.34	0.32	0.36
180	0.21	0.21	0.21	0.21	0.21



— 0
- - - 45
- · - 90

Lamp (2) 32w T8

Lumens: 2900 Per Lamp

Optical Distribution:
80% Direct: 20% Indirect

Day-O-Lite reserves the right to change product specifications without notice for product improvement.