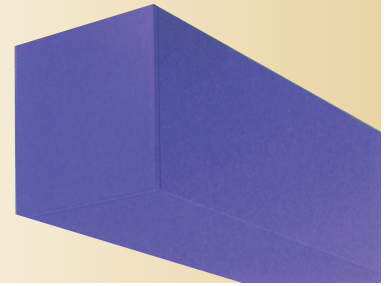
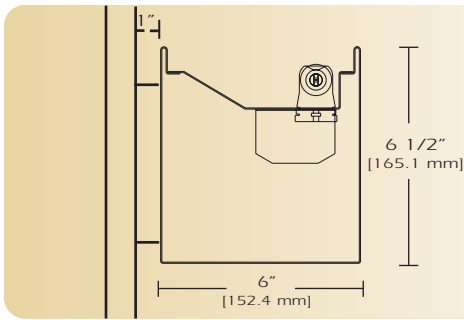


General Illumination PTP-IAO-WM



TYPE _____

FEATURES

The PTP architectural linear series is an extraordinarily efficient steel luminaires. The PTP IAO is designed with an asymmetric outward indirect distribution for wall mounting. This series can be mounted individually, in perfectly aligned continuous rows or in any of combination of patterns. The PTP series is an ideal solution for open spaces and provides maximum design versatility.

SPECIFICATIONS

Housing: Die formed 20-gauge cold rolled steel welded construction. Finished end caps are laser cut 18-gauge cold rolled steel, with no exposed hardware or knockouts. Housing aligners provide precision alignment for continuous rows.

Reflector: Die formed 20-gauge cold rolled steel minimum 90% reflectivity finished in high gloss baked white enamel.

Electrical: Ballast is electronic, high power factor, thermally protected class P, sound rated A, with less than 20% total harmonic distortion. The minimum number of ballasts will be used unless otherwise specified.

Mounting: Provided with wall mounting brackets measuring 5" square by 1" deep. Finished in white to match housing.

Finish: Fixture housing and steel components are finished in baked white enamel applied over a five-stage pretreatment process.

Lamps: Fixtures are provided for use with one 32 watt T8 lamp or 54 watt T5 HO lamps. (Supplied by Others)

Certification: Luminaires are U. L. Listed, C. S. A. certified and are Union Made in the United States of America. I.B.E.W.

ORDERING GUIDE

MODEL NO.	DIRECTION	NO. OF LAMPS	LAMPS	MOUNTING	LENGTH	FINISH	VOLTAGE	OPTIONS
PTP	IAO	<input type="text" value="1"/>	<input type="text" value="17 T8 (2')"/>	<input type="text" value="WM= Wall"/>	<input type="text" value="2= ft"/>	<input type="text" value="W= White"/>	<input type="text" value="120v"/>	<input type="text" value="See Options Below"/>
PTP	IAO= Indirect Asymmetric Out	1= 1	25 T8 (3') 32 T8 (4') 40 T8 (5') 28 T5 (4') 54 T5 HO (4')	WM= Wall See Accessories	3= ft 4= ft 5= ft 6= ft 8= ft for other, please enter row length (eg. 48=48ft)	CC= Custom Color	277v	

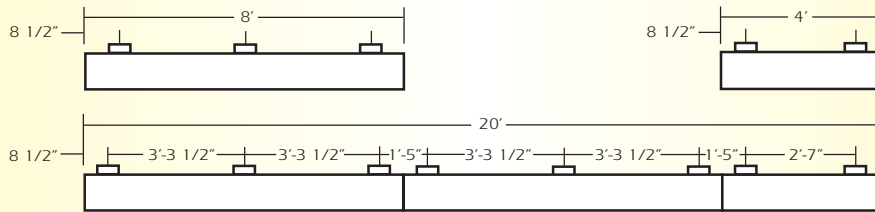
Example: **PTP-IAO-132T8-WM-4-W-120V**
PTP Indirect Asymmetric Out for one 132 watt T8 lamp wall mounted four foot fixture finished in baked white enamel 120v electronic ballast 20% total harmonic distortion.

OPTIONS

- E10=** Electronic ballast, high power factor, thermally protected class P, sound rated A, < 10% total harmonic distortion
- DIM=** Dimming Ballast
- EPC=** Emergency Battery Pack
- EMC=** Emergency Circuit
- TCW=** Two Circuit Wiring
- OTH=** See Accessories for other options available

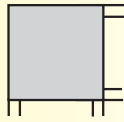
General Illumination PTP-IAO-WM

LINEAR SECTIONS AND SUSPENSION LOCATION



JOINERS

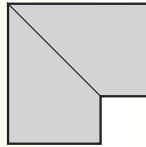
JB2



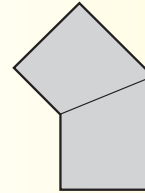
JB2-90° (Corner) Joiner Box

CORNERS

Corners and fixture extensions are custom fabricated to precise dimensions. Please indicate the specific requirements on the layout



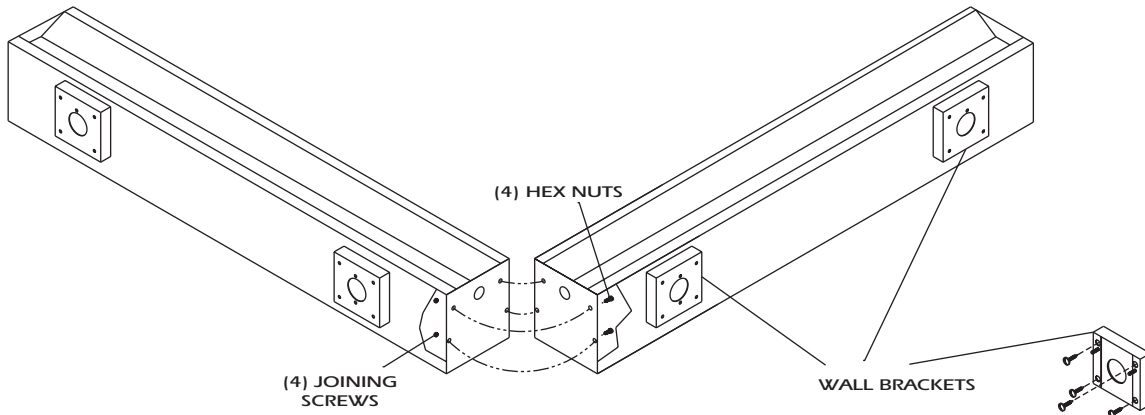
C2
90° Corner



For any angular corner, ()° must be specified and dimensions must be included on the layout

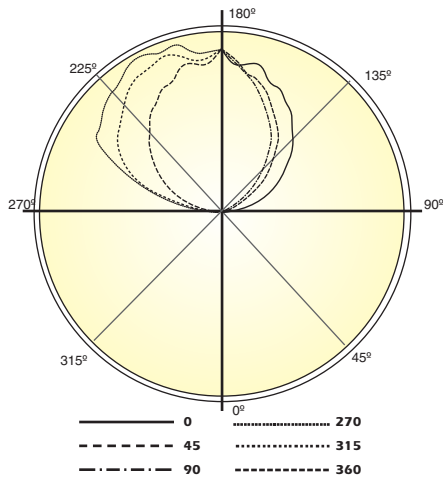
()° AC
Angular Corner

INSTALLATION PREPARATION



TYPICAL JOINT DETAIL

PHOTOMETRY



LAMP (1) 32W T8
LUMENS: 2900 PER LAMP

Candela Distribution:

Vert. Angle	0	22.5	45	67.5	90
90	3.50	0.000	0.520	0.000	0.000
95	29.7	6.83	1.78	0.420	0.000
100	84.8	24.9	12.6	7.69	6.30
105	136	60.1	28.7	20.5	19.8
110	185	109	50.4	38.8	39.3
115	247	164	77.0	58.1	54.5
120	292	218	137	92.5	80.2
125	351	283	207	143	124
130	400	329	263	205	183
135	437	393	316	263	255
140	469	441	394	330	307
145	537	474	451	392	397
150	571	521	485	439	429
155	590	589	520	473	479
160	613	607	569	535	516
165	667	664	612	606	583
170	670	639	621	638	656
175	660	683	687	716	677
180	727	727	727	727	727

Optical Distribution:
100% Indirect

Coefficients of Utilization - Zonal Cavity Method:

pfc = 0.20

	.8	.7	.5	.3	.1	0
pcc	.8	.7	.5	.3	.1	0
pw	.7 .5 .3 .1	.7 .5 .3 .1	.5 .3 .1	.5 .3 .1	.5 .3 .1	0
RCR						
0	66 66 66 66	57 57 57 57	38 38 38	22 22 22	7 7 7	0
1	60 57 55 53	51 49 47 45	33 32 31	19 18 18	6 6 5	0
2	55 50 46 43	47 43 40 37	29 27 26	17 16 15	5 5 4	0
3	50 44 39 35	42 37 34 31	26 23 21	15 13 12	4 4 4	0
4	45 39 34 30	39 33 29 26	23 20 18	13 11 10	4 3 3	0
5	41 34 29 25	35 29 25 22	20 17 15	11 10 9	3 3 3	0
6	38 30 25 21	32 26 22 19	18 15 13	10 9 7	3 2 2	0
7	35 27 22 18	30 23 19 16	16 13 11	9 8 6	3 2 2	0
8	32 24 19 16	27 21 17 14	14 12 10	8 7 6	2 2 1	0
9	30 22 17 14	25 19 15 12	13 10 8	7 6 5	2 2 1	0
10	28 20 15 12	23 17 13 10	12 9 7	7 5 4	2 1 1	0



Total Luminaire Optical Efficiency = 70.1%