

## Features

The G4-I presents a unique ultra shallow winged profile and is one variation of a complete family of suspended linear fluorescent luminaires. The G4-I is an indirect version of the family of luminaires and provides exceptional performance. Constructed of steel and aluminum extrusions, it features a “reveal” between modules in continuous rows. The computer designed optical system creates widespread indirect distribution.

## Specifications

**HOUSING:** One piece die formed 20 gauge cold rolled steel welded construction forming a 1 3/4" x 8 7/8" wave profile. The housing ends are die formed extruded aluminum. The decorative intermediate end caps are provided for mounting and joining individual fixtures in rows. Finished ends are laser cut aluminum, with no exposed hardware or knockouts.

**REFLECTOR:** Die formed 20-gauge cold rolled steel minimum 90% reflectivity in high gloss white enamel with die formed center reflector.

**ELECTRICAL:** Ballast is electronic, low-profile, universal voltage 120/277, high power factor, thermally protected, sound rated A with less than 10% total harmonic distortion. Luminaires in rows are pre-wired with quick connect through wiring. The minimum number of ballasts will be used unless otherwise specified. Please consult factory for lamp/ballast availability.

**BALLAST DISCONNECT:** Luminaires are pre-wired with integrated locking disconnects.

**MOUNTING:** Standard Installation is an adjustable self-locking aircraft cable assembly 48" x 3/32" in diameter with 5" canopy. One 16/4 SJT straight 54" cord is supplied with each power feed. Standard pendants are available in 24" lengths. See Mounting Options pages for additional mounting.

**FINISH:** Fixture housing and steel components are finished in baked white enamel applied over a five stage pretreatment process.

**LAMPS:** Fixtures are provided for use with two T5 or T5HO lamps. (Supplied by Others)

**CERTIFICATION:** Luminaires are U. L. Listed, C.S.A. certified and are Union Made in the United States of America I.B.E.W.

TYPE

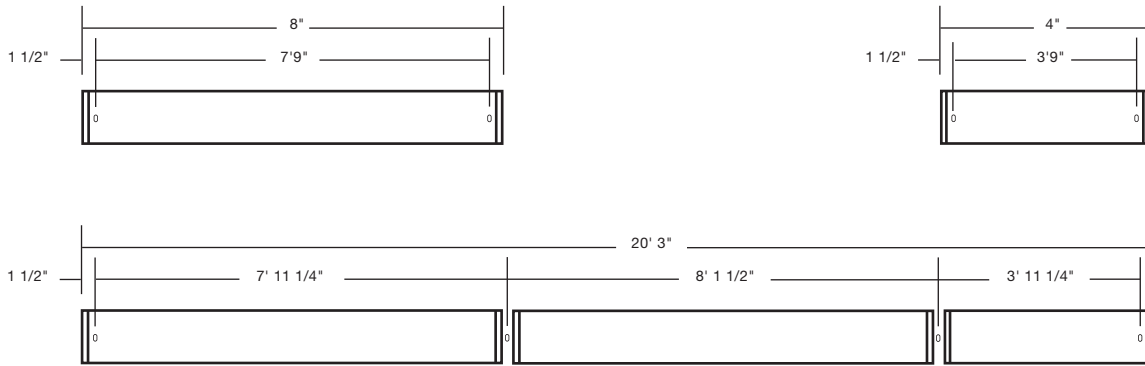
## Ordering Guide

MODEL NO.	DIRECTION	SHIELDING	NUMBER OF LAMPS	LAMPS	MOUNTING	ROW LENGTH	FINISH	VOLTAGE	OPTIONS
<b>G4</b>	<b>I</b>	<b>1</b>							
<b>G4</b>	I = Indirect	1 = Solid (shown)	<b>2</b>	<b>T5 T5HO</b>	<b>AC</b> = Cable <b>PD</b> = Pendant Other mounting options available, see pgs. 357-359	<b>4</b> = 4 ft <b>8</b> = 8 ft For other, please enter row length (eg. 48 = 48 ft)	<b>W</b> = White <b>CC</b> = Custom Color	<b>UNV</b> = 120/277	<b>DIM</b> = Dimming Ballast <b>EPC</b> = Emergency Battery Pack <b>EMC</b> = Emergency Circuit <b>TCW</b> = Two Circuit Wiring <b>OTH</b> = Other options available, see page 355

**Example »** **G4** | **I** | **1** | **2T5HO** | **AC** | **4** | **W** | **UNV**

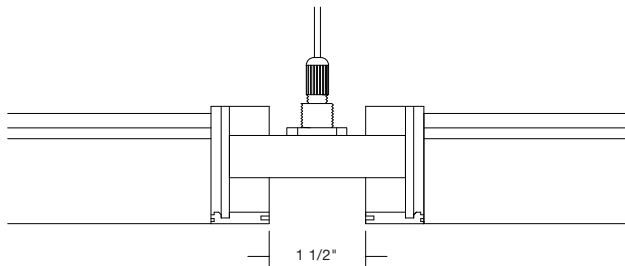
Generation Four profile for two 54 watt T5HO lamps with two 48 inch aircraft cables and power feed four foot fixture finished in baked white enamel with universal voltage electronic ballast less than 10% total harmonic distortion.

## Linear Sections and Suspension Location

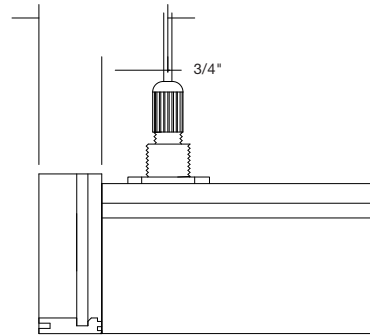


## Installation Preparation

TYPICAL JOINT DETAIL



TYPICAL END DETAIL



## Photometry

### COEFFICIENTS OF UTILIZATION-ZONAL CAVITY METHOD

pfc = 0.20

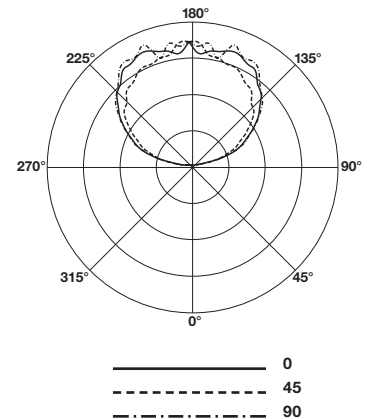
pcc pw	.8		.7		.5		.3		.1		0							
	.7	.5	.3	.1	.7	.5	.3	.1	.7	.5	.3	.1	0					
<b>RCR</b>																		
0	74	74	74	74	63	63	63	63	43	43	43	25	25	25	8	8	8	0
1	67	64	61	59	57	55	53	51	38	36	35	22	21	20	7	7	7	0
2	61	56	52	48	52	48	44	42	33	31	29	19	18	17	5	5	5	0
3	56	49	44	40	47	42	38	35	29	26	24	17	15	14	5	5	5	0
4	51	43	38	33	43	37	33	29	25	23	20	15	13	12	4	4	4	0
5	46	38	32	28	39	33	28	25	23	20	17	13	12	10	3	3	3	0
6	43	34	28	24	36	29	24	21	20	17	15	12	10	9	3	3	3	0
7	39	30	25	21	33	26	21	18	18	15	13	10	9	8	2	2	2	0
8	36	27	22	18	31	24	19	16	16	13	11	9	8	7	2	2	2	0
9	33	25	19	16	28	21	17	14	15	12	10	9	7	6	2	2	2	0
10	31	22	17	14	26	19	15	12	13	11	9	8	6	5	2	2	2	0

Total Luminaire Optical Efficiency = 77.5%



### CANDELA DISTRIBUTION

Vert. Angle	0	22.5	45	67.5	90
90	32.5	13.8	4.74	1.80	1.47
95	173	141	101	83.7	81.3
100	371	377	326	298	297
105	578	598	596	578	545
110	781	787	838	865	866
115	982	1000	1041	1114	1125
120	1162	1198	1223	1317	1358
125	1336	1404	1409	1464	1523
130	1507	1601	1605	1620	1646
135	1664	1760	1789	1794	1819
140	1807	1901	1981	1967	1975
145	1951	2058	2136	2125	2111
150	2079	2168	2267	2282	2281
155	2180	2268	2371	2426	2427
160	2273	2348	2415	2489	2515
165	2406	2412	2438	2495	2546
170	2412	2454	2452	2473	2479
175	2402	2472	2449	2494	2509
180	2418	2418	2418	2418	2418



Lamp (2) 54w T5HO

Lumens: 2900 Per Lamp

Optical Distribution:  
100% Indirect

Day-O-Lite reserves the right to change product specifications without notice for product improvement.