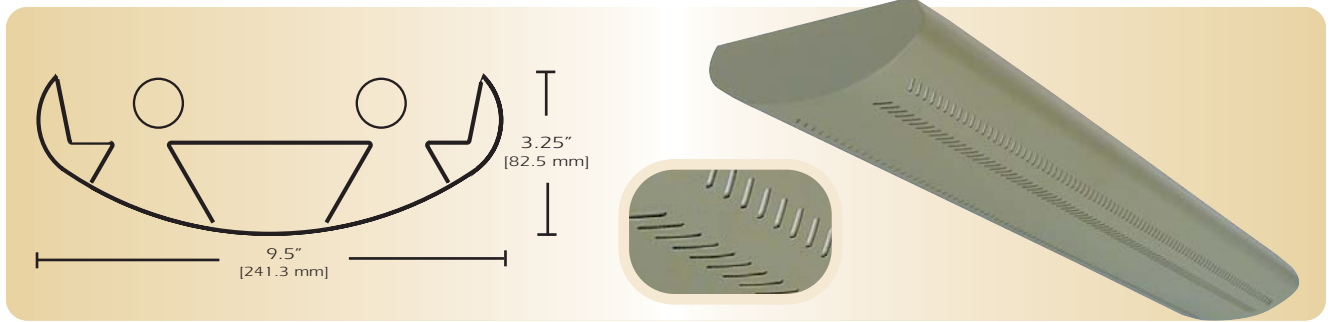


Generation Series 1

G1-DI-8



TYPE _____

FEATURES

The G1-DI-8 is one variation of a complete family of suspended linear fluorescent luminaires. The G1-DI-8 is a direct/indirect version of the family of luminaires. The computer designed optical system creates a widespread indirect distribution while the variety of direct components provides contrast. The low profile and modern design provide excellent efficiency and styling where high performance and uniform lighting are required.

SPECIFICATIONS

Housing: One piece die formed 20-gauge cold rolled steel welded construction forming a 9.50" x 3.25" rounded profile. Diagonal obround pattern is 3/16" x 5/8" straight with white .020 translucent overlay. Finished end caps are laser cut 16-gauge cold rolled steel, with no exposed hardware or knockouts. Aligner brackets are provided to eliminate light leaks and for precision alignment of continuous rows.

Reflector: Die formed 20-gauge cold rolled steel minimum 90% reflectivity finished in high gloss baked white enamel with die formed .025 specular anodized aluminum side reflectors.

Electrical: Ballast is electronic, high power factor, thermally protected class P, sound rated A, with less than 20% total harmonic distortion. The minimum number of ballasts will be used unless otherwise specified.

Mounting: Standard Installation is an adjustable self-locking aircraft cable assembly 48" x 3/32" in diameter with 5" canopy. One 1/4" SJT straight 54" cord is supplied with each power feed. Standard pendants are available in 24" lengths. See Accessories for additional mounting.

Finish: Fixture housing and steel components are finished in baked white enamel applied over a five-stage pretreatment process.

Lamps: Fixtures are provided for use with one, two or three 32 watt T8 lamps or 54 watt T5 HO lamps. (Supplied by Others)

Certification: Luminaires are U. L. Listed, C. S. A. certified and are Union Made in the United States of America I.B.E.W.

ORDERING GUIDE

MODEL NO.	DIRECTION	SHIELDING	LAMPS	MOUNTING	LENGTH	FINISH	VOLTAGE	OPTIONS
G1	- DI	- 8	-	-	-	-	-	-
G1	DI = Direct/Indirect	8 =Obround Diagonal	132T8 232T8 332T8 154T5 HO 254T5 HO 354T5 HO O =Other Specify	AC = Cable PD = Pendant See Accessories	4 = 4 ft 8 = 8 ft 12 = 12 ft for other, please enter row length (eg. 48=48ft)	W = White CC = Custom Color	120v 277v	See Options Below

Example: **G1-DI-8-232T8-AC-4-W-277V**

Generation One with diagonal obround continuous pattern with opal overlay for two 32 watt T8 lamps with two 48 inch aircraft cables and power feed four foot fixture finished in baked white enamel with 277v electronic ballast less than 20% total harmonic distortion.

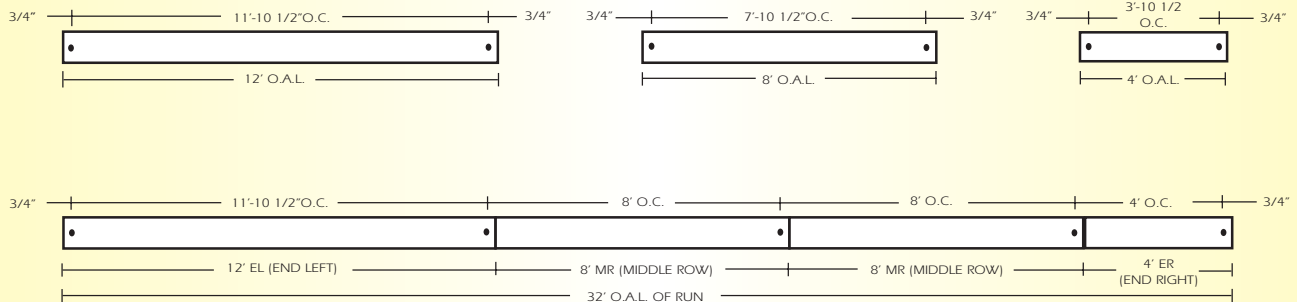
OPTIONS

- E10=** Electronic ballast, high power factor, thermally protected class P, sound rated A, < 10% total harmonic distortion
- DIM=** Dimming Ballast
- EPC=** Emergency Battery Pack
- EMC=** Emergency Circuit
- TCW=** Two Circuit Wiring
- TDW=** Tandem Wiring
- QCW=** Quick Connect Wiring
- OTH=** See Accessories for other options available

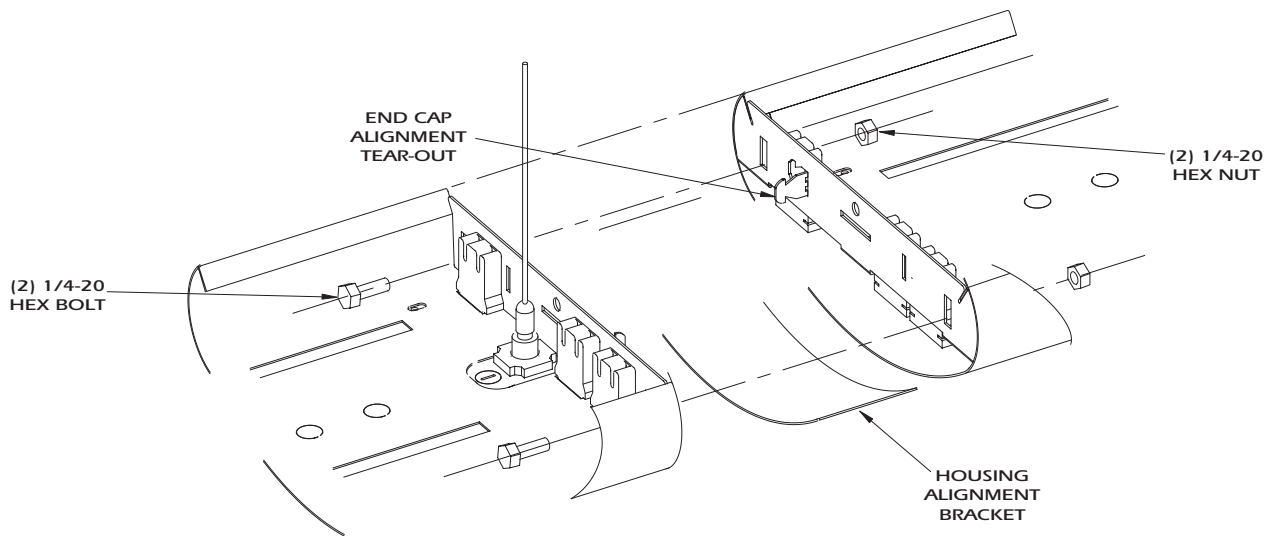
Generation Series 1

G1-DI-8

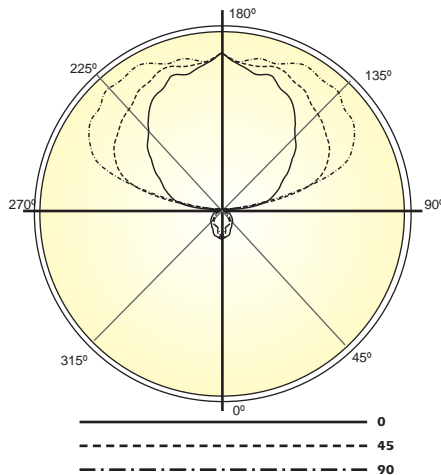
LINEAR SECTIONS AND SUSPENSION LOCATION



INSTALLATION PREPARATION



PHOTOMETRY



Candela Distribution:

Vert. Angle	0	22.5	45	67.5	90
0	216	216	216	216	216
5	193	224	201	184	152
15	200	168	128	135	127
25	189	134	118	118	135
35	138	117	109	85	90
45	117	92	70	47	38
55	84	67	36	24	27
65	58	37	18	19	18
75	46	16	15	11	11
85	41	31	16	10	7
95	190	231	159	135	117
105	291	507	688	702	671
115	423	608	865	1020	1089
125	577	707	942	1101	1168
135	726	801	984	1142	1224
145	866	923	1032	1166	1204
155	958	998	1104	1148	1166
165	989	1035	1065	1097	1127
175	1091	1030	1071	1080	1090
180	1131	1131	1131	1131	1131

Optical Distribution:
93% Indirect: 7% Direct

Coefficients of Utilization - Zonal Cavity Method:

pfc = 0.20

	.8	.7	.5	.3	.1	0													
pw	.7	.5	.3	.1	.5	.3	.1	.5	.3	.1	0								
RCR	0	85	85	85	85	73	73	73	73	52	52	52	32	32	32	14	14	14	6
1	77	73	70	67	66	63	61	59	45	43	42	28	27	26	12	12	12	5	
2	70	64	59	55	60	55	51	48	39	37	35	24	23	22	11	10	10	4	
3	64	56	50	45	55	49	44	40	35	31	29	22	20	18	10	9	8	3	
4	58	49	43	38	50	43	38	34	31	27	24	19	17	16	8	7	3		
5	53	44	37	32	46	38	33	28	27	24	21	17	15	13	8	7	2		
6	49	39	32	28	42	34	28	24	24	21	18	15	13	12	7	6	2		
7	45	35	28	24	39	30	25	21	22	18	16	14	12	10	6	5	2		
8	41	31	25	21	36	27	22	18	20	16	14	12	10	9	6	5	2		
9	38	28	22	18	33	25	20	16	18	14	12	11	9	8	5	4	1		
10	36	26	20	16	31	23	18	14	16	13	10	10	8	7	5	4	1		



Total Luminaire Optical Efficiency = 87.9%

LAMP (2) 32W T8
LUMENS: 2900 PER LAMP