

Features

The G4 Sconce presents a unique shallow winged profile and is one variation of a complete family of wall mounted linear fluorescent luminaires. Constructed of perforated steel and aluminum extrusions it has a unique reveal feature. The G4 Sconce can be furnished with a wide variety of lamps and perforated accent patterns.

Specifications

HOUSING: One piece die formed 20-gauge cold rolled steel welded construction forming a 2 5/8" x 6" shallow winged profile. Rectangular pattern is 1 15/16" x 1/8" straight with white acrylic .020 translucent overlay as shown above. All shielding options available. (See Chart) The decorative end caps are an added aesthetic feature to the sconce. Finished end caps are laser cut aluminum with no exposed hardware.

REFLECTOR: Die formed 20-gauge cold rolled steel minimum 90% reflectivity finished in high gloss baked white enamel.

ELECTRICAL: Ballast is electronic, universal voltage 120/277, high power factor, thermally protected, sound rated A with less than 10% total harmonic distortion. The minimum number of ballasts will be used unless otherwise specified.

BALLAST DISCONNECT: Luminaires are pre-wired with integrated locking disconnects.

MOUNTING: Standard installation is key slots 6" O.C. for ease of installation.

FINISH: Fixture housing and steel components are finished in baked white enamel applied over a five-stage pretreatment process.

LAMPS: Fixture is provided with the use of one lamp T5, T5HO, or compact fluorescent. (Supplied by others).

CERTIFICATION: Luminaires are U.L. Listed, C.S.A. certified and are Union Made in the United States of America I.B.E.W.

TYPE

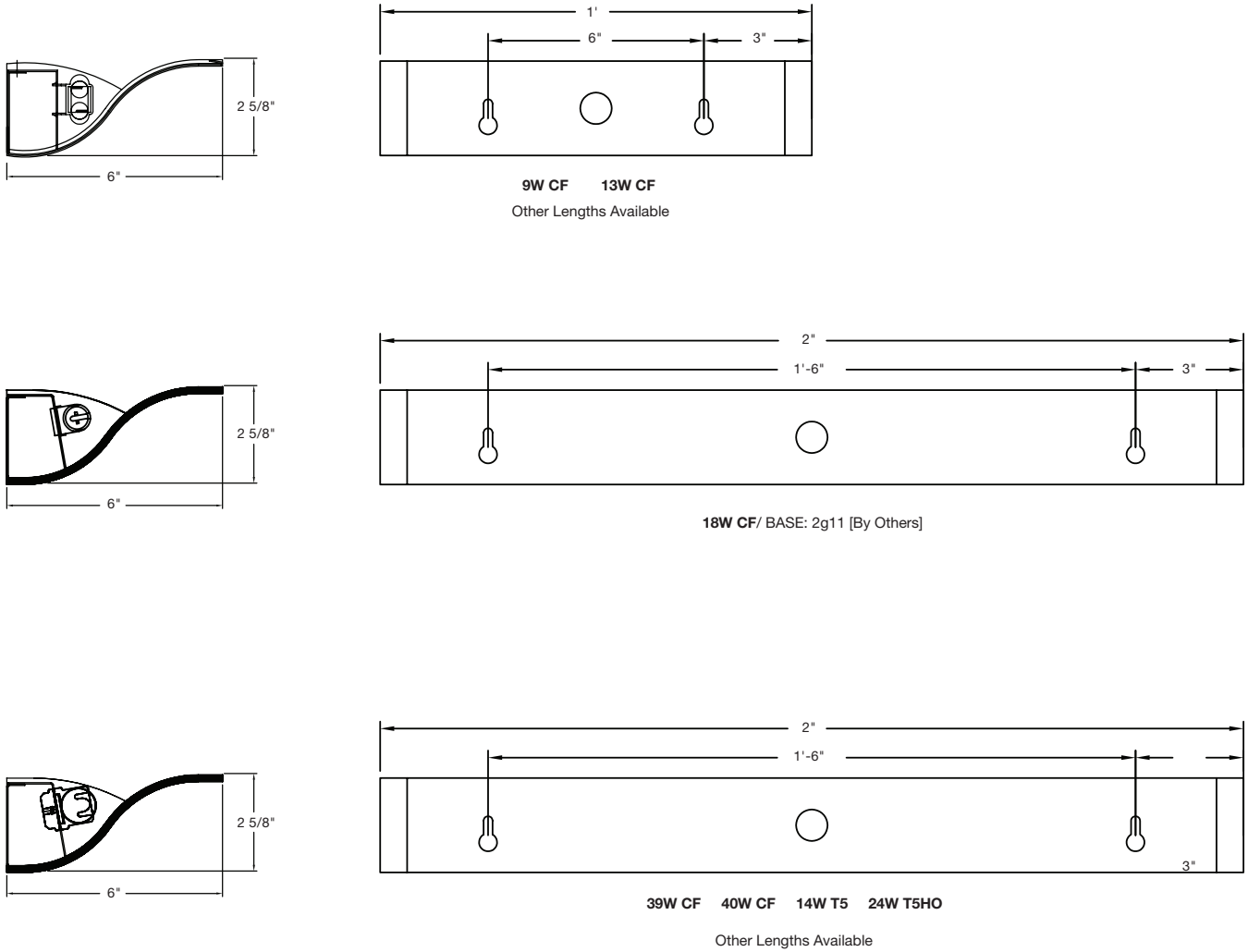
Ordering Guide

MODEL NO.	DIRECTION	SHIELDING	LAMPS	MOUNTING	LENGTH	FINISH	VOLTAGE	OPTIONS
G4 SCO	DI							
G4 SCO	DI = Direct/ Indirect	For shielding perforation options, see page 360.	9W CF 13W CF 18W CF 39W CF 40W CF 14W T5 24W T5HO	WM = Wall Mount	1 = 1 ft 2 = 2 ft	W = White CC = Custom Color	UNV = 120/277	EMC = Emergency Circuit DCS = Dust Cover

Example » **G4 SCO | DI | 7 | 18W | CF | WM | 1' | W | UNV**

Generation four sconce with perforation pattern 7, rectangle slotted continuous pattern with opal overlay for one 18 watt compact fluorescent lamp, wall mounted one foot fixture finished in baked white enamel with universal voltage electronic ballast less than 10% total harmonic distortion.

Linear Sections and Suspension Location



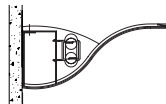
Photometry

COEFFICIENTS OF UTILIZATION - ZONAL CAVITY METHOD

pfc = 0.20

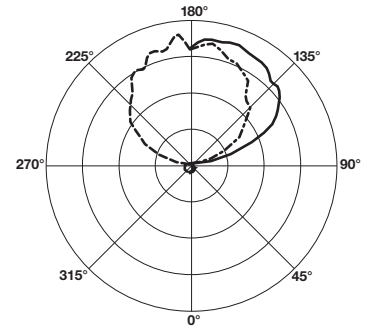
pcc pw	.8				.7				.5				.3				.1				0
	.7	.5	.3	.1	.7	.5	.3	.1	.5	.3	.1	.5	.3	.1	.5	.3	.1	.5	.3	.1	0
RCR																					
0	79	79	79	79	69	69	69	69	49	49	49	31	31	31	14	14	14	14	14	14	6
1	72	69	65	63	62	59	57	55	42	41	39	26	26	25	11	11	11	11	11	11	5
2	65	60	55	51	56	52	48	45	37	34	32	23	22	20	9	9	9	9	9	9	4
3	60	52	47	42	51	45	41	37	32	29	27	20	19	17	7	7	7	7	7	7	3
4	54	46	40	35	47	40	35	31	28	25	23	18	16	14	6	6	6	6	6	6	2
5	50	41	35	30	43	35	30	26	25	22	19	16	14	12	5	5	5	5	5	5	2
6	45	36	30	26	39	32	26	23	23	19	17	14	12	11	5	5	5	5	5	5	2
7	42	32	26	22	36	28	23	19	20	17	14	13	11	9	4	4	4	4	4	4	2
8	39	29	23	19	33	25	20	17	18	15	12	12	10	8	3	3	3	3	3	3	1
9	36	26	21	17	31	23	18	15	17	13	11	10	8	7	3	3	3	3	3	3	1
10	33	24	18	15	29	21	16	13	15	12	10	10	8	6	3	3	3	3	3	3	1

Total Luminaire Optical Efficiency = 81.8%



CANDELA DISTRIBUTION

Vert. Angle	CANDELA DISTRIBUTION				
	0	22.5	45	67.5	90
0	21.0	21.0	21.0	21.0	21.0
10	19.5	20.7	22.0	23.4	24.7
20	17.9	22.6	24.7	24.9	25.1
30	18.2	21.8	24.6	26.7	27.7
40	16.8	20.1	24.5	27.2	29.9
50	14.4	18.6	22.9	26.9	28.2
60	12.2	16.3	21.2	25.8	27.4
70	9.93	14.2	18.5	23.3	24.0
80	6.19	11.2	16.2	20.5	22.3
90	1.25	9.04	14.1	17.3	18.2
100	43.0	81.1	87.2	79.3	73.6
110	103	137	186	222	222
120	154	191	234	288	303
130	202	239	270	312	340
140	245	275	297	321	335
150	277	301	318	335	338
160	304	321	332	342	340
170	315	327	335	337	344
180	322	322	322	322	322



— 0
- - - 45
- · - 90

Lamp (1) 14W T5
Lumens: 1350 per lamp

Day-O-Lite reserves the right to change product specifications without notice for product improvement.