

Features

The NAS-PO is one variation of a complete group of Recessed Direct/ Indirect luminaires featuring a centered metal perforated lamp shield with an acrylic overlay panel to obscure direct lamp image. The centered perforated lamp shield is positioned below the ceiling plane. Lamp output is distributed over a computer designed reflector system to provide soft glare-free illumination. The NAS-PO series can be used in any installation where high performance and comfortable lighting are required.

Specifications

HOUSING: Die formed 20-gauge cold rolled steel finished in baked white enamel. Housing has an access plate on top with two 7/8" diameter knockouts.

SHIELDING: Die formed 20 gauge perforated steel lamp shield has a 58% opening with white acrylic .020 translucent overlay. The end caps are 18 gauge and welded to lamp shield. The hinged lamp shield is removable for easy lamp access.

REFLECTOR: Die formed .020 steel 90% minimum reflectivity finished in low glare matte baked white enamel.

ELECTRICAL: Ballast is electronic, universal voltage 120/277, high power factor, thermally protected, sound rated A with less than 10% total harmonic distortion. The minimum number of ballasts will be used unless otherwise specified.

BALLAST DISCONNECT: Luminaires are pre-wired with integrated locking disconnects.

MOUNTING: Standard installation is 2x2 exposed inverted T-bar ceiling. Optional trims are also available for installations in miniature grid, drywall or plaster ceiling. For mounting detail information consult factory. Four support brackets are included with each fixture.

FINISH: Fixture housing and steel components are finished in baked white enamel applied over a five-stage pretreatment process.

LAMPS: Fixtures are provided for use with T8, T5, T5HO, or compact fluorescent lamps. (Supplied by Others)

CERTIFICATION: Luminaires are U.L. Listed, C.S.A. certified and are Union Made in the United States of America I.B.E.W.

TYPE

Ordering Guide

MODEL NO.	NUMBER OF LAMPS	LAMPS	SIZE	MOUNTING	FINISH	VOLTAGE	OPTIONS
NAS-PO			22				
NAS-PO	2 3	40-CF 50-CF T8 T5 T5H T5HO	22 = 2 x 2	G = Standard Lay-in Grid MG = Miniature Grid F = Flanged	W = White CC = Custom Color	UNV = 120/277	DIM = Dimming Ballast EPC = Emergency Battery Pack EMC = Emergency Circuit TCW = Two Circuit Wiring ARS = Air return system FWH = Flexible wiring harness OTH = Other options available, see page 355

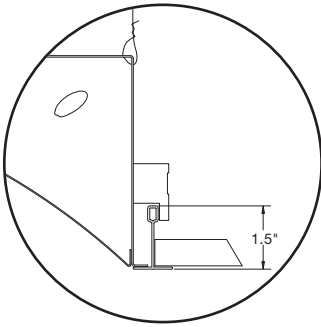
Example » NAS-PO | 240CF | 22 | G | W | UNV

New Age Series with perforated lamp shield two 40 watt compact fluorescent 2 x 2 grid fixture finished in baked white enamel universal voltage electronic ballast less than 10% harmonics.



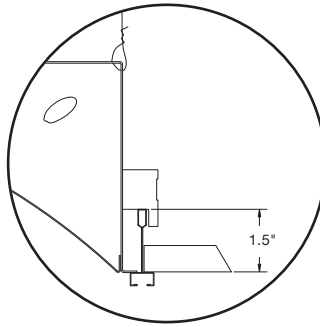
Linear Sections and Suspension Location

MOUNTING "G"



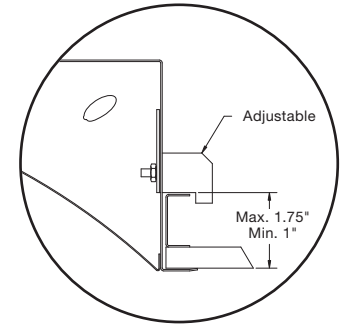
Std. 1 1/2" Inverted "T" Bar

MOUNTING "MG"



1 1/2" Miniature Grid Ceiling

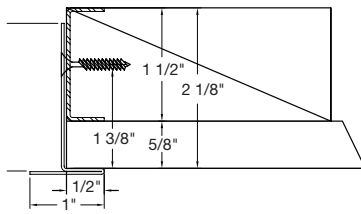
MOUNTING "F"



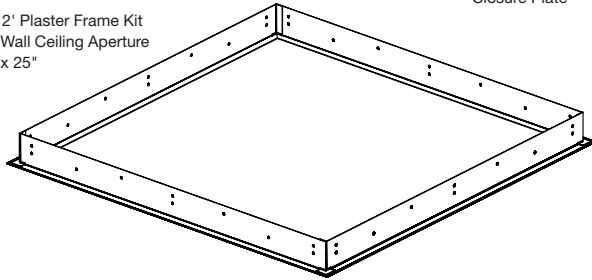
Plaster Or Dry Wall Ceiling
(Optional)

Installation Preparation

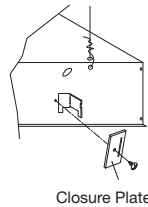
Plaster Frame Detail (All 4 Sides)



2' x 2' Plaster Frame Kit
Dry Wall Ceiling Aperture
25" x 25"



Side Elevation Detail
(See Mounting "G")



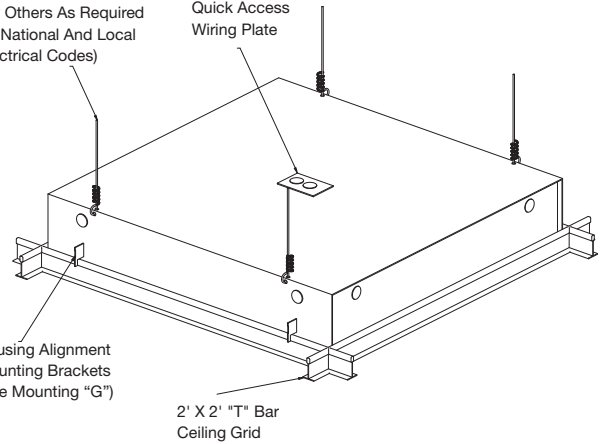
Closure Plate

Wire Ties Or Chains
(By Others As Required
By National And Local
Electrical Codes)

Quick Access
Wiring Plate

Housing Alignment
Mounting Brackets
(See Mounting "G")

2' X 2' "T" Bar
Ceiling Grid



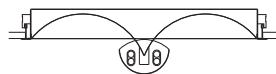
Photometry

COEFFICIENTS OF UTILIZATION-ZONAL CAVITY METHOD

pfc = 0.20

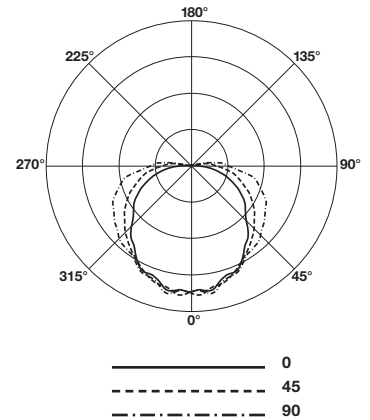
pcc	.8			.7			.5			.3			.1			0		
	.7	.5	.3	.1	.7	.5	.3	.1	.5	.3	.1	.5	.3	.1	.5	.3	.1	0
RCR																		
0	76	76	76	76	74	74	74	74	70	70	70	66	66	66	63	63	63	61
1	67	63	60	57	65	62	58	55	58	55	53	55	53	51	52	50	48	47
2	60	54	49	44	58	52	48	43	49	45	42	47	43	40	44	41	39	37
3	54	47	41	36	52	45	40	35	43	38	34	40	36	33	38	35	32	30
4	50	41	35	30	48	40	34	29	38	32	28	36	31	28	34	30	27	25
5	45	36	30	25	44	35	29	25	33	28	24	32	27	24	30	26	23	21
6	42	32	26	22	40	32	26	21	30	25	21	29	24	20	27	23	20	18
7	39	29	23	19	37	28	23	19	27	22	18	26	21	18	25	21	18	16
8	36	27	21	17	35	26	20	17	25	20	16	24	19	16	23	19	16	14
9	33	24	19	15	32	24	18	15	23	18	14	22	17	14	21	17	14	13
10	31	22	17	13	30	22	17	13	21	16	13	20	16	13	19	15	13	11

Total Luminaire
Optical Efficiency = 64.7%



CANDELA DISTRIBUTION

Vert. Angle	225	247.5	270	292.5	315
	0	1058	1058	1058	1058
5	1047	1038	1142	1040	1061
15	991	1016	1027	1026	1008
25	984	931	948	959	981
35	812	818	864	889	865
45	668	700	774	818	843
55	572	582	670	750	772
65	435	458	548	671	711
75	280	327	417	554	615
85	131	193	290	373	413
95	18.4	91.7	168	246	266
105	4.88	20	32.1	32.6	34.3
115	2.60	6.86	12.3	6.82	0.47
125	1.03	3.06	4.03	2.65	0.32
135	0.17	1.62	1.86	1.47	0
145	0.63	0.53	1.40	0.78	0
155	0.38	0	0	0	0
165	0	0	0.26	0	0
175	0	0	0	0	0
180	0	0	0	0	0



Lamp (2) 40w C.F.

Lumens: 3150 Per Lamp

Optical Distribution:
100% Direct

Day-O-Lite reserves the right to change product specifications without notice for product improvement.