

**TYPE** \_\_\_\_\_

**FEATURES**

The G4-DI-4 presents a unique shallow winged profile and is one variation of a complete family of suspended linear fluorescent luminaires. The G4-DI-4 is a direct/indirect version of the family of luminaires and provides exceptional performance. Constructed of perforated steel and aluminum extrusions, it features a "reveal" between modules in continuous rows. The computer designed optical system creates a widespread indirect distribution while offering a wide variety of direct perforated accent patterns along its wings creating its own unique styling contrast.

**SPECIFICATIONS**

**Housing:** One piece die formed 20 gauge cold rolled steel welded construction forming a 2 5/8" x 11" wave profile. Continuous obround pattern is 3/16" x 1/2" straight with white .020 translucent overlay. The housing ends are die formed extruded aluminum. The decorative intermediate end caps are provided for mounting and joining individual fixtures in rows. Finished ends are laser cut aluminum, with no exposed hardware or knockouts.

**Reflector:** Die formed 20-gauge cold rolled steel minimum 90% reflectivity in high gloss white enamel with die formed .025 specular anodized aluminum center reflector.

**Electrical:** Ballast is electronic, high power factor, thermally protected class P, sound rated A, with less than 20% total harmonic distortion. The minimum number of ballasts will be used unless otherwise specified.

**Mounting:** Standard Installation is an adjustable self-locking aircraft cable assembly 48" x 3/32" in diameter with 5" canopy. One 1/4 SJT straight 54" cord is supplied with each power feed. Standard pendants are available in 24" lengths. See Accessories for additional mounting.

**Finish:** Fixture housing and steel components are finished in baked white enamel applied over a five-stage pretreatment process.

**Lamps:** Fixtures are provided for use with two 32 watt T8 lamps. (Supplied by Others)

**Certification:** Luminaires are U. L. Listed, C. S. A. certified and are Union Made in the United States of America I.B.E.W.

**ORDERING GUIDE**

MODEL NO.	DIRECTION	SHIELDING	LAMPS	MOUNTING	LENGTH	FINISH	VOLTAGE	OPTIONS
<b>G4</b>	- <b>DI</b>	- <b>4</b>	- <b>232T8</b>	- <b>AC</b>	- <b>4</b>	- <b>W</b>	- <b>120v</b>	- <b>See Options Below</b>
<b>G4</b>	<b>DI</b> = Direct/ Indirect	<b>4</b> =Obround Continuous	<b>232T8</b>	<b>AC</b> = Cable <b>PD</b> = Pendant	<b>4</b> = 4 ft <b>8</b> = 8 ft	<b>W</b> = White <b>CC</b> = Custom Color	<b>120v</b> <b>277v</b>	
			<b>O</b> =Other Specify	See Accessories	for other, please enter row length (eg. 48=48ft)			

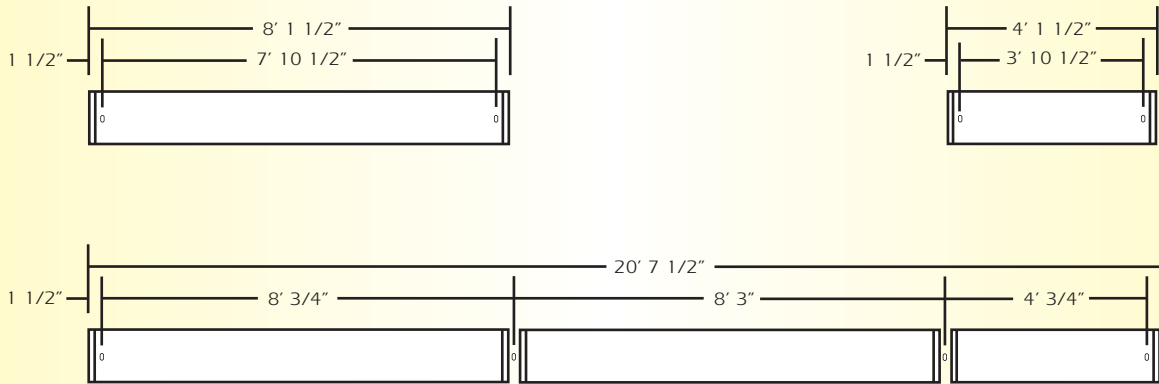
Example: **G4-DI-4-232T8-AC-4-W-277V**

Generation Four with obround continuous pattern with opal overlay for two 32 watt T8 lamps with two 48 inch aircraft cables and power feed four foot fixture finished in baked white enamel with 277v electronic ballast less than 20% total harmonic distortion.

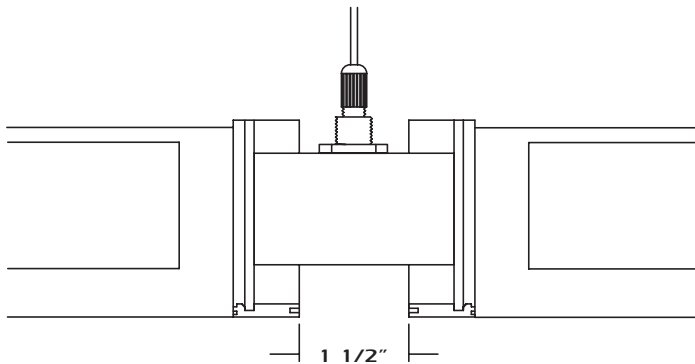
**OPTIONS**

- E10=** Electronic ballast, high power factor, thermally protected class P, sound rated A, < 10% total harmonic distortion
- DIM=** Dimming Ballast
- EPC=** Emergency Battery Pack
- EMC=** Emergency Circuit
- TCW=** Two Circuit Wiring
- TDW=** Tandem Wiring
- QCW=** Quick Connect Wiring
- OTH=** See Accessories for other options available

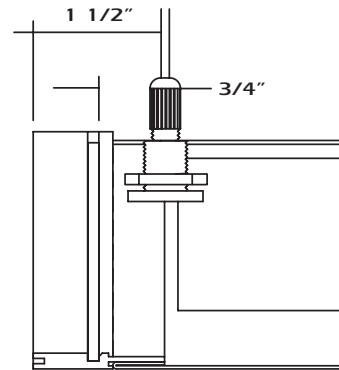
## LINEAR SECTIONS AND SUSPENSION LOCATION



## INSTALLATION PREPARATION

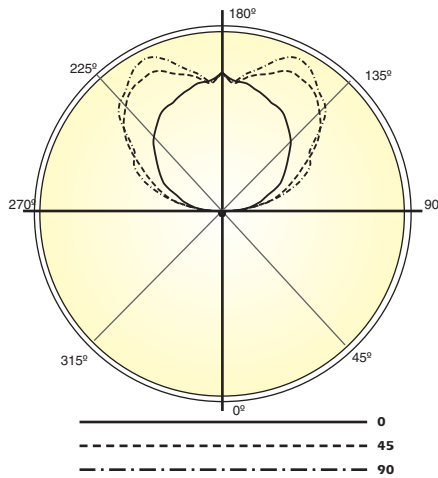


TYPICAL JOINT DETAIL



TYPICAL END DETAIL

## PHOTOMETRY



LAMP (2) 32W T8  
LUMENS: 2900 PER LAMP

### Candela Distribution:

Vert. Angle	0	22.5	45	67.5	90
0	40	40	40	40	40
5	38	41	35	41	32
15	35	32	30	33	31
25	33	29	33	37	30
35	28	28	33	32	27
45	24	26	25	28	27
55	21	20	21	30	30
65	15	16	21	25	27
75	13	11	19	23	24
85	6	9	17	21	24
95	139	139	137	137	132
105	321	390	442	476	469
115	494	630	634	688	743
125	615	809	897	870	846
135	759	943	1081	1115	1149
145	872	1004	1200	1291	1269
155	932	1023	1215	1252	1330
165	992	1010	1110	1150	1161
175	1028	1063	1008	1035	1021
180	1091	1091	1091	1091	1091

Optical Distribution:  
97% Indirect: 3% Direct

### Coefficients of Utilization - Zonal Cavity Method:

pfc = 0.20

	.8	.7	.5	.3	.1	0
pcc	.8	.7	.5	.3	.1	0
pw	.7	.5	.3	.1	.5	.3
RCR	.1	.7	.5	.3	.1	.5
0	76	76	76	76	65	65
1	69	66	63	60	59	56
2	63	57	53	49	53	49
3	57	50	45	40	49	43
4	52	44	38	34	44	38
5	47	39	33	29	40	34
6	43	35	29	25	37	30
7	40	31	25	21	34	27
8	37	28	22	18	32	24
9	34	25	20	16	29	22
10	32	23	18	14	27	20



Total Luminaire Optical  
Efficiency = 79%