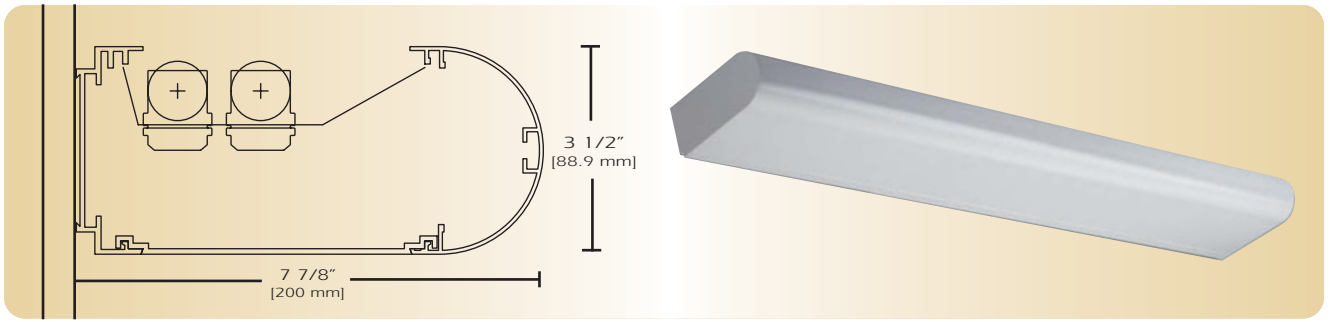


# Ovals

AD-357-I-WM



TYPE \_\_\_\_\_

FEATURES

The AD357 oval aluminum luminaire is distinguished by its low profile and contemporary design. This high quality luminaire is suitable for most lighting systems and can be wall mounted to suit any project. The highly efficient design produces a uniform indirect light distribution. The AD357 is ideal where style quality and performance applications apply.

SPECIFICATIONS

**Housing:** Three piece heavy gauge extruded aluminum 6063T5 alloy welded construction forming a 3 1/2" x 7 7/8" oval profile. Finished end caps are welded to housing with no exposed hardware or knockouts.

**Reflector:** Die formed 20-gauge cold rolled steel minimum 90% reflectivity finished in high gloss baked white enamel.

**Electrical:** Ballast is electronic, high power factor, thermally protected class P, sound rated A, with less than 20% total harmonic distortion. The minimum number of ballasts will be used unless otherwise specified.

**Mounting:** Standard mounting holes are 5 1/4" in from each end for ease of installation.

**Finish:** Fixture housing and steel components are finished in baked white enamel applied over a five-stage pretreatment process.

**Lamps:** Fixtures are provided for use with one, two or three 32 watt T8 lamps or 54 watt T5 HO lamps. (Supplied by Others)

**Certification:** Luminaires are U. L. Listed, C. S. A. certified and are Union Made in the United States of America I.B.E.W.

ORDERING GUIDE

MODEL NO.	DIRECTION	LAMPS	MOUNTING	LENGTH	FINISH	VOLTAGE	OPTIONS
<b>AD-357</b>	<b>I</b>	<b>132 T8</b> <b>232 T8</b> <b>332 T8</b> <b>154T5 HO</b> <b>254T5 HO</b> <b>354T5 HO</b>	<b>WM= Wall Mounted</b>	<b>4= ft</b> <b>8= ft</b>	<b>W= White</b> <b>CC= Custom Color</b>	<b>120v</b> <b>277v</b>	<b>See Options Below</b>
		<b>O= Other Specify</b>	See Accessories	for other, please enter row length (eg. 48=48ft)			

Example: **AD-357-I-232T8-WM-4-120V**  
AD 357 indirect for two 32 watt T8 lamps wall mounted four foot fixture finished in baked white enamel 120v electronic ballast less than 20% total harmonic distortion.

OPTIONS

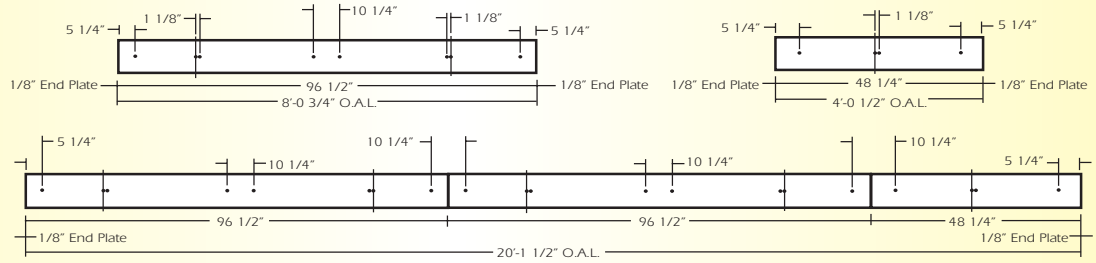
- E10=** Electronic ballast, high power factor, thermally protected class P, sound rated A, < 10% total harmonic distortion
- DIM=** Dimming Ballast
- EPC=** Emergency Battery Pack
- EMC=** Emergency Circuit
- TCW=** Two Circuit Wiring
- TDW=** Tandem Wiring
- OTH=** See Accessories for other options available

# Ovals

AD-357-I-WM

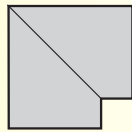
LINEAR SECTIONS AND SUSPENSION LOCATION

## WALL MOUNTING

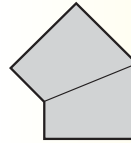


## CORNERS

Corners and fixture extensions are custom fabricated to precise dimensions. Please indicate the specific requirements on the layout



**C2**  
90° Corner

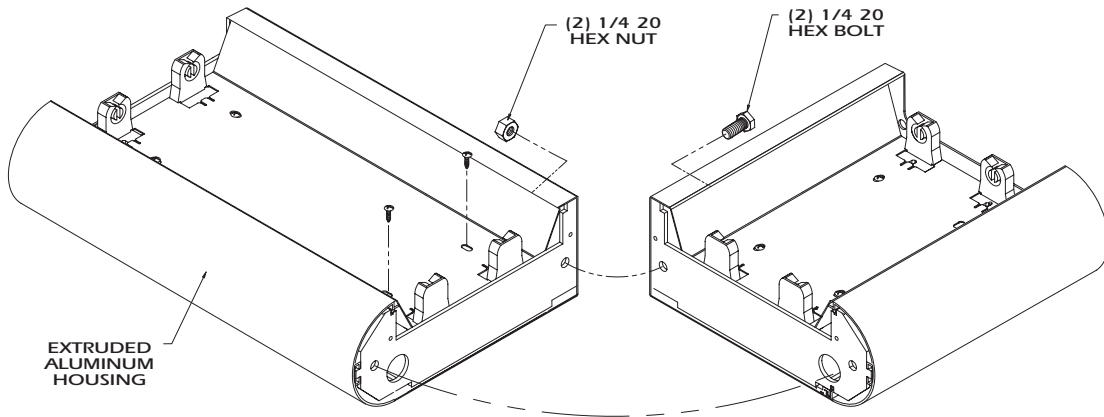


**( )° AC**  
Angular Corner

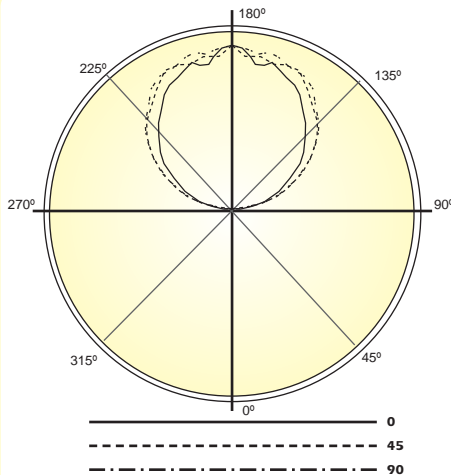
For any angular corner, ( )° must be specified and dimensions must be included on the layout

For any pattern, a layout must accompany the order.

INSTALLATION PREPARATION



PHOTOMETRY



LAMP (2) 32W T8  
LUMENS: 2900 PER LAMP

### Candela Distribution:

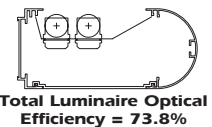
Vert. Angle	0	22.5	45	67.5	90
90	12.4	26.1	34.5	47.1	49.6
95	78.2	90.6	108	119	123
100	191	219	226	237	237
105	300	337	357	372	382
110	385	462	482	505	513
115	485	578	591	617	614
120	573	659	704	722	737
125	693	760	810	825	840
130	766	849	909	931	949
135	846	917	994	1021	1035
140	941	990	1053	1106	1101
145	1005	1084	1115	1166	1193
150	1102	1154	1210	1246	1240
155	1145	1188	1268	1269	1265
160	1192	1207	1262	1282	1289
165	1244	1253	1246	1287	1331
170	1195	1268	1273	1263	1290
175	1303	1311	1265	1254	1331
180	1346	1346	1346	1346	1346

Optical Distribution:  
100% Indirect

### Coefficients of Utilization - Zonal Cavity Method:

pfc = 0.20

	.8	.7	.5	.3	.1	0												
pcc	.8	.7	.5	.3	.1	0												
pw	.7	.5	.3	.1	.5	.3	.1	.5	.3	.1	0							
RCR																		
0	70	70	70	70	60	60	60	40	40	40	23	23	23	7	7	7	0	
1	63	60	58	55	54	52	50	48	35	34	33	20	19	19	6	6	6	0
2	58	53	49	45	49	45	42	39	31	29	27	17	16	16	5	5	5	0
3	52	46	41	37	45	39	35	32	27	24	22	15	14	13	5	4	4	0
4	48	41	35	31	41	35	30	27	24	21	19	14	12	11	4	4	3	0
5	44	36	30	26	37	31	26	23	21	18	16	12	10	9	4	3	3	0
6	40	32	26	22	34	27	23	19	19	16	14	11	9	8	3	3	2	0
7	37	28	23	19	31	24	20	17	17	14	12	9	8	7	3	2	2	0
8	34	26	20	17	29	22	18	15	15	12	10	9	7	6	2	2	2	0
9	31	23	18	15	27	20	16	13	14	11	9	8	6	5	2	2	1	0
10	29	21	16	13	25	18	14	11	12	10	8	7	5	4	2	1	1	0



Total Luminaire Optical Efficiency = 73.8%