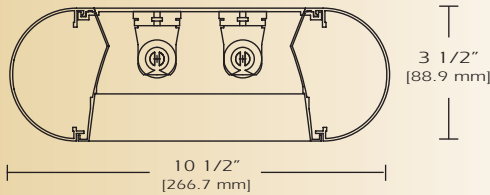


# Ovals

AD3510-DI



**TYPE** \_\_\_\_\_

**FEATURES**

The AD3510 oval aluminum luminaire is distinguished by its low profile and contemporary design. This high quality luminaire is suitable for most lighting systems and can be mounted to suit any project. The highly efficient design produces a uniform direct and indirect light distribution. The AD3510 is ideal where style quality and performance applications apply.

**SPECIFICATIONS**

- Housing:** Two piece heavy gauge extruded aluminum 6063T5 alloy welded construction forming a 3 1/2" x 10 1/2" oval profile. Finished end caps are welded to housing with no exposed hardware or knockouts.
- Reflector:** Die formed 20-gauge cold rolled steel minimum 90% reflectivity finished in high gloss baked white enamel.
- Shielding:** Parabolic louvers are semi-specular low iridescence aluminum 1 1/4" x 2.4" O.C. with 20 cells per 4' section. Four spring clips secure snap in baffle including two tethers.
- Electrical:** Ballast is electronic, high power factor, thermally protected class P, sound rated A, with less than 20% total harmonic distortion. The minimum number of ballasts will be used unless otherwise specified.
- Mounting:** Standard installation is an adjustable self-locking aircraft assembly 48" x 3/32" in diameter with 5" canopy. One 16/4 SJT straight 54" cord is supplied by each power feed. Standard pendants are available in 24" lengths. See Accessories for additional mounting.
- Finish:** Fixture housing and steel components are finished in baked white enamel applied over a five-stage pretreatment process.
- Lamps:** Fixtures are provided for use with two or three 32 watt T8 lamps or 54 watt T5 HO lamps. (Supplied by Others)
- Certification:** Luminaires are U. L. Listed, C. S. A. certified and are Union Made in the United States of America I.B.E.W.

**ORDERING GUIDE**

MODEL NO.	DIRECTION	SHIELDING	LAMPS	MOUNTING	LENGTH	FINISH	VOLTAGE	OPTIONS
<b>AD3510</b>	<b>DI</b>							
<b>AD3510</b>	<b>DI</b> =Direct/ Indirect	<b>PBL</b> =Parabolic Louvers <b>SCB</b> =Steel Cross Baffle <b>PRS</b> =Prismatic Acrylic <b>WOA</b> =White Opal Acrylic	<b>232T8</b> <b>332T8</b> <b>254T5 HO</b> <b>354T5 HO</b> <b>O</b> =Other Specify	<b>AC</b> = Cable <b>PD</b> = Pendant  See Accessories	<b>4</b> = 4 ft <b>8</b> = 8 ft  for other, please enter row length (eg. 48=48ft)	<b>W</b> = White <b>CC</b> = Custom Color	<b>120v</b> <b>277v</b>	<b>See Options Below</b>

Example: **AD-3510-DI-PBL-232T8-AC-4-W-120V**  
 AD-3510 direct / indirect with parabolic louvers for two 32 watt T8 lamps including two 48 inch aircraft cables and power feed four foot fixture finished in baked white enamel 120v electronic ballast less than 20% total harmonic distortion.

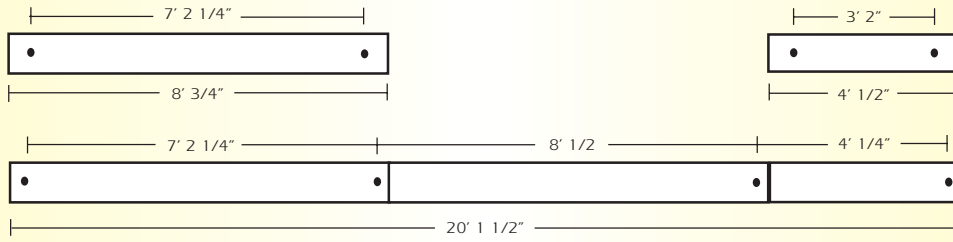
**OPTIONS**

- E10=** Electronic ballast, high power factor, thermally protected class P, sound rated A, < 10% total harmonic distortion
- DIM=** Dimming Ballast
- EPC=** Emergency Battery Pack
- EMC=** Emergency Circuit
- TCW=** Two Circuit Wiring
- TDW=** Tandem Wiring
- OTH=** See Accessories for other options available

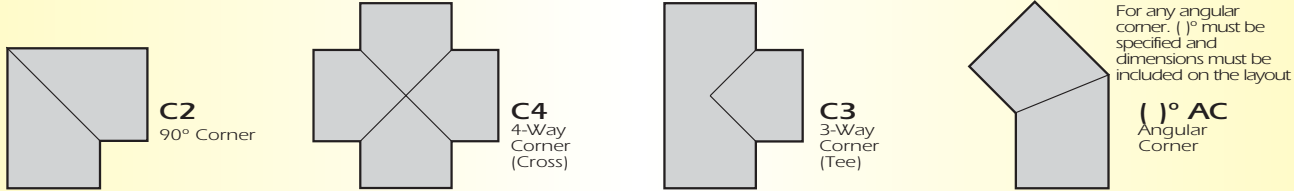
# Ovals

AD3510-DI

LINEAR SECTIONS AND SUSPENSION LOCATION

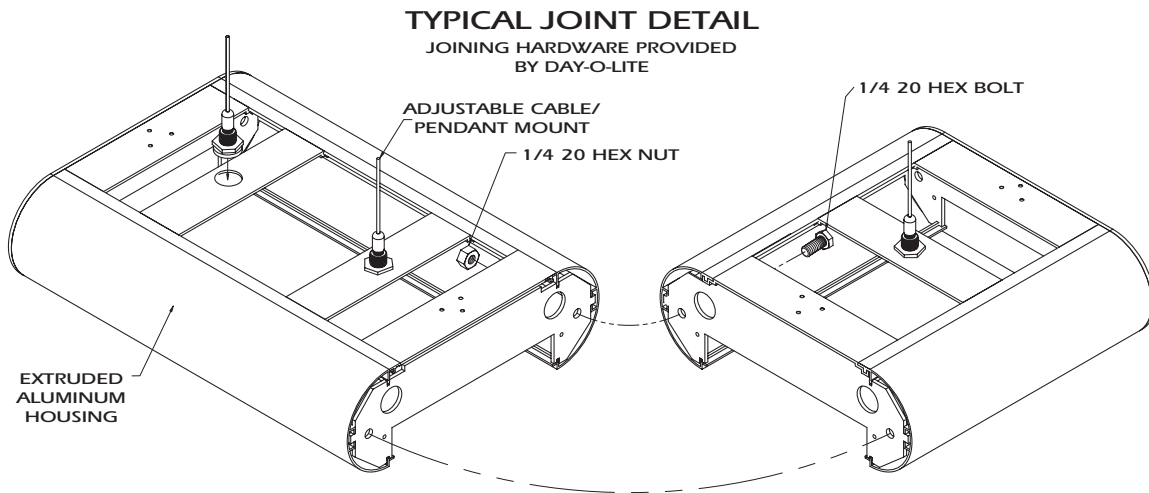


**CORNERS** Corners and fixture extensions are custom fabricated to precise dimensions. Please indicate the specific requirements on the layout

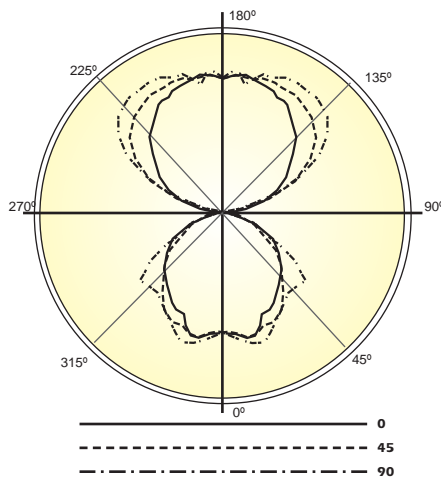


For any pattern, a layout must accompany the order.

INSTALLATION PREPARATION



PHOTOMETRY



LAMP (2) 32W T8  
LUMENS: 2900 PER LAMP  
PARABOLIC LOUVER

**Candela Distribution:**

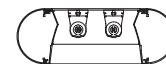
Vert. Angle	0	22.5	45	67.5	90
0	710	710	710	710	710
5	754	761	718	753	754
15	742	726	744	767	806
25	626	673	718	720	717
35	540	585	608	615	632
45	463	488	469	539	606
55	364	367	375	488	518
65	204	215	207	226	230
75	87.6	90.0	80.8	99.3	104
85	27.2	24.6	20.8	24.1	29.8
95	89.6	50.0	32.3	37.9	31.9
105	245	280	241	210	199
115	362	442	485	517	500
125	473	569	650	711	741
135	584	647	747	819	849
145	668	714	798	840	871
155	750	754	812	856	880
165	788	781	822	813	842
175	818	833	830	805	825
180	797	797	797	797	797

**Optical Distribution:**  
60% Indirect, 40% Direct

**Coefficients of Utilization - Zonal Cavity Method:**

pfc = 0.20

	.8	.7	.5	.3	.1	0
0	93	93	93	93	93	93
1	85	81	78	75	77	74
2	77	71	66	61	70	65
3	70	62	56	51	64	57
4	64	55	48	43	58	50
5	59	49	42	37	53	45
6	54	44	37	31	49	40
7	50	39	32	27	45	36
8	46	36	29	24	42	33
9	43	32	26	21	39	30
10	40	30	23	19	36	27



**Total Luminaire Optical Efficiency = 88.8%**