

Other shielding perforation options available, see page 360

Features

The G2-I is one variation of a complete family of suspended linear fluorescent luminaires. The G2-I is an indirect version of the family of luminaires. The computer designed optical system creates a widespread soft indirect distribution. The low profile and modern design provide excellent efficiency and styling where high performance and uniform lighting are required.

Specifications

HOUSING: One piece die formed 20-gauge cold rolled steel welded construction forming a 6" x 2" rounded profile. Finished end caps are laser cut 16-gauge cold rolled steel, with no exposed hardware or knockouts. Aligner brackets are provided to eliminate light leaks and for precision alignment of continuous rows.

REFLECTOR: Die formed 20-gauge cold rolled steel minimum 90% reflectivity finished in high gloss baked white enamel with die formed side reflectors.

ELECTRICAL: Ballast is electronic, universal voltage 120/277, high power factor, thermally protected, sound rated A with less than 10% total harmonic distortion. Luminaires in rows are pre-wired with quick connect through wiring. The minimum number of ballasts will be used unless otherwise specified.

BALLAST DISCONNECT: Luminaires are pre-wired with integrated locking disconnects.

MOUNTING: Standard Installation is an adjustable self-locking aircraft cable assembly 48" x 3/32" in diameter with 5" canopy. One 16/4 SJT straight 54" cord is supplied with each power feed. Standard pendants are available in 24" lengths. See Mounting Options pages for additional mounting.

FINISH: Fixture housing and steel components are finished in baked white enamel applied over a five-stage pretreatment process.

LAMPS: Fixtures are provided for use with one or two T5 or T5HO lamps. (Supplied by Others)

CERTIFICATION: Luminaires are U. L. Listed, C.S.A. certified and are Union Made in the United States of America I.B.E.W.

TYPE

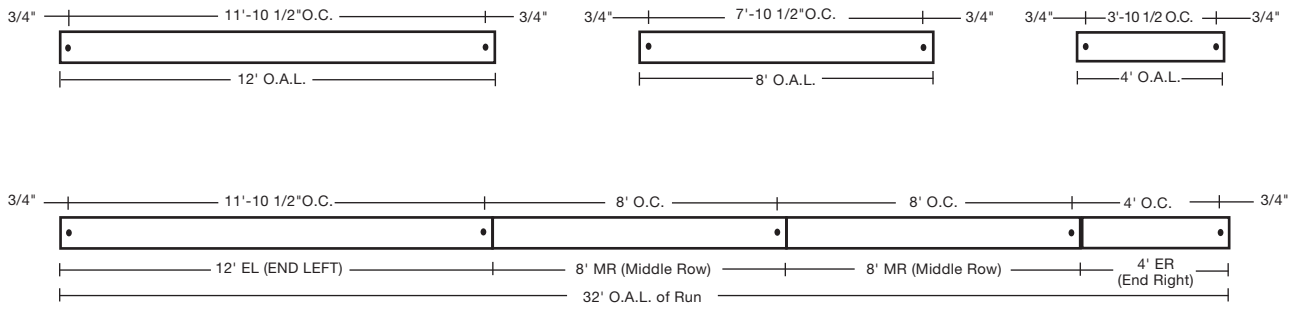
Ordering Guide

MODEL NO.	DIRECTION	SHIELDING	NUMBER OF LAMPS	LAMPS	MOUNTING	ROW LENGTH	FINISH	VOLTAGE	OPTIONS
G2	I	1							
G2	I = Indirect	1 = Solid (shown) Other shielding options available, see page 360	1 2	T5 T5HO	AC = Cable PD = Pendant Other mounting options available, see pgs. 357-359	4 = 4 ft 8 = 8 ft 12 = 12 ft For other, please enter row length (eg. 48 = 48 ft)	W = White CC = Custom Color	UNV = 120/277	DIM = Dimming Ballast EPC = Emergency Battery Pack EMC = Emergency Circuit TCW = Two Circuit Wiring SPEC = Specular Side Reflectors OTH = Other options available, see page 355

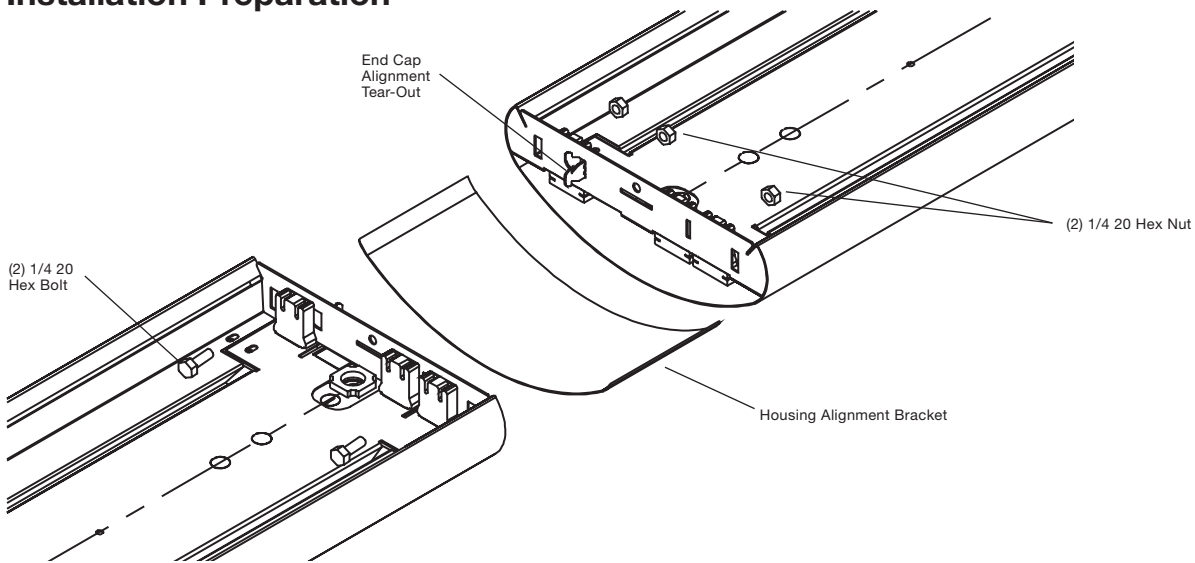
Example » G2 | I | 1 | 2T5HO | AC | 4 | W | UNV

Generation Two rounded profile for two 54 watt T5HO lamps with two 48 inch aircraft cables and power feed four foot fixture finished in baked white enamel with universal voltage electronic ballast less than 10% total harmonic distortion.

Linear Sections and Suspension Location



Installation Preparation



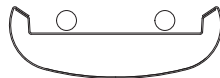
Photometry

COEFFICIENTS OF UTILIZATION-ZONAL CAVITY METHOD

pf_c = 0.20

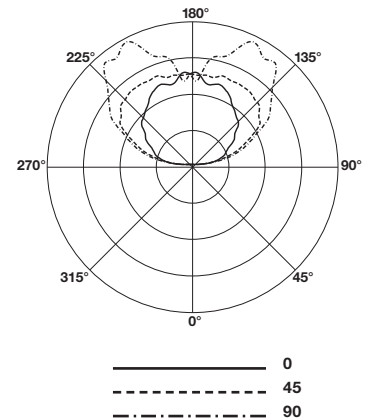
pcc	.8				.7				.5				.3				.1				0
pw	.7	.5	.3	.1	.7	.5	.3	.1	.5	.3	.1	.5	.3	.1	.5	.3	.1	.5	.3	.1	0
RCR																					
0	83	83	83	83	71	71	71	71	49	49	49	28	28	28	9	9	9	0	0	0	0
1	76	72	69	66	64	62	59	57	42	41	39	24	24	23	7	7	7	0	0	0	0
2	69	63	58	54	59	54	50	47	37	35	33	21	20	19	6	6	6	0	0	0	0
3	63	55	49	45	53	47	43	39	32	30	27	19	17	16	5	5	5	0	0	0	0
4	57	49	42	37	49	42	37	33	29	25	23	17	15	14	4	4	4	0	0	0	0
5	52	43	36	32	44	37	32	28	25	22	19	15	13	12	4	4	4	0	0	0	0
6	48	38	32	27	41	33	27	24	23	19	17	13	11	10	3	3	3	0	0	0	0
7	44	34	28	23	37	29	24	20	20	17	14	12	10	9	3	3	3	0	0	0	0
8	41	31	24	20	34	26	21	18	18	15	12	11	9	7	2	2	2	0	0	0	0
9	37	28	22	18	32	24	19	15	17	13	11	10	8	7	2	2	2	0	0	0	0
10	35	25	19	16	30	22	17	14	15	12	10	9	7	6	2	2	2	0	0	0	0

Total Luminaire Optical Efficiency = 87.0%



CANDELA DISTRIBUTION

Vert. Angle	0	22.5	45	67.5	90
90	55	39	41	39	31
95	372	333	334	337	331
100	536	602	652	697	695
105	666	857	883	956	960
110	737	1078	1139	1151	1187
115	838	1297	1379	1399	1418
120	977	1545	1618	1709	1722
125	1045	1613	1847	1877	1885
130	1209	1742	1997	2062	2046
135	1261	1766	2226	2310	2276
140	1334	1807	2316	2363	2546
145	1400	1808	2353	2496	2485
150	1518	1812	2218	2581	2619
155	1592	1795	2120	2490	2599
160	1640	1816	2099	2159	2271
165	1595	1736	1962	2048	2150
170	1610	1747	1759	1906	2026
175	1763	1725	1628	1798	1630
180	1753	1753	1753	1753	1753



Lamp (2) 54w T5HO
Lumens: 5000 Per Lamp

Optical Distribution:
100% Indirect

Day-O-Lite reserves the right to change product specifications without notice for product improvement.