

Other shielding perforation options available, see page 360

Features

The G2-I is one variation of a complete family of suspended linear fluorescent luminaires. The G2-I is an indirect version of the family of luminaires. The computer designed optical system creates a widespread soft indirect distribution. The low profile and modern design provide excellent efficiency and styling where high performance and uniform lighting are required.

Specifications

HOUSING: One piece die formed 20-gauge cold rolled steel welded construction forming a 6" x 2" rounded profile. Finished end caps are laser cut 16-gauge cold rolled steel, with no exposed hardware or knockouts. Aligner brackets are provided to eliminate light leaks and for precision alignment of continuous rows.

REFLECTOR: Die formed 20-gauge cold rolled steel minimum 90% reflectivity finished in high gloss baked white enamel with die formed side reflectors.

ELECTRICAL: Ballast is electronic, universal voltage 120/277, high power factor, thermally protected, sound rated A with less than 10% total harmonic distortion. Luminaires in rows are pre-wired with quick connect through wiring. The minimum number of ballasts will be used unless otherwise specified.

BALLAST DISCONNECT: Luminaires are pre-wired with integrated locking disconnects.

MOUNTING: Standard Installation is an adjustable self-locking aircraft cable assembly 48" x 3/32" in diameter with 5" canopy. One 16/4 SJT straight 54" cord is supplied with each power feed. Standard pendants are available in 24" lengths. See Mounting Options pages for additional mounting.

FINISH: Fixture housing and steel components are finished in baked white enamel applied over a five-stage pretreatment process.

LAMPS: Fixtures are provided for use with one or two T5 or T5HO lamps. (Supplied by Others)

CERTIFICATION: Luminaires are U. L. Listed, C.S.A. certified and are Union Made in the United States of America I.B.E.W.

TYPE

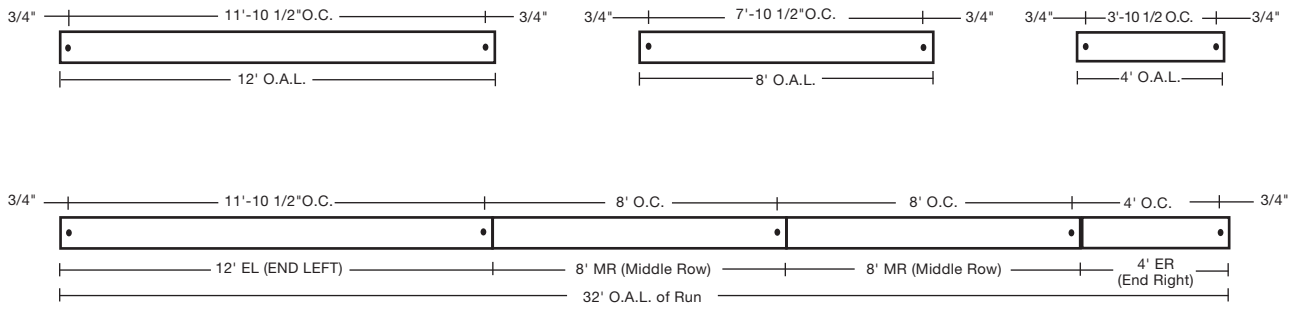
Ordering Guide

| MODEL NO. | DIRECTION | SHIELDING | NUMBER OF LAMPS | LAMPS | MOUNTING | ROW LENGTH | FINISH | VOLTAGE | OPTIONS |
|-----------|--------------|--|-----------------|------------|--|---|--------------------------------|---------------|--|
| G2 | I | 1 | | | | | | | |
| G2 | I = Indirect | 1 = Solid (shown) Other shielding options available, see page 360 | 1 2 | T5 T5HO | AC = Cable PD = Pendant Other mounting options available, see pgs. 357-359 | 4 = 4 ft 8 = 8 ft 12 = 12 ft For other, please enter row length (eg. 48 = 48 ft) | W = White CC = Custom Color | UNV = 120/277 | DIM = Dimming Ballast EPC = Emergency Battery Pack EMC = Emergency Circuit TCW = Two Circuit Wiring SPEC = Specular Side Reflectors OTH = Other options available, see page 355 |

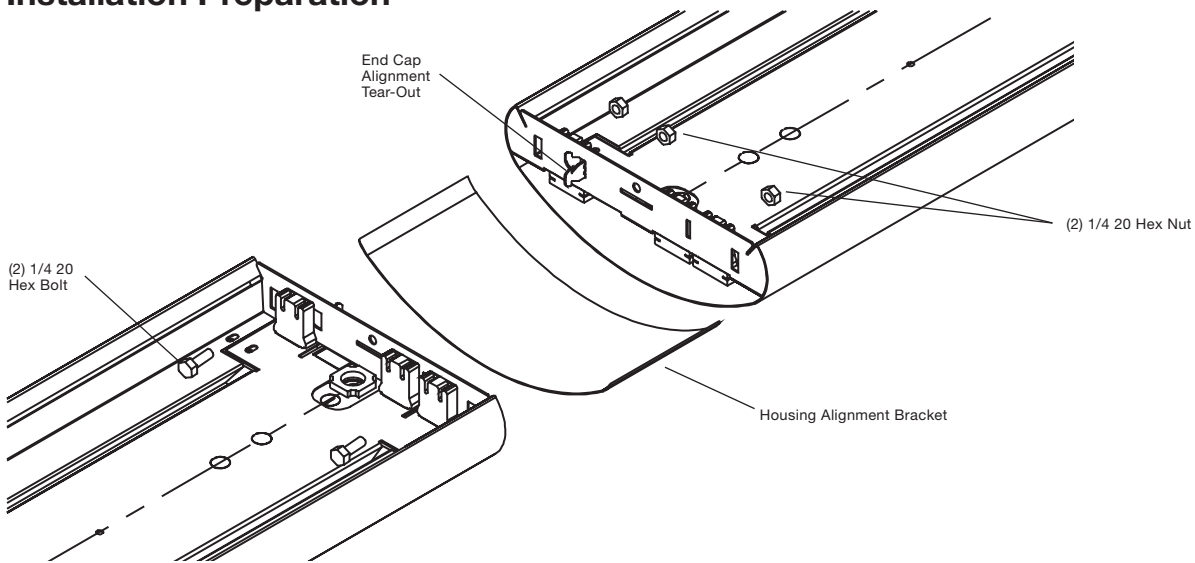
Example » G2 | I | 1 | 2T5HO | AC | 4 | W | UNV

Generation Two rounded profile for two 54 watt T5HO lamps with two 48 inch aircraft cables and power feed four foot fixture finished in baked white enamel with universal voltage electronic ballast less than 10% total harmonic distortion.

Linear Sections and Suspension Location



Installation Preparation



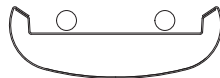
Photometry

COEFFICIENTS OF UTILIZATION-ZONAL CAVITY METHOD

pf_c = 0.20

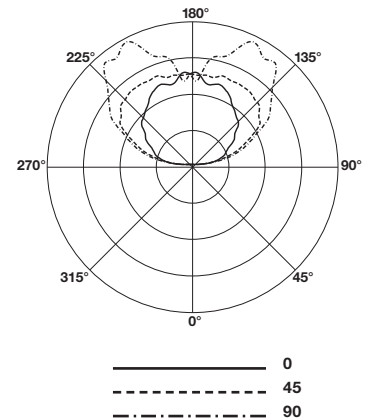
| pcc pw | .8 | | | | .7 | | | | .5 | | | | .3 | | | | .1 | | | | 0 | | | | | | | | | | | | | | | | | | | | | | | | | | |
|------------|----|----|----|----|----|----|----|----|----|----|----|----|----|----|----|----|----|----|----|----|----|----|----|----|----|----|----|----|----|----|----|----|----|----|----|---|---|---|---|---|---|---|---|---|---|---|---|
| | .7 | .5 | .3 | .1 | .7 | .5 | .3 | .1 | .5 | .3 | .1 | .5 | .3 | .1 | .5 | .3 | .1 | .5 | .3 | .1 | .5 | .3 | .1 | .5 | .3 | .1 | .5 | .3 | .1 | .5 | .3 | .1 | .5 | .3 | .1 | | | | | | | | | | | | |
| RCR | | | | | | | | | | | | | | | | | | | | | | | | | | | | | | | | | | | | | | | | | | | | | | | |
| 0 | 83 | 83 | 83 | 83 | 71 | 71 | 71 | 71 | 49 | 49 | 49 | 28 | 28 | 28 | 9 | 9 | 9 | 0 | 0 | 0 | 0 | 0 | 0 | 0 | 0 | 0 | 0 | 0 | 0 | 0 | 0 | 0 | 0 | 0 | 0 | 0 | | | | | | | | | | | |
| 1 | 76 | 72 | 69 | 66 | 64 | 62 | 59 | 57 | 42 | 41 | 39 | 24 | 24 | 23 | 7 | 7 | 7 | 0 | 0 | 0 | 0 | 0 | 0 | 0 | 0 | 0 | 0 | 0 | 0 | 0 | 0 | 0 | 0 | 0 | 0 | 0 | 0 | 0 | | | | | | | | | |
| 2 | 69 | 63 | 58 | 54 | 59 | 54 | 50 | 47 | 37 | 35 | 33 | 21 | 20 | 19 | 6 | 6 | 6 | 0 | 0 | 0 | 0 | 0 | 0 | 0 | 0 | 0 | 0 | 0 | 0 | 0 | 0 | 0 | 0 | 0 | 0 | 0 | 0 | 0 | 0 | 0 | | | | | | | |
| 3 | 63 | 55 | 49 | 45 | 53 | 47 | 43 | 39 | 32 | 30 | 27 | 19 | 17 | 16 | 5 | 5 | 5 | 0 | 0 | 0 | 0 | 0 | 0 | 0 | 0 | 0 | 0 | 0 | 0 | 0 | 0 | 0 | 0 | 0 | 0 | 0 | 0 | 0 | 0 | 0 | 0 | | | | | | |
| 4 | 57 | 49 | 42 | 37 | 49 | 42 | 37 | 33 | 29 | 25 | 23 | 17 | 15 | 14 | 4 | 4 | 4 | 0 | 0 | 0 | 0 | 0 | 0 | 0 | 0 | 0 | 0 | 0 | 0 | 0 | 0 | 0 | 0 | 0 | 0 | 0 | 0 | 0 | 0 | 0 | 0 | 0 | 0 | | | | |
| 5 | 52 | 43 | 36 | 32 | 44 | 37 | 32 | 28 | 25 | 22 | 19 | 15 | 13 | 12 | 4 | 4 | 4 | 0 | 0 | 0 | 0 | 0 | 0 | 0 | 0 | 0 | 0 | 0 | 0 | 0 | 0 | 0 | 0 | 0 | 0 | 0 | 0 | 0 | 0 | 0 | 0 | 0 | 0 | | | | |
| 6 | 48 | 38 | 32 | 27 | 41 | 33 | 27 | 24 | 23 | 19 | 17 | 13 | 11 | 10 | 3 | 3 | 3 | 0 | 0 | 0 | 0 | 0 | 0 | 0 | 0 | 0 | 0 | 0 | 0 | 0 | 0 | 0 | 0 | 0 | 0 | 0 | 0 | 0 | 0 | 0 | 0 | 0 | 0 | | | | |
| 7 | 44 | 34 | 28 | 23 | 37 | 29 | 24 | 20 | 20 | 17 | 14 | 12 | 10 | 9 | 3 | 3 | 3 | 0 | 0 | 0 | 0 | 0 | 0 | 0 | 0 | 0 | 0 | 0 | 0 | 0 | 0 | 0 | 0 | 0 | 0 | 0 | 0 | 0 | 0 | 0 | 0 | 0 | 0 | 0 | | | |
| 8 | 41 | 31 | 24 | 20 | 34 | 26 | 21 | 18 | 18 | 15 | 12 | 11 | 9 | 7 | 2 | 2 | 2 | 0 | 0 | 0 | 0 | 0 | 0 | 0 | 0 | 0 | 0 | 0 | 0 | 0 | 0 | 0 | 0 | 0 | 0 | 0 | 0 | 0 | 0 | 0 | 0 | 0 | 0 | 0 | 0 | | |
| 9 | 37 | 28 | 22 | 18 | 32 | 24 | 19 | 15 | 17 | 13 | 11 | 10 | 8 | 7 | 2 | 2 | 2 | 0 | 0 | 0 | 0 | 0 | 0 | 0 | 0 | 0 | 0 | 0 | 0 | 0 | 0 | 0 | 0 | 0 | 0 | 0 | 0 | 0 | 0 | 0 | 0 | 0 | 0 | 0 | 0 | 0 | |
| 10 | 35 | 25 | 19 | 16 | 30 | 22 | 17 | 14 | 15 | 12 | 10 | 9 | 7 | 6 | 2 | 2 | 2 | 0 | 0 | 0 | 0 | 0 | 0 | 0 | 0 | 0 | 0 | 0 | 0 | 0 | 0 | 0 | 0 | 0 | 0 | 0 | 0 | 0 | 0 | 0 | 0 | 0 | 0 | 0 | 0 | 0 | 0 |

Total Luminaire Optical Efficiency = 87.0%



CANDELA DISTRIBUTION

| Vert. Angle | 0 | 22.5 | 45 | 67.5 | 90 |
|-------------|------|------|------|------|------|
| 90 | 55 | 39 | 41 | 39 | 31 |
| 95 | 372 | 333 | 334 | 337 | 331 |
| 100 | 536 | 602 | 652 | 697 | 695 |
| 105 | 666 | 857 | 883 | 956 | 960 |
| 110 | 737 | 1078 | 1139 | 1151 | 1187 |
| 115 | 838 | 1297 | 1379 | 1399 | 1418 |
| 120 | 977 | 1545 | 1618 | 1709 | 1722 |
| 125 | 1045 | 1613 | 1847 | 1877 | 1885 |
| 130 | 1209 | 1742 | 1997 | 2062 | 2046 |
| 135 | 1261 | 1766 | 2226 | 2310 | 2276 |
| 140 | 1334 | 1807 | 2316 | 2363 | 2546 |
| 145 | 1400 | 1808 | 2353 | 2496 | 2485 |
| 150 | 1518 | 1812 | 2218 | 2581 | 2619 |
| 155 | 1592 | 1795 | 2120 | 2490 | 2599 |
| 160 | 1640 | 1816 | 2099 | 2159 | 2271 |
| 165 | 1595 | 1736 | 1962 | 2048 | 2150 |
| 170 | 1610 | 1747 | 1759 | 1906 | 2026 |
| 175 | 1763 | 1725 | 1628 | 1798 | 1630 |
| 180 | 1753 | 1753 | 1753 | 1753 | 1753 |



Lamp (2) 54w T5HO

Lumens: 5000 Per Lamp

Optical Distribution:
100% Indirect

Day-O-Lite reserves the right to change product specifications without notice for product improvement.