

Features

SKL is one of the newer products for recessed applications. The SKL has a 2" regress into the ceiling and its modern look is ideal for office, industrial and healthcare applications. SKL provides high performance lighting while also providing high efficiency. SKL is available in 1' x 4', 2' x 2', 2' x 4' and 4' x 4'.

Specifications

HOUSING: Die formed 20-gauge cold rolled steel housing. Housing has an access plate on top with two 7/8" diameter knockouts.

SHIELDING: Standard lens is a white opal acrylic, providing high transmission while obscuring lamp image. Optional Prismatic and P95-satin acrylic are also available. Diffusers are lift and shift style for easy lamp access.

REFLECTOR: Die formed 20-gauge cold rolled steel, minimum 90% reflectivity finished in low glare baked white enamel.

ELECTRICAL: Ballast is electronic, universal voltage 120/277, high power factor, thermally protected, sound rated A with less than 10% total harmonic distortion. The minimum number of ballasts will be used unless otherwise specified.

BALLAST DISCONNECT: Luminaires are pre-wired with integrated locking disconnects.

MOUNTING: Standard installation is in an exposed inverted T-bar ceiling. Fixtures are supplied with four support brackets for additional support to T-bar. See Mounting Options pages for additional mounting.

FINISH: Fixture housing and steel components are finished in baked white enamel applied over a five-stage pretreatment process.

LAMPS: Fixtures are provided for use with T5, T5HO or T8 lamps. (Supplied by Others)

CERTIFICATION: Luminaires are U.L. Listed, C.S.A. certified and are Union Made in the United States of America. I.B.E.W.

TYPE

Ordering Guide

MODEL NO.	SHIELDING	NUMBER OF LAMPS	LAMPS	SIZE	MOUNTING	FINISH	VOLTAGE	OPTIONS
SKL								
SKL	PRS = Prismatic Acrylic WOA = White Opal Acrylic P95 = Satin Acrylic	1 2 3 4	T8 T5 T5HO	14 = 1 x 4 22 = 2 x 2 24 = 2 x 4 44 = 4 x 4	G = Grid F = Flange	W = White CC = Custom Color	UNV = 120/277	DIM = Dimming Ballast EPC = Emergency Battery Pack EMC = Emergency Circuit TCW = Two Circuit Wiring FWH = Flexible Wiring Harness OTH = Other options available, see page 355

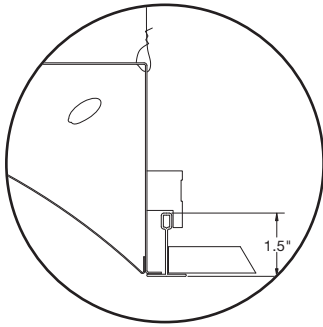
Example » SKL | WOA | 3T8 | 22 | G | W | UNV

SKL with white opal acrylic lens, three 17 watt T8 lamps, 2 x 2 fixture grid mounted, finished in baked white enamel, universal voltage electronic ballast less than 10% total harmonic distortion.



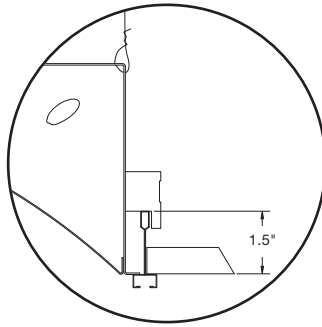
Linear Sections and Suspension Location

MOUNTING "G"



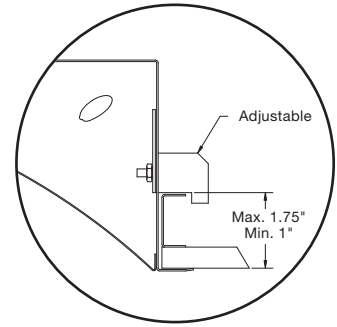
Std. 1 1/2" Inverted "T" Bar

MOUNTING "MG"



1 1/2" Miniature Grid Ceiling

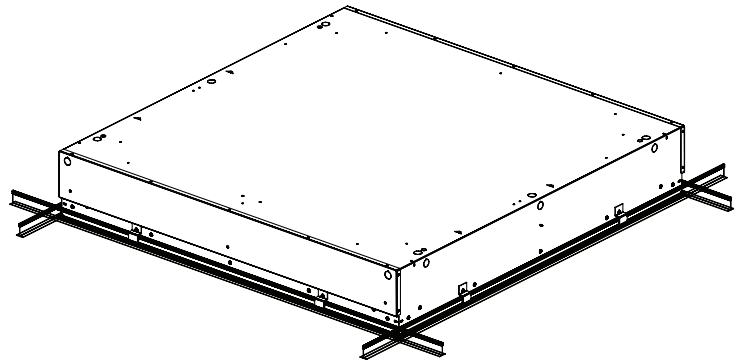
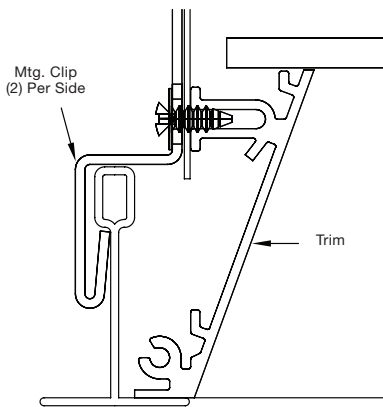
MOUNTING "F"



Plaster Or Dry Wall Ceiling
(Optional)

Installation Preparation

TRIM DETAIL



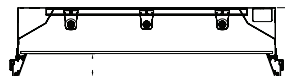
Photometry

COEFFICIENTS OF UTILIZATION-ZONAL CAVITY METHOD

pfc = 0.20

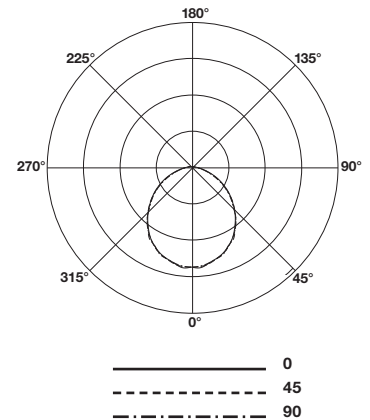
pcc	.8				.7				.5				.3				.1				0
pw	.7	.5	.3	.1	.7	.5	.3	.1	.5	.3	.1	.5	.3	.1	.5	.3	.1	.5	.3	.1	0
RCR																					
0	81	81	81	81	79	79	79	79	75	75	75	72	72	72	69	69	69	68	68	68	68
1	75	72	69	67	73	70	68	66	67	65	63	65	63	62	62	61	60	58	58	58	58
2	68	63	59	55	66	62	58	54	59	56	53	57	54	52	55	53	51	49	49	49	49
3	62	56	50	46	61	55	50	46	53	48	45	51	47	44	49	46	43	42	42	42	42
4	57	49	44	39	56	49	43	39	47	42	39	45	41	38	44	40	38	36	36	36	36
5	53	44	38	34	51	44	38	34	42	37	34	41	37	33	40	36	33	31	31	31	31
6	49	40	34	30	47	39	34	30	38	33	29	37	33	29	36	32	29	28	28	28	28
7	45	36	31	26	44	36	30	26	35	30	26	34	29	26	33	29	26	24	24	24	24
8	42	33	28	24	41	33	27	24	32	27	23	31	27	23	30	26	23	22	22	22	22
9	39	30	25	21	38	30	25	21	29	24	21	29	24	21	28	24	21	20	20	20	20
10	37	28	23	19	36	28	23	19	27	22	19	26	22	19	26	22	19	18	18	18	

Total Luminaire Optical Efficiency = 68.3%



CANDELA DISTRIBUTION

Vert. Angle	0	22.5	45	67.5	90
0	2403	2403	2403	2403	2403
5	2425	2392	2397	2402	2384
10	2341	2341	2355	2343	2337
15	2272	2279	2277	2300	2277
20	2191	2189	2201	2200	2215
25	2079	2072	2088	2082	2070
30	1947	1946	1951	1957	1988
35	1779	1777	1805	1792	1792
40	1609	1622	1628	1624	1628
45	1428	1434	1435	1426	1403
50	1240	1245	1249	1232	1218
55	1061	1055	1042	1020	1027
60	864	862	846	830	821
65	672	664	641	620	616
70	470	466	438	426	414
75	287	276	259	237	236
80	133	128	112	100	96.7
85	30.1	29.1	24.6	22.6	20.3
90	1.38	1.24	1.24	1.52	1.08



Lamp (3) 32w T8

Lumens: 2900 Per Lamp

Optical Distribution:
100% Direct

Day-O-Lite reserves the right to change product specifications without notice for product improvement.