

Features

NAS-2045 is one of the newest products within the New Age series. NAS-2045's contemporary style and modern Zero Plenum Design is the ideal luminaire for office and healthcare applications. NAS-2045 provides high performance lighting while also providing high efficiency. NAS-2045 is available in 2' x 2', 2' x 4' and 1' x 4'.

Specifications

HOUSING: Die formed 20-gauge cold rolled steel housing. Housing has an access plate on top with two 7/8" diameter knockouts.

SHIELDING: Diffusers are clear linear ribbed acrylic lens providing high transmission while obscuring lamp image.

REFLECTOR: Die formed .020 aluminum, minimum 90% reflectivity finished in low glare matte baked white enamel.

ELECTRICAL: Ballast is electronic, low-profile, universal voltage 120/277, high power factor, thermally protected, sound rated A with less than 10% total harmonic distortion. The minimum number of ballasts will be used unless otherwise specified. Please consult factory for lamp/ballast availability.

BALLAST DISCONNECT: Luminaires are pre-wired with integrated locking disconnects.

MOUNTING: Standard installation is in an exposed inverted T-bar ceiling. Fixtures are supplied with four support brackets for additional support to T-bar. See Mounting Options pages for additional mounting.

FINISH: Fixture housing and steel components are finished in baked white enamel applied over a five-stage pretreatment process.

LAMPS: Fixtures are provided for use with T5 or T5HO lamps. (Supplied by Others)

CERTIFICATION: Luminaires are U.L. Listed, C.S.A. certified and are Union Made in the United States of America. I.B.E.W.

TYPE

Ordering Guide

MODEL NO.	NUMBER OF LAMPS	LAMPS	SIZE	MOUNTING	FINISH	VOLTAGE	OPTIONS
NAS-2045							
NAS-2045	2	T5 T5HO	22 = 2 x 2 24 = 2 x 4 14 = 1 x 4	G = Standard Lay-in Grid MG = Miniature Grid F = Flanged	W = White CC = Custom Color	UNV = 120/277	DIM = Dimming Ballast EPC = Emergency Battery Pack EMC = Emergency Circuit TCW = Two Circuit Wiring FWH = Flexible Wiring Harness OTH = Other options available, see page 355

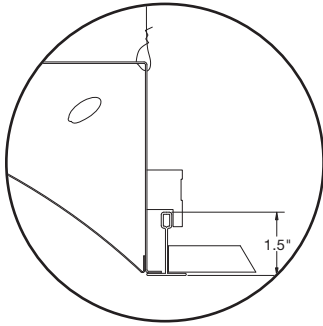
Example » **NAS-2045** | **2T5HO** | **22** | **G** | **W** | **UNV**

New Age Series with acrylic ribbed lens, two 24 watt T5HO lamps, 2 x 2 fixture grid mounted, finished in baked white enamel, universal voltage electronic ballast less than 10% total harmonic distortion.



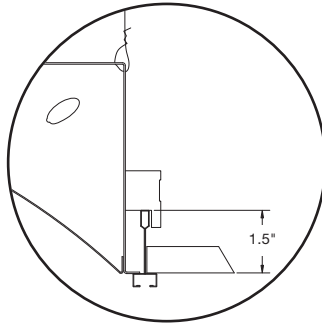
Linear Sections and Suspension Location

MOUNTING "G"



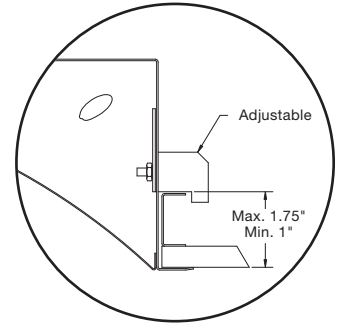
Std. 1 1/2" Inverted "T" Bar

MOUNTING "MG"



1 1/2" Miniature Grid Ceiling

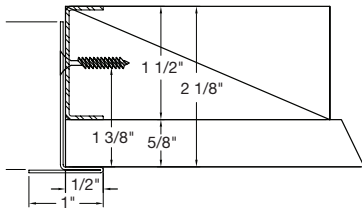
MOUNTING "F"



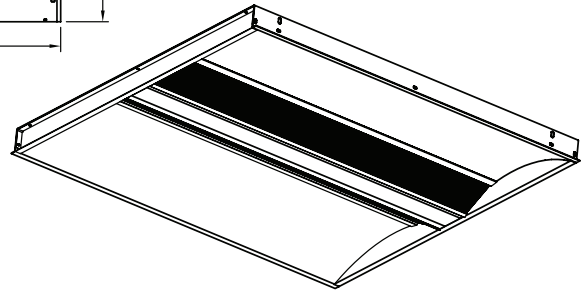
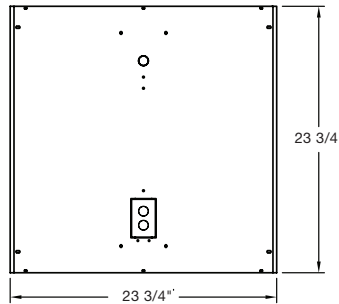
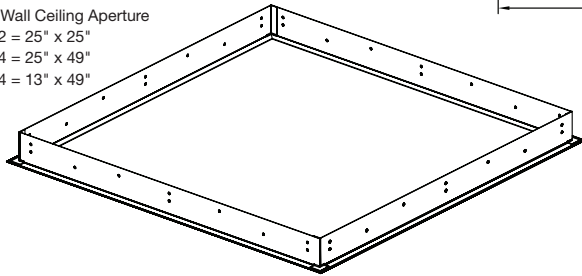
Plaster Or Dry Wall Ceiling
(Optional)

Installation Preparation

Plaster Frame Detail (All 4 Sides)



Plaster Frame Kit
Dry Wall Ceiling Aperture
2 x 2 = 25" x 25"
2 x 4 = 25" x 49"
1 x 4 = 13" x 49"



Photometry

COEFFICIENTS OF UTILIZATION-ZONAL CAVITY METHOD

pfc = 0.20

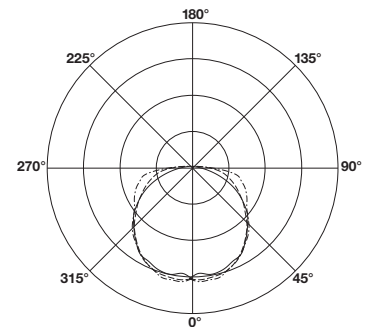
pcc	.8				.7				.5				.3				.1				0														
pw	.7	.5	.3	.1	.7	.5	.3	.1	.5	.3	.1	.5	.3	.1	.5	.3	.1	.5	.3	.1	.5	.3	.1	.5	.3	.1	.5	.3	.1	.5	.3	.1	.5	.3	.1
RCR																																			
0	89	89	89	89	87	87	87	87	83	83	83	79	79	79	76	76	76	75	75	75	75	75	75	75	75	75	75	75	75	75	75	75	75	75	75
1	81	78	75	72	79	76	73	71	73	71	69	70	68	67	64	64	64	63	63	63	63	63	63	63	63	63	63	63	63	63	63	63	63	63	63
2	74	68	63	59	72	67	62	58	64	60	57	62	59	56	53	53	53	53	53	53	53	53	53	53	53	53	53	53	53	53	53	53	53	53	53
3	68	60	54	50	66	59	54	49	57	52	48	55	51	47	45	45	45	45	45	45	45	45	45	45	45	45	45	45	45	45	45	45	45	45	45
4	62	54	47	42	61	53	47	42	51	46	41	49	44	41	39	39	39	39	39	39	39	39	39	39	39	39	39	39	39	39	39	39	39	39	39
5	57	48	41	37	56	47	41	36	46	40	36	44	39	36	34	34	34	34	34	34	34	34	34	34	34	34	34	34	34	34	34	34	34	34	34
6	53	43	37	32	52	43	37	32	41	36	32	40	35	31	30	30	30	30	30	30	30	30	30	30	30	30	30	30	30	30	30	30	30	30	30
7	49	39	33	29	48	39	33	28	38	32	28	37	32	28	26	26	26	26	26	26	26	26	26	26	26	26	26	26	26	26	26	26	26	26	26
8	46	36	30	26	45	36	30	26	35	29	25	34	29	25	24	24	24	24	24	24	24	24	24	24	24	24	24	24	24	24	24	24	24	24	24
9	43	33	27	23	42	33	27	23	32	27	23	31	26	23	21	21	21	21	21	21	21	21	21	21	21	21	21	21	21	21	21	21	21	21	21
10	40	31	25	21	40	30	25	21	30	25	21	29	24	21	20	20	20	20	20	20	20	20	20	20	20	20	20	20	20	20	20	20	20	20	20

Total Luminaire Optical
Efficiency = 74.5%



CANDELA DISTRIBUTION

Vert. Angle	0	22.5	45	67.5	90
0	1347	1347	1347	1347	1347
5	1315	1303	1297	1281	1283
10	1301	1271	1235	1226	1203
15	1222	1202	1163	1127	1098
20	1132	1106	1060	1031	1011
25	1020	1001	969	963	947
30	880	884	906	908	899
35	725	778	830	860	858
40	578	658	768	830	845
45	446	546	700	803	831
50	320	434	632	767	826
55	222	322	552	723	783
60	151	232	443	650	729
65	96.1	156	329	538	629
70	57.2	98.7	230	399	484
75	32.2	61.0	152	279	342
80	15.6	35.6	94.5	180	223
85	6.49	16.6	42.7	71.7	82.9
90	1.85	3.60	7.71	11.0	11.4



Lamp (2) 24w T5HO

Lumens: 2000 Per Lamp

Optical Distribution:
100% Direct

Day-O-Lite reserves the right to change product specifications without notice for product improvement.