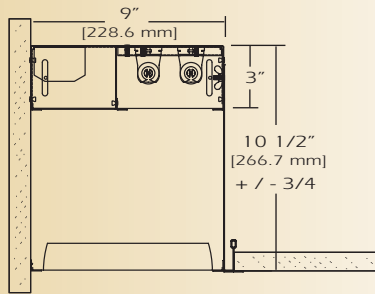


# Perimeter

W P P



**TYPE** \_\_\_\_\_

**FEATURES**

The WPP Series is a refined approach to illumination, the wall parallel series gives a soft perimeter of light while creating the illusion of a 'floating' ceiling. Using one of four shielding positions, a variety of effects can be created for each application, from a fully exposed reveal to a luminescent flush white opal sheet that visually unites the ceiling and wall.

**SPECIFICATIONS**

**Housing:** Fully assembled one-piece die formed 20-gauge cold rolled steel construction. Standard lengths are up to 8 feet. Key slot mounting holes are provided at wall side. Power feed 7/8" knockouts are supplied on top of fixture, wall side and at each end for ease of installation. The adjustable front shield is die formed 20-gauge cold rolled steel and allows for vertical adjustment. Finished end closures are provided at end of rows.

**Reflector:** Die formed 20-gauge cold rolled steel minimum 90% reflectivity finished in high gloss baked white enamel.

**Shielding:** Four standard shieldings are used in the WPP Series. Parabolic diffuser is semi-specular low iridescence aluminum 1" x 2" O.C. with 24 cells per 4' section. Available on B and D profiles. Steel cross baffle, prismatic acrylic and white opal lens are available on B, C and D profiles.

**Electrical:** Ballast is electronic, high power factor, thermally protected class P, sound rated A, less than 20% total harmonic distortion. The minimum number of ballasts will be used unless otherwise specified.

**Mounting:** Recess mounting for grid ceilings or flange ceilings.

**Finish:** Fixture housing and steel components are finished in bake white enamel applied over a five-stage pretreatment process.

**Lamps:** Fixtures are provided for use with one or two T8 lamps. (Supplied by Others)

**Certification:** Luminaires are U.L. Listed, C.S.A. certified and are Union Made in the United States of America I.B.E.W.

**ORDERING GUIDE**

MODEL NO.	PROFILE	SHIELDING	NO. OF LAMPS	LAMPS	MOUNTING	LENGTH	FINISH	VOLTAGE	OPTIONS
<b>WPP</b>	<input type="checkbox"/>	<input type="checkbox"/>	<input type="checkbox"/>	<input type="checkbox"/>	<input type="checkbox"/>	<input type="checkbox"/>	<input type="checkbox"/>	<input type="checkbox"/>	<input type="checkbox"/>
<b>WPP</b>	<b>A=OPEN</b> <b>B=CEILING FLUSH</b> <b>C=HIGH REGRESS</b> <b>D=LOW REGRESS</b>	<b>PBL=Parabolic Louver</b> <b>SCB=Steel Cross Baffle</b> <b>PRS=Prismatic Acrylic</b> <b>WOA=White Opal Acrylic</b>	<b>1</b> <b>2</b>	<b>32T8</b> <b>25T8</b> <b>17T8</b>	<b>G= Grid</b> <b>F= Flange</b>	<b>2= ft</b> <b>3= ft</b> <b>4= ft</b> <b>5= ft</b> <b>6= ft</b> <b>8= ft</b>	<b>W= White</b> <b>CC= Custom Color</b>	<b>120v</b> <b>277v</b>	<b>See Options Below</b>

See Accessories for other, please enter row length (eg. 48=48ft)

Example: **WPP-B-PBL-2-32T8-G-4-W-120V**

WPP B with parabolic louver flush mounted for two 32 watt T8 lamps grid ceiling application 4 feet finished in baked white enamel 120 volt electronic ballast less than 20% total harmonic distortion.

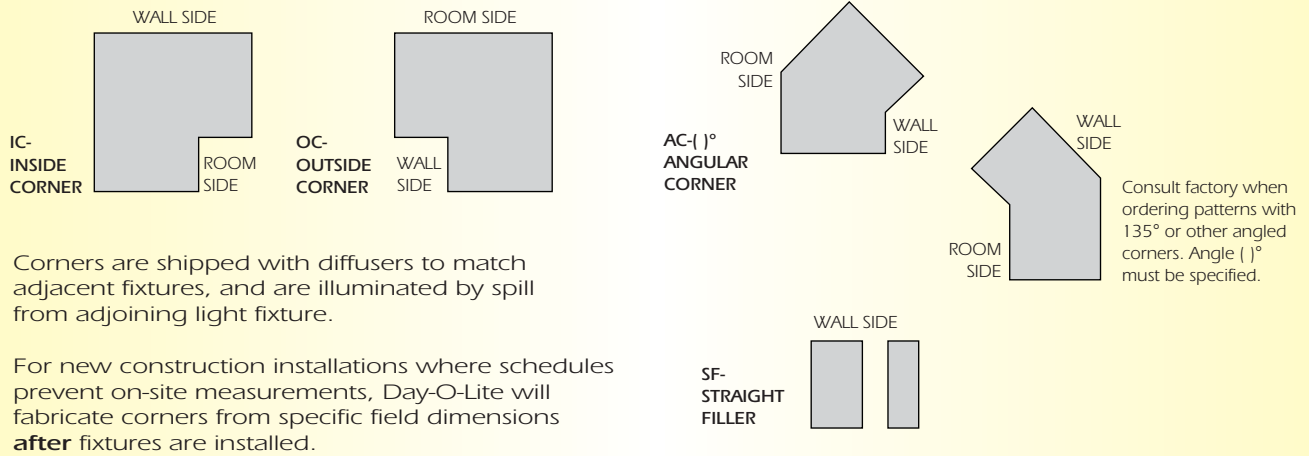
**OPTIONS**

- E10=** Electronic ballast, high power factor, thermally protected class P, sound rated A, < 10% total harmonic distortion.
- DIM=** Dimming Ballast
- EPC=** Emergency Battery Pack
- EMC=** Emergency Circuit
- TCW=** Two Circuit Wiring
- TDW=** Tandem Wiring
- OTH=** See Accessories for other options available.

# Perimeter

W P P

LINEAR SECTIONS AND SUSPENSION LOCATION



IC-INSIDE CORNER

OC-OUTSIDE CORNER

AC-( )° ANGULAR CORNER

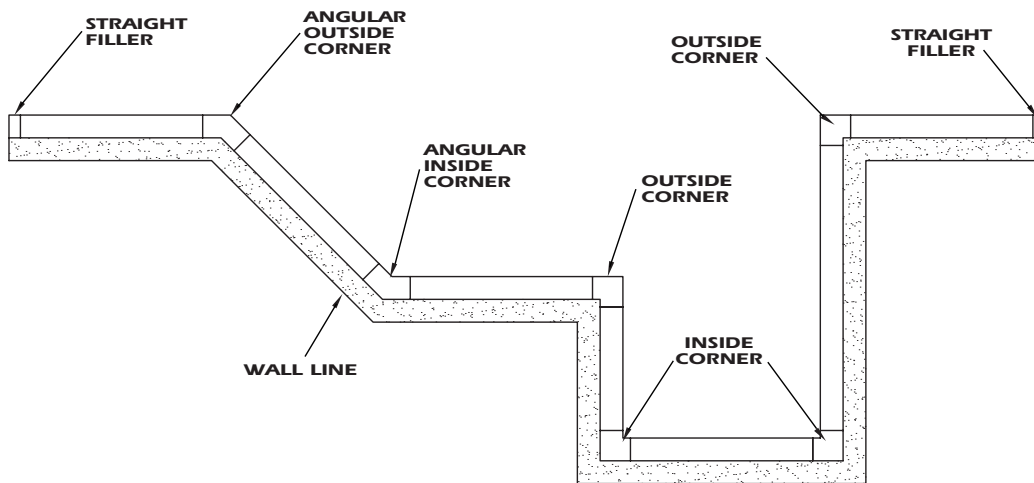
SF-STRAIGHT FILLER

Consult factory when ordering patterns with 135° or other angled corners. Angle ( )° must be specified.

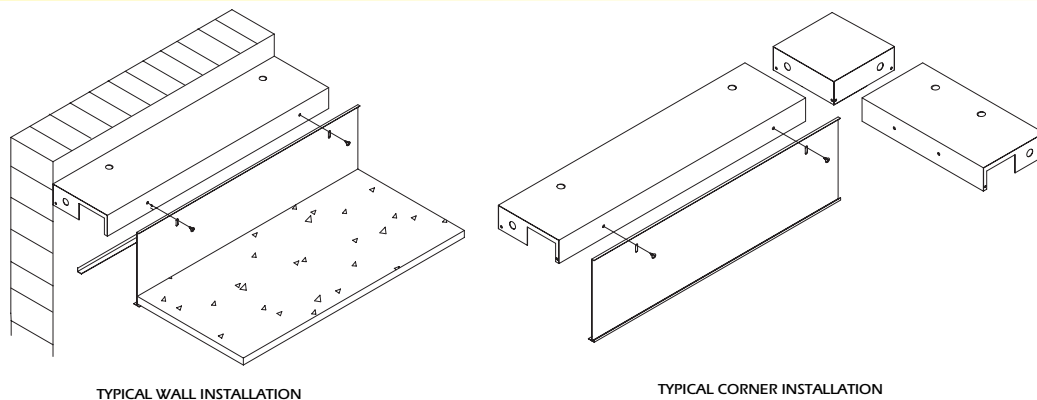
Corners are shipped with diffusers to match adjacent fixtures, and are illuminated by spill from adjoining light fixture.

For new construction installations where schedules prevent on-site measurements, Day-O-Lite will fabricate corners from specific field dimensions **after** fixtures are installed.

TYPICAL PATTERN



INSTALLATION PREPARATION



- FOR STRAIGHT RUNS
1. Field measure length of wall for each linear run.
  2. Select the number of lamps, diffuser position and options and note ceiling type.
  3. Order using Ordering Guide information.

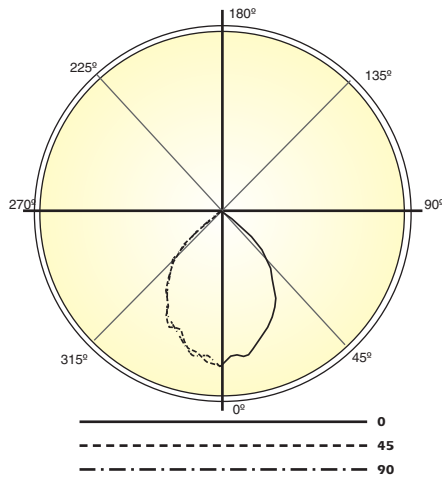
- FOR PATTERN RUNS
1. Prepare "birds eye view" layout of pattern required.
  2. Mark field measurements of total length of wall. Mark locations of Inside, Outside and Angular corners.
  3. Select the number of lamps, diffuser position and options and note ceiling type. Order using Ordering Guide information.



# Perimeter

# W P P

PHOTOMETRY



LAMP (2) 32W T8  
LUMENS: 2900 PER LAMP  
PARABOLIC LOUVER

### Candela Distribution:

Vert. Angle	0	22.5	45	67.5	90
0	1269	1269	1269	1269	1269
5	1242	1324	1439	1391	1179
10	1136	1369	1437	1402	1147
15	977	1300	1484	1338	1058
20	907	1281	1454	1297	930
25	758	1106	1371	1211	798
30	605	979	1243	1028	648
35	448	776	937	809	489
40	310	560	627	588	340
45	165	331	445	365	209
50	64.7	178	315	184	46.9
55	21.4	72.2	210	73.7	5.81
60	0.69	23.2	126	22.5	0.13
65	0.00	8.19	74.3	4.84	0.00
70	0.00	1.07	36.5	0.73	0.00
75	0.12	0.15	6.97	0.30	0.00
80	0.00	0.31	0.10	0.00	0.00
85	0.00	0.12	0.08	0.15	0.00
90	0.00	0.00	0.00	0.00	0.00

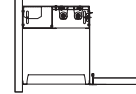
Optical Distribution:  
Direct

### Coefficients of Utilization - Zonal Cavity Method:

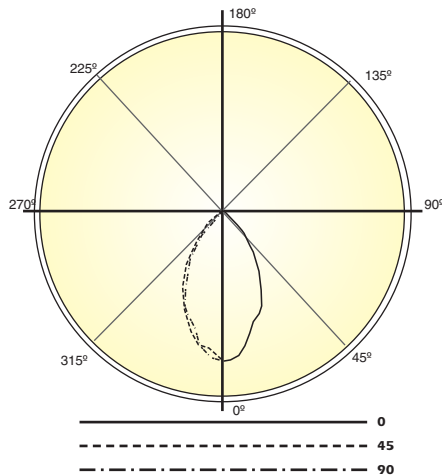
pfc = 0.20

	.8	.7	.5	.3	.1	0
pcc	.8	.7	.5	.3	.1	0
pw	.7 .5 .3 .1	.7 .5 .3 .1	.5 .3 .1	.5 .3 .1	.5 .3 .1	0
RCR						
0	28 28 28 28	27 27 27 27	26 26 26	25 25 25	24 24 24	24
1	27 26 25 25	26 25 25 24	24 24 24	24 23 23	23 22 22	22
2	25 24 23 22	25 23 22 22	23 22 21	22 21 21	21 21 20	20
3	24 22 21 19	23 22 20 19	21 20 19	20 19 19	20 19 18	18
4	22 20 19 17	22 20 18 17	19 18 17	19 18 17	18 17 17	16
5	21 19 17 16	20 18 17 16	18 17 16	17 16 15	17 16 15	15
6	20 17 16 14	19 17 15 14	17 15 14	16 15 14	16 15 14	14
7	18 16 14 13	18 16 14 13	15 14 13	15 14 13	15 14 13	13
8	17 15 13 12	17 15 13 12	14 13 12	14 13 12	14 13 12	12
9	16 14 12 11	16 14 12 11	14 12 11	13 12 11	13 12 11	11
10	16 13 11 10	15 13 11 10	13 11 10	12 11 10	12 11 10	10

WPP - B



PHOTOMETRY



LAMP (2) 32W T8  
LUMENS: 2900 PER LAMP  
STELL CROSS BAFFLE

### Candela Distribution:

Vert. Angle	0	22.5	45	67.5	90
0	1417	1417	1417	1417	1417
5	1297	1436	1561	1499	1324
10	1262	1464	1536	1346	1135
15	1118	1314	1502	1283	1021
20	1008	1299	1433	1207	908
25	877	1186	1324	1022	729
30	733	1035	1179	882	553
35	566	861	971	689	418
40	429	681	601	523	270
45	333	453	332	309	148
50	265	291	234	184	117
55	207	201	169	136	98.2
60	149	142	117	113	89.0
65	95.9	90.9	89.6	99.5	76.3
70	68.2	67.3	64.1	64.9	57.1
75	40.4	43.8	45.2	40.6	41.8
80	20.5	23.0	26.8	25.4	27.0
85	6.45	9.53	11.5	11.8	9.15
90	0.00	0.22	0.00	0.17	0.06

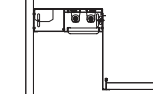
Optical Distribution:  
Direct

### Coefficients of Utilization - Zonal Cavity Method:

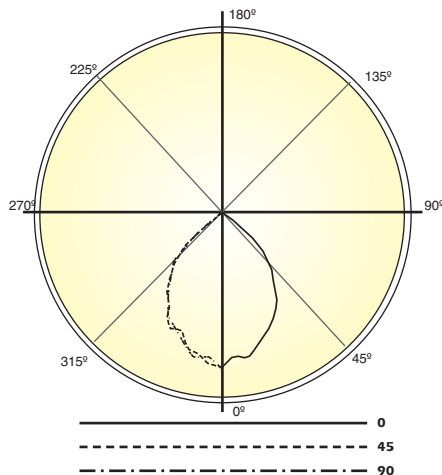
pfc = 0.20

	.8	.7	.5	.3	.1	0
pcc	.8	.7	.5	.3	.1	0
pw	.7 .5 .3 .1	.7 .5 .3 .1	.5 .3 .1	.5 .3 .1	.5 .3 .1	0
RCR						
0	30 30 30 30	29 29 29 29	28 28 28	27 27 27	25 25 25	25
1	28 27 26 26	27 26 26 25	25 25 24	24 24 24	24 23 23	22
2	26 24 23 22	25 24 23 22	23 22 21	22 22 21	22 21 20	20
3	24 22 21 19	24 22 20 19	21 20 19	21 20 19	20 19 18	18
4	23 20 19 17	22 20 18 17	20 18 17	19 18 17	18 17 17	16
5	21 19 17 16	21 18 17 16	18 17 15	18 16 15	17 16 15	15
6	20 17 15 14	20 17 15 14	17 15 14	16 15 14	16 15 14	13
7	19 16 14 13	18 16 14 13	16 14 13	15 14 13	15 14 13	12
8	18 15 13 12	17 15 13 12	14 13 12	14 13 12	14 13 12	11
9	17 14 12 11	16 14 12 11	14 12 11	13 12 11	13 12 11	10
10	16 13 11 10	16 13 11 10	13 11 10	13 11 10	12 11 10	10

WPP - C



PHOTOMETRY



LAMP (2) 32W T8  
LUMENS: 2900 PER LAMP  
PARABOLIC LOUVER

### Candela Distribution:

Vert. Angle	0	22.5	45	67.5	90
0	1609	1609	1609	1609	1609
5	1499	1712	1767	1686	1574
10	1526	1721	1775	1721	1488
15	1426	1769	1834	1701	1427
20	1329	1733	1831	1749	1290
25	1252	1615	1692	1649	1307
30	1125	1511	1555	1504	1101
35	966	1295	1223	1306	1006
40	815	1034	859	1037	816
45	666	751	560	760	665
50	351	476	417	453	363
55	75.5	227	287	225	71.0
60	7.24	82.9	174	84.0	7.62
65	4.46	26.4	97.9	26.1	5.11
70	5.91	9.35	40.2	9.38	4.43
75	4.69	6.00	12.9	8.32	4.23
80	4.70	5.45	6.98	5.35	5.36
85	3.47	3.62	3.47	3.40	2.71
90	0.05	0.07	0.07	0.00	0.00

Optical Distribution:  
Direct

### Coefficients of Utilization - Zonal Cavity Method:

pfc = 0.20

	.8	.7	.5	.3	.1	0
pcc	.8	.7	.5	.3	.1	0
pw	.7 .5 .3 .1	.7 .5 .3 .1	.5 .3 .1	.5 .3 .1	.5 .3 .1	0
RCR						
0	46 46 46 46	45 45 45 45	43 43 43	41 41 41	40 40 40	39
1	44 42 41 40	43 41 40 39	40 39 38	38 38 37	37 36 36	35
2	41 38 37 35	40 38 36 35	36 35 34	35 34 33	34 33 32	32
3	38 35 33 31	37 35 32 31	33 32 30	32 31 30	32 30 29	28
4	36 32 29 27	35 32 29 27	31 29 27	30 28 27	29 28 26	26
5	33 29 27 25	33 29 26 24	28 26 24	28 26 24	27 25 24	23
6	31 27 24 22	31 27 24 22	26 24 22	25 23 22	25 23 22	21
7	29 25 22 20	29 25 22 20	24 22 20	24 21 20	23 21 20	19
8	27 23 20 18	27 23 20 18	22 20 18	22 20 18	21 20 18	17
9	26 21 19 17	25 21 19 17	21 18 17	20 18 17	20 18 17	16
10	24 20 17 15	24 20 17 15	19 17 15	19 17 15	19 17 15	15

WPP - D

