

Other shielding perforation options available, see page 360

## Features

The G4-I presents a unique shallow winged profile and is one variation of a complete family of suspended linear fluorescent luminaires. The G4-I is an indirect version of the family of luminaires and provides exceptional performance. Constructed of steel and aluminum extrusions, it features a “reveal” between modules in continuous rows. The computer designed optical system creates widespread indirect distribution.

## Specifications

**HOUSING:** One piece die formed 20 gauge cold rolled steel welded construction forming a 2 5/8" x 11" wave profile. Solid no pattern. The housing ends are die formed extruded aluminum. The decorative intermediate end caps are provided for mounting and joining individual fixtures in rows. Finished ends are laser cut aluminum, with no exposed hardware or knockouts.

**REFLECTOR:** Die formed 20-gauge cold rolled steel minimum 90% reflectivity in high gloss white enamel with die formed center reflector.

**ELECTRICAL:** Ballast is electronic, low-profile, universal voltage 120/277, high power factor, thermally protected, sound rated A with less than 10% total harmonic distortion. Luminaires in rows are pre-wired with quick connect through wiring. The minimum number of ballasts will be used unless otherwise specified. Please consult factory for lamp/ballast availability.

**BALLAST DISCONNECT:** Luminaires are pre-wired with integrated locking disconnects.

**MOUNTING:** Standard Installation is an adjustable self-locking aircraft cable assembly 48" x 3/32" in diameter with 5" canopy. One 16/4 SJT straight 54" cord is supplied with each power feed. Standard pendants are available in 24" lengths. See Mounting Options pages for additional mounting.

**FINISH:** Fixture housing and steel components are finished in baked white enamel applied over a five-stage pretreatment process.

**LAMPS:** Fixtures are provided for use with two T8 lamps. (Supplied by Others)

**CERTIFICATION:** Luminaires are U. L. Listed, C.S.A. certified and are Union Made in the United States of America I.B.E.W.

TYPE

## Ordering Guide

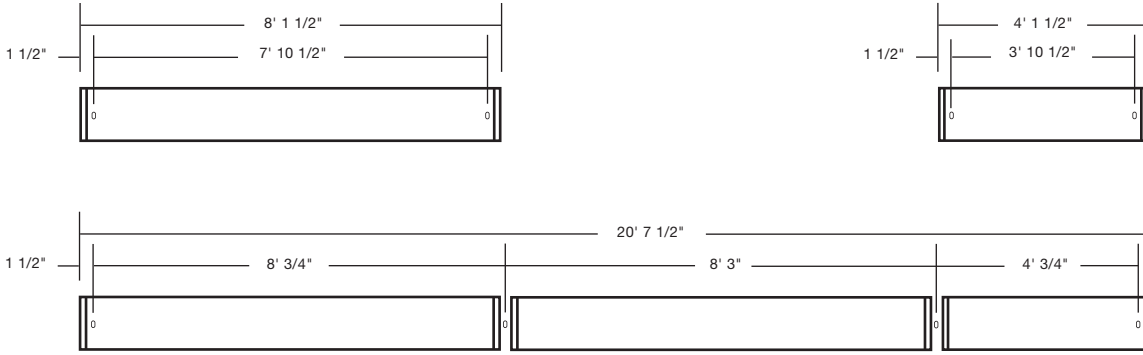
MODEL NO.	DIRECTION	SHIELDING	NUMBER OF LAMPS	LAMPS	MOUNTING	ROW LENGTH	FINISH	VOLTAGE	OPTIONS
<b>G4</b>	<b>I</b>	<b>1</b>							
G4	I = Indirect	1 = Solid (shown)	2	T8	AC = Cable PD = Pendant Other mounting options available, see pgs. 357-359	4 = 4 ft 8 = 8 ft For other, please enter row length (eg. 48 = 48 ft)	W = White CC = Custom Color	UNV = 120/277	DIM = Dimming Ballast EPC = Emergency Battery Pack EMC = Emergency Circuit TCW = Two Circuit Wiring OTH = Other options available, see page 355

**Example »** G4 | I | 1 | 2T8 | AC | 4 | W | UNV

Generation Four profile for two 32 watt T8 lamps with two 48 inch aircraft cables and power feed four foot fixture finished in baked white enamel with universal voltage electronic ballast less than 10% total harmonic distortion.

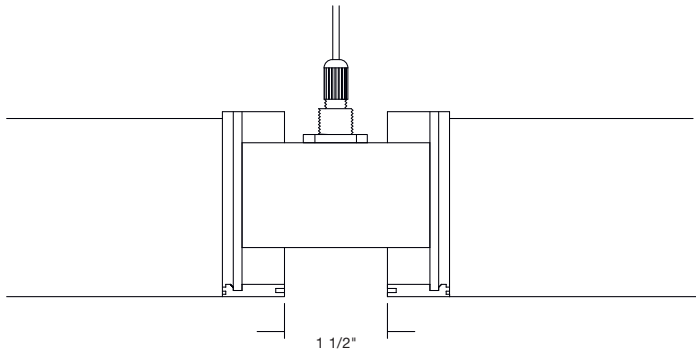


## Linear Sections and Suspension Location

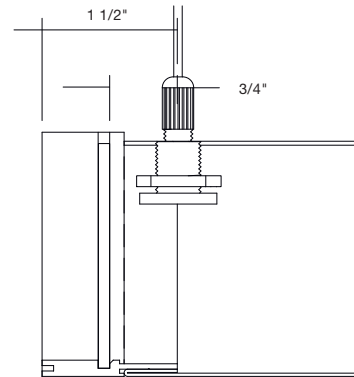


## Installation Preparation

TYPICAL JOINT DETAIL



TYPICAL END DETAIL



## Photometry

### COEFFICIENTS OF UTILIZATION-ZONAL CAVITY METHOD

pfc = 0.20

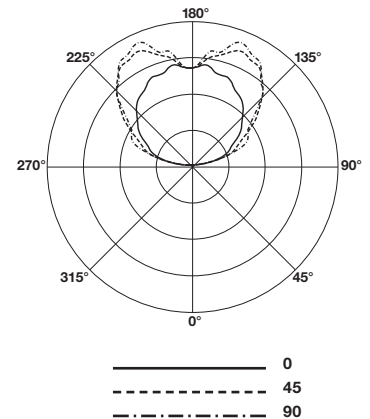
pcc	.8				.7				.5				.3				.1				0
pw	.7	.5	.3	.1	.7	.5	.3	.1	.5	.3	.1	.5	.3	.1	.5	.3	.1	.5	.3	.1	0
<b>RCR</b>																					
<b>0</b>	79	79	79	79	67	67	67	67	46	46	46	26	26	26	8	8	8	8	8	8	0
<b>1</b>	72	68	65	63	61	59	56	54	40	39	37	23	22	22	7	7	7	7	7	7	0
<b>2</b>	65	60	55	51	56	51	47	44	35	33	31	20	19	18	6	6	6	6	6	6	0
<b>3</b>	59	52	47	42	51	45	40	37	31	28	26	18	16	15	5	5	5	5	5	5	0
<b>4</b>	54	46	40	36	46	40	35	31	27	24	22	16	14	13	4	4	4	4	4	4	0
<b>5</b>	50	41	35	30	42	35	30	26	24	21	19	14	12	11	3	3	3	3	3	3	0
<b>6</b>	45	36	30	26	39	31	26	22	22	18	16	12	11	9	3	3	3	3	3	3	0
<b>7</b>	42	32	26	22	35	28	23	19	19	16	14	11	9	8	3	3	3	3	3	3	0
<b>8</b>	38	29	23	19	33	25	20	17	17	14	12	10	8	7	2	2	2	2	2	2	0
<b>9</b>	36	26	21	17	30	23	18	15	16	13	10	9	7	6	2	2	2	2	2	2	0
<b>10</b>	33	24	18	15	28	21	16	13	14	11	9	8	7	5	2	2	2	2	2	2	0

Total Luminaire Optical Efficiency = 82.7%



### CANDELA DISTRIBUTION

Vert. Angle	0	22.5	45	67.5	90
<b>90</b>	24.7	13.4	4.89	2.86	2.09
<b>95</b>	114	117	96.3	84.5	78.5
<b>100</b>	217	277	287	262	253
<b>105</b>	316	397	460	482	478
<b>110</b>	439	497	595	634	652
<b>115</b>	564	596	709	765	776
<b>120</b>	683	694	811	899	919
<b>125</b>	797	796	906	998	1018
<b>130</b>	888	892	971	1081	1108
<b>135</b>	991	993	1054	1121	1164
<b>140</b>	1098	1085	1133	1163	1187
<b>145</b>	1168	1178	1192	1230	1242
<b>150</b>	1254	1265	1270	1290	1284
<b>155</b>	1316	1328	1341	1345	1345
<b>160</b>	1399	1389	1406	1406	1401
<b>165</b>	1419	1449	1446	1422	1466
<b>170</b>	1496	1492	1480	1487	1482
<b>175</b>	1512	1492	1483	1515	1468
<b>180</b>	1492	1492	1492	1492	1492



Lamp (2) 32w T8

Lumens: 2900 Per Lamp

Optical Distribution:  
100% Indirect

Day-O-Lite reserves the right to change product specifications without notice for product improvement.