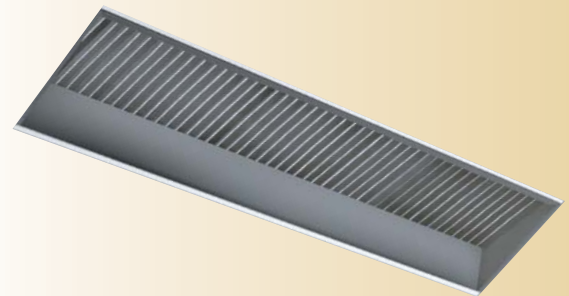
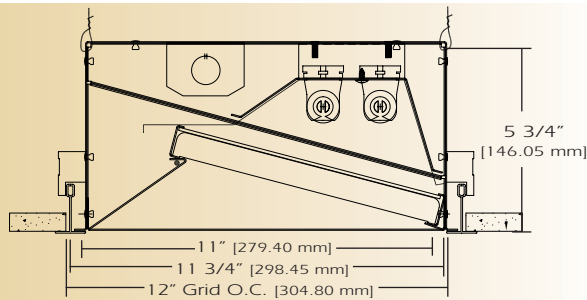


General Illumination

VCR



TYPE _____

FEATURES

The VCR series is an extraordinarily unique lighting element for producing glare free lighting for effective eye-to-eye contact. The VCR fixture maintains vertical illumination for participants to appear with their natural flesh tones. The series is engineered to operate extremely quietly so not to interfere with audio transmission. The VCR series is designed with precision to illuminate dedicated video conference rooms, training centers, multi-purpose rooms and lecture halls. While meeting the audio and visual requirements the series accents the items of interest that may be presented in today's tele/video conferencing world.

SPECIFICATIONS

Housing: Die formed 20-gauge cold rolled steel finished in baked white enamel for concealed portion of housing. Housing has an access plate on top with two 7/8" diameter knockouts.

Reflector: The reflector assembly is engineered with .025 specular anodized aluminum for optimum efficiency.

Electrical: Ballast is electronic, high power factor, thermally protected class P, sound rated A, with less than 20% total harmonic distortion. The minimum number of ballasts will be used unless otherwise specified.

Mounting: Standard installation is 1 x 4 exposed inverted T-bar ceiling. Fixture installations are also available in miniature grid, drywall and plaster ceiling. For mounting detail information consult factory. Four support brackets are included with each fixture.

Shielding: Steel cross baffle 3/4" x 1" on center finished in a baked matte black enamel with clear directional acrylic lens overlay for specific asymmetric controlled direction.

Finish: Exposed fixture housing and steel components are finished in baked matte black enamel applied over a five-stage pretreatment process.

Lamps: Fixtures are provided for use with one or two 32 watt T8 fluorescent lamps. (Supplied by Others)

Certification: Luminaires are U. L. Listed, C.S.A. certified and are Union Made in the United States of America I.B.E.W.

ORDERING GUIDE

MODEL NO.	SHIELDING	LAMPS	MOUNTING	LENGTH	FINISH	VOLTAGE	OPTIONS
VCR	-	-	-	-	-	-	-
VCR	SCB= Steel Cross Blade	132T8 232T8	G= Grid F= Flange	4= ft	BLK= Black CC= Custom Color	120v 277v	See Options Below
		O=Other Specify					

Example: **VCR-SCB-132T8-G-4-BLK-120V**

VCR direct asymmetric with steel cross blade for one 32 watt T8 lamps grid mounted four foot fixture finished in baked black enamel 120v electronic ballast less than 20% total harmonic distortion.

OPTIONS

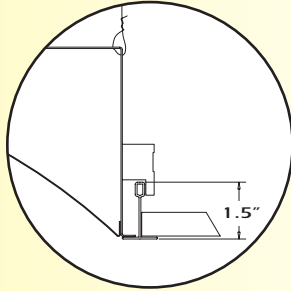
- E10=** Electronic ballast, high power factor, thermally protected class P, sound rated A, <10% total harmonic distortion
- DIM=** Dimming Ballast
- EPC=** Emergency Battery Pack
- EMC=** Emergency Circuit
- ARS=** Air return system
- TCW=** Two Circuit Wiring
- TDW=** Tandem Wiring
- OTH=** See Accessory Section for other options available

General Illumination

VCR

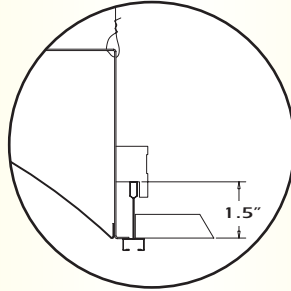
LINEAR SECTIONS AND SUSPENSION LOCATION

MOUNTING "G"



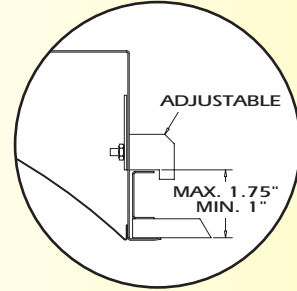
STD. 1 1/2" INVERTED "T" BAR

MOUNTING "MG"



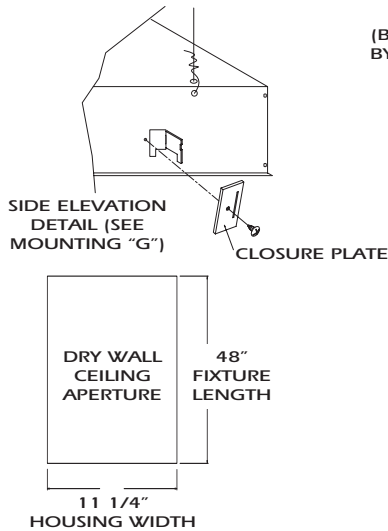
1 1/2" MINIATURE GRID CEILING

MOUNTING "F"

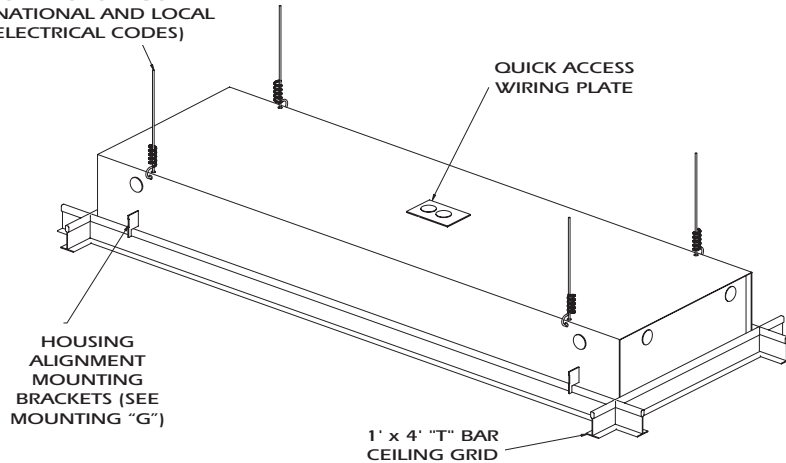


PLASTER OR DRY WALL CEILING

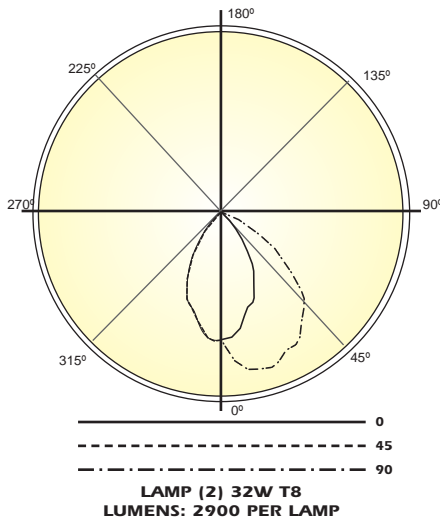
INSTALLATION PREPARATION



WIRE TIES OR CHAINS
(BY OTHERS AS REQUIRED
BY NATIONAL AND LOCAL
ELECTRICAL CODES)



PHOTOMETRY



Candela Distribution:

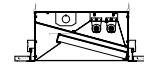
Vert. Angle	0	22.5	45	67.5	90
0	1571	1571	1571	1571	1571
5	1544	1752	1608	1665	1827
10	1430	1545	1563	1850	1961
15	1227	1416	1591	1902	1987
20	1166	1287	1507	1839	1986
25	946	1167	1438	1717	1873
30	780	987	1316	1642	1859
35	514	782	1117	1487	1697
40	328	563	912	1289	1570
45	147	363	715	1074	1405
50	42.9	169	485	858	1071
55	1.18	51.3	279	564	818
60	0.00	6.67	142	366	502
65	0.00	0.32	58.8	210	298
70	0.00	0.00	13.1	99.5	171
75	0.00	0.00	1.11	35.5	76.8
80	0.00	0.00	0.00	7.36	22.3
85	0.00	0.00	0.00	0.25	0.56
90	0.00	0.00	0.00	0.00	0.00

Optical Distribution:
Direct

Coefficients of Utilization - Zonal Cavity Method:

pfc = 0.20

	.8	.7	.5	.3	.1	0
0	42 42 42 42	41 41 41 41	39 39 39	37 37 37	36 36 36	35
1	39 38 37 36	38 37 36 36	36 35 35	35 34 33	33 33 32	32
2	37 35 33 32	36 34 33 31	33 32 31	32 31 30	31 30 29	29
3	34 32 30 28	34 31 29 28	30 29 27	29 28 27	29 27 26	26
4	32 29 27 25	32 29 26 25	28 26 24	27 25 24	26 25 24	23
5	30 27 24 22	30 26 24 22	26 24 22	25 23 22	24 23 22	21
6	28 25 22 20	28 24 22 20	24 22 20	23 21 20	23 21 20	19
7	27 23 20 18	26 22 20 18	22 20 18	22 20 18	21 19 18	18
8	25 21 19 17	25 21 19 17	20 18 17	20 18 17	20 18 17	16
9	24 20 17 16	23 19 17 16	19 17 15	19 17 15	18 17 15	15
10	22 18 16 14	22 18 16 14	18 16 14	18 16 14	17 16 14	14



Total Luminaire Optical
Efficiency = 35.4%