

## Features

The VCR series is an extraordinarily unique lighting element for producing glare free lighting for effective eye-to-eye contact. The VCR fixture maintains vertical illumination for participants to appear with their natural flesh tones. The series is engineered to operate extremely quietly so not to interfere with audio transmission. The VCR series is designed with precision to illuminate dedicated video conference rooms, training centers, multi-purpose rooms and lecture halls. While meeting the audio and visual requirements the series accents the items of interest that may be presented in today's tele/video conferencing world.

## Specifications

**HOUSING:** Die formed 20-gauge cold rolled steel finished in baked white enamel for concealed portion of housing. Housing has an access plate on top with two 7/8" diameter knockouts.

**REFLECTOR:** The reflector assembly is engineered with .025 specular anodized aluminum for optimum efficiency.

**ELECTRICAL:** Ballast is electronic, universal voltage 120/277, high power factor, thermally protected, sound rated A with less than 10% total harmonic distortion. Luminaires in rows are pre-wired with quick connect through wiring. The minimum number of ballasts will be used unless otherwise specified.

**BALLAST DISCONNECT:** Luminaires are pre-wired with integrated locking disconnects.

**MOUNTING:** Standard installation is 1 x 4 exposed inverted T-bar ceiling. Fixture installations are also available in miniature grid, drywall and plaster ceiling. For mounting detail information consult factory. Four support brackets are included with each fixture.

**SHIELDING:** Steel cross baffle 3/4" x 1" on center finished in a baked matte black enamel with clear directional acrylic lens overlay for specific asymmetric controlled direction.

**FINISH:** Exposed fixture housing and steel components are finished in baked matte black enamel applied over a five-stage pretreatment process.

**LAMPS:** Fixtures are provided for use with one or two T8, T5 or T5HO lamps. (Supplied by Others)

**CERTIFICATION:** Luminaires are U. L. Listed, C.S.A. certified and are Union Made in the United States of America I.B.E.W.

TYPE

## Ordering Guide

MODEL NO.	DIRECTION	NO. OF LAMPS	LAMPS	MOUNTING	ROW LENGTH	FINISH	VOLTAGE	OPTIONS
<b>VCR</b>								
VCR	SCB = Steel Cross Baffle	1 2	T8 T5 T5HO	G = Grid F = Flange MG = Mini Grid Other mounting options available, see pgs. 357-359	2 = 2 ft 4 = 4 ft For other, please enter row length (eg. 48 = 48 ft)	BLK = Black CC = Custom Color	UNV = 120/277	DIM = Dimming Ballast EPC = Emergency Battery Pack EMC = Emergency Circuit ARS = Air Return System TCW = Two Circuit Wiring OTH = Other options available, see page 355

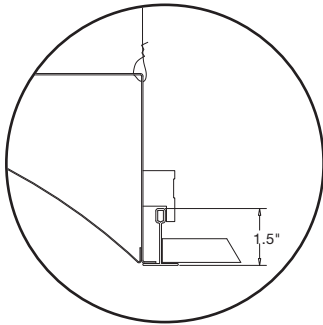
**Example »** VCR | SCB | 1T8 | G | 4 | BLK | UNV

VCR direct asymmetric with steel cross baffle for one 32 watt T8 lamp grid mounted four foot fixture finished in baked black enamel universal voltage electronic ballast less than 10% total harmonic distortion.



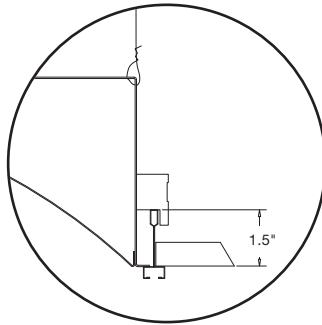
## Linear Sections and Suspension Location

**MOUNTING "G"**



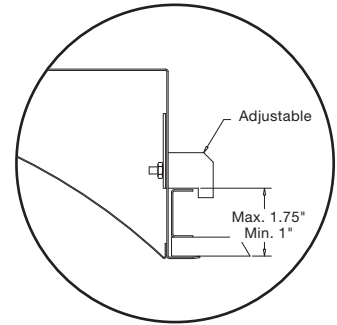
Std. 1 1/2" Inverted "T" Bar

**MOUNTING "MG"**



1 1/2" Miniature Grid Ceiling

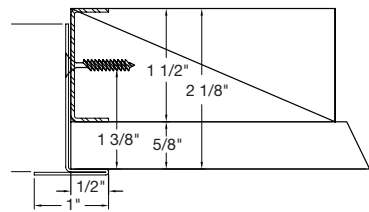
**MOUNTING "F"**



Plaster Or Dry Wall Ceiling  
(Optional)

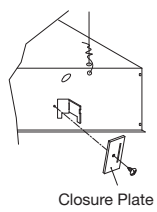
## Installation Preparation

Plaster Frame Detail (All 4 Sides)



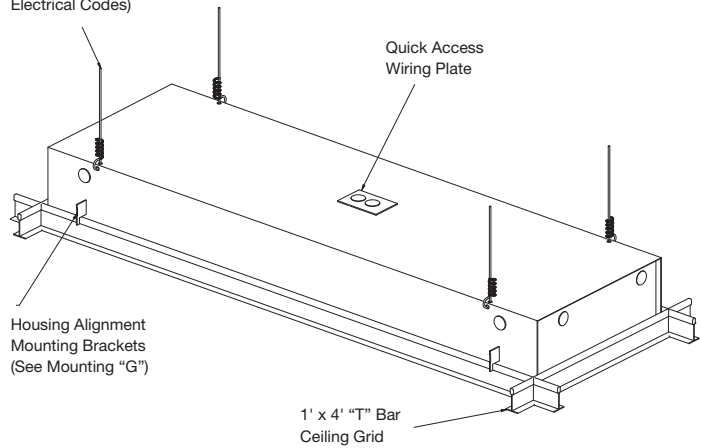
1' x 4' Plaster Frame Kit  
Dry Wall Ceiling Aperture  
13" x 49"

Side Elevation Detail  
(See Mounting "G")



Closure Plate

Wire Ties Or Chains  
(By Others As Required  
By National And Local  
Electrical Codes)



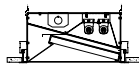
## Photometry

### COEFFICIENTS OF UTILIZATION-ZONAL CAVITY METHOD

pfc = 0.20

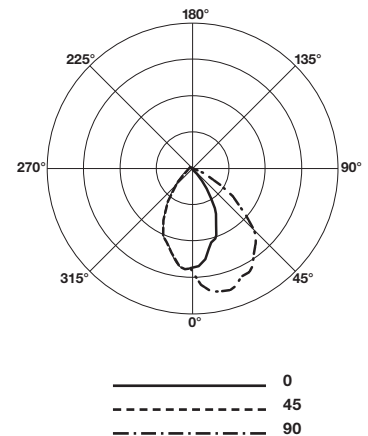
pcc pw	.8				.7				.5				.3				.1				0															
	.7	.5	.3	.1	.7	.5	.3	.1	.5	.3	.1	.5	.3	.1	.5	.3	.1	.5	.3	.1	.5	.3	.1	.5	.3	.1	.5	.3	.1	.5	.3	.1				
<b>RCR</b>																																				
<b>0</b>	52	52	52	52	51	51	51	51	49	49	49	49	47	47	47	47	45	45	45	45	44	44	44	44	44	44	44	44	44	44	44	44	44	44	44	44
<b>1</b>	49	48	47	45	48	47	46	45	45	44	43	43	43	43	42	41	41	41	41	41	40	40	40	40	40	40	40	40	40	40	40	40	40	40	40	40
<b>2</b>	46	44	42	40	45	43	41	39	41	40	39	40	39	38	36	36	36	36	36	36	36	36	36	36	36	36	36	36	36	36	36	36	36	36	36	36
<b>3</b>	43	40	37	35	42	39	37	35	38	36	34	37	35	34	33	33	33	33	33	33	33	33	33	33	33	33	33	33	33	33	33	33	33	33	33	33
<b>4</b>	41	37	34	32	40	36	33	31	35	33	31	34	32	31	30	30	30	30	30	29	29	29	29	29	29	29	29	29	29	29	29	29	29	29	29	29
<b>5</b>	38	34	31	28	37	33	30	28	32	30	28	32	29	28	27	27	27	27	27	27	27	27	27	27	27	27	27	27	27	27	27	27	27	27	27	27
<b>6</b>	36	31	28	26	35	31	28	26	30	27	25	29	27	25	24	24	24	24	24	24	24	24	24	24	24	24	24	24	24	24	24	24	24	24	24	24
<b>7</b>	34	29	26	23	33	28	26	23	28	25	23	27	25	23	22	22	22	22	22	22	22	22	22	22	22	22	22	22	22	22	22	22	22	22	22	22
<b>8</b>	32	27	24	22	31	26	24	22	26	23	21	25	23	21	21	21	21	21	21	21	21	21	21	21	21	21	21	21	21	21	21	21	21	21	21	21
<b>9</b>	30	25	22	20	29	25	22	20	24	22	20	24	21	20	19	19	19	19	19	19	19	19	19	19	19	19	19	19	19	19	19	19	19	19	19	19
<b>10</b>	28	23	20	18	28	23	20	18	23	20	18	22	20	18	18	18	18	18	18	18	18	18	18	18	18	18	18	18	18	18	18	18	18	18	18	18

Total Luminaire Optical  
Efficiency = 43.7%



### CANDELA DISTRIBUTION

Vert. Angle	0	22.5	45	67.5	90
0	1947	1947	1947	1947	1947
5	1957	1924	1993	2029	2023
10	1784	1905	2013	2123	2183
15	1660	1800	1999	2177	2288
20	1433	1701	1998	2210	2392
25	1222	1518	1898	2217	2371
30	946	1303	1712	2130	2319
35	670	1056	1494	1949	2181
40	422	768	1201	1699	2010
45	207	470	905	1402	1687
50	64.0	240	604	1041	1299
55	19.7	95.0	355	697	899
60	9.39	29.7	181	419	536
65	3.63	12.0	71.4	222	303
70	0.81	4.75	25.0	98.9	143
75	0.14	1.43	6.86	36.0	56.4
80	0.01	0.17	1.35	8.13	14.8
85	0.00	0.01	0.09	0.81	1.83
90	0.00	0.00	0.00	0.01	0.05



Lamp (2) 32w T8

Lumens: 2900 Per Lamp

Optical Distribution:  
100% Direct

Day-O-Lite reserves the right to change product specifications without notice for product improvement.