

Features

The Jazz SCB DI is one variation of a complete family of direct/indirect fluorescent luminaires. Constructed of perforated steel and aluminum extrusions, it features a reveal between modules in continuous rows. The Jazz SCB DI series is furnished with a isolated compact fluorescent task down light. The Jazz SCB DI series can be furnished with a wide variety of perforated accent patterns in addition to the standard pattern. The standard pattern are two continuous perforated sections 5 1/2" wide on each side separated by a 3" solid band in the center of the fixture. The perforations are 1/16" holes on 3/32" straight centers. Laser cut corporate logos can also be supplied as a feature for reception areas and conference rooms. The computer designed optical system creates a widespread indirect distribution, while the variety of direct components provides useful contrast.

Specifications

HOUSING: One piece die formed 20-gauge cold rolled steel welded construction forming a 13" x 3 1/2" rounded profile. Continuous perforated sections are 1/16" x 3/32" straight centers with white .020 translucent overlay. Perforated sides are 5 1/2" wide and end 1" from fixture end with steel cross blade baffle 5/8" O.C. x 5/8" H. centered in fixture. Decorative finished end caps are extruded aluminum incorporating leveling hanging supports with no exposed hardware or knockouts. Special logo designs and perforated patterns are available.

REFLECTOR: Die formed 20 gauge cold rolled steel minimum 90% reflectivity finished in high gloss baked white enamel. Die formed specular reflector is also available.

ELECTRICAL: Ballast is electronic, universal voltage 120/277, high power factor, thermally protected, sound rated A with less than 10% total harmonic distortion. Luminaires in rows are pre-wired with quick connect through wiring. The minimum number of ballasts will be used unless otherwise specified.

BALLAST DISCONNECT: Luminaires are pre-wired with integrated locking disconnects.

MOUNTING: Standard Installation is an adjustable self-locking aircraft cable assembly 48" x 3/32" in diameter with 5" canopy. One 16/4 SJT straight 54" cord is supplied with each power feed. Standard pendants are available in 24" lengths. See Mounting Options pages for additional mounting.

FINISH: Fixture housing and steel components are finished in baked white enamel applied over a five-stage pretreatment process.

LAMPS: Fixtures are provided for use with two, three or four T8, T5 or T5HO lamps up and one compact fluorescent down. (Supplied by Others)

CERTIFICATION: Luminaires are U.L. Listed, C.S.A. certified and are Union Made in the United States of America I.B.E.W.

TYPE

Ordering Guide

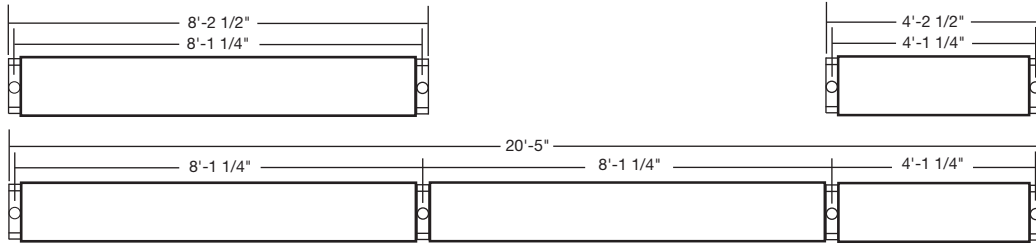
MODEL NO.	DIRECTION	NUMBER OF LAMPS	LAMPS UP	LAMPS DOWN	MOUNTING	ROW LENGTH	FINISH	VOLTAGE	OPTIONS
JAZ-SCB	DI								
JAZ-SCB	DI = Direct/ Indirect	2 3 4	T8 T5 T5HO	140CF 150CF	AC = Cable PD = Pendant Other mounting options available, see pgs. 357-359	4 = 4 ft 8 = 8 ft For other, please enter row length (eg. 48 = 48 ft)	W = White CC = Custom Color	UNV = 120/277	DIM = Dimming Ballast EPC = Emergency Battery Pack EMC = Emergency Circuit TCW = Two Circuit Wiring SPR = Specular Reflector OTH = Other options available, see page 355

Example » JAZ-SCB | DI | 2T8 | 140CF | AC | 4 | W | UNV

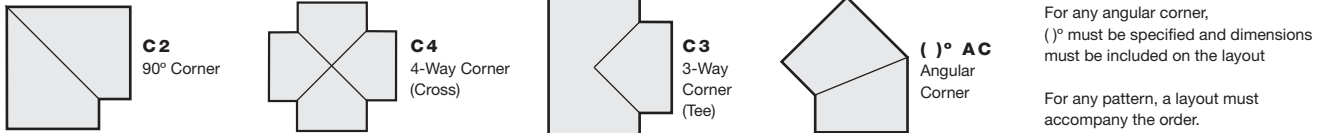
Jazz direct/indirect fixture perforated sections with opal overlay for two 32 watt T8 lamps up and 140 watt compact fluorescent down with two 48 inch aircraft cables and power feed four foot fixture finished in baked white enamel with universal voltage electronic ballast less than 10% total harmonic distortion.

Linear Sections and Suspension Location

SUSPENSION MOUNTING

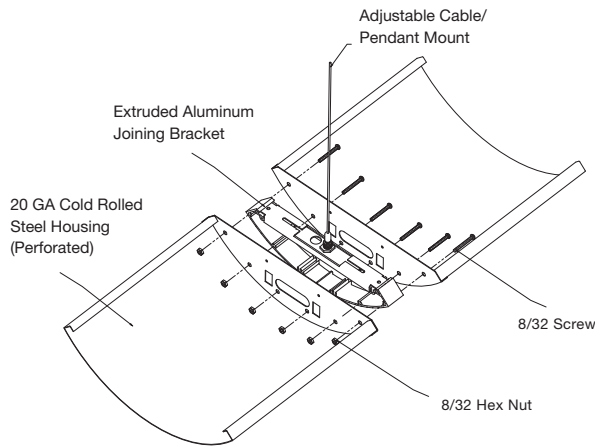


CORNERS Corners and fixture extensions are custom fabricated to precise dimensions. Please indicate the specific requirements on the layout

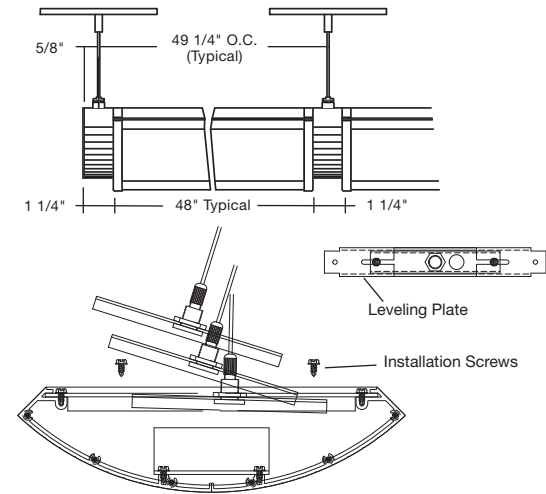


Installation Preparation

TYPICAL JOINT DETAIL



MOUNTING BAR INSTALLATION



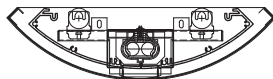
Photometry

COEFFICIENTS OF UTILIZATION-ZONAL CAVITY METHOD

pfc = 0.20

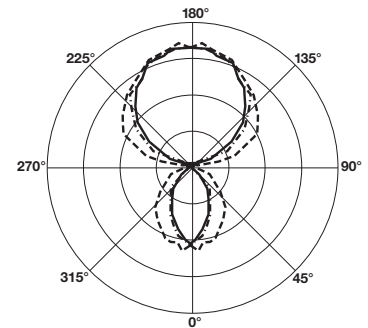
pcc	.8		.7		.5		.3		.1		0							
pw	.7	.5	.3	.1	.7	.5	.3	.1	.5	.3	.1	0						
RCR																		
0	74	74	74	74	66	66	66	66	52	52	52	38	38	38	26	26	26	20
1	67	64	62	59	60	58	55	53	45	43	42	33	32	32	21	21	21	17
2	61	56	52	48	55	50	47	44	39	37	35	29	28	26	18	18	18	14
3	56	49	44	40	50	44	40	37	35	32	29	26	24	22	15	15	15	12
4	51	44	38	34	46	39	35	31	31	28	25	23	21	19	13	13	13	11
5	47	39	33	29	42	35	30	27	28	24	22	21	19	17	11	11	11	9
6	43	35	29	25	39	31	27	23	25	21	19	19	16	15	10	10	10	8
7	40	31	26	22	36	28	24	20	23	19	17	17	15	13	9	9	9	7
8	37	28	23	19	33	26	21	18	21	17	15	16	13	12	8	8	8	7
9	34	26	21	17	31	23	19	16	19	15	13	14	12	10	7	7	7	6
10	32	24	19	15	29	21	17	14	17	14	12	13	11	9	7	7	7	6

Total Luminaire Optical Efficiency = 72.5%



CANDELA DISTRIBUTION

Vert. Angle	0	22.5	45	67.5	90
0	933	933	933	933	933
10	792	796	827	838	884
20	664	672	704	733	771
30	493	509	556	608	665
40	352	355	406	467	516
50	282	276	284	359	435
60	225	205	199	254	321
70	149	142	133	159	202
80	71.5	74.0	81.8	98.2	111
90	18.8	41.5	57.6	69.8	76.4
100	197	304	455	544	566
110	403	467	642	775	821
120	616	645	767	875	926
130	783	815	887	978	1010
140	949	971	1013	1048	1082
150	1115	1123	1124	1135	1162
160	1202	1222	1234	1220	1241
170	1257	1245	1267	1277	1267
180	1275	1275	1275	1275	1275



— 0
- - - 45
- · - · - 90

Lamp (2) 32w T8 and (1) 40CF

Lumens: 2900 Per 32W and 3150 Per 40W Lamps

Optical Distribution:
30% Direct: 70% Indirect

Day-O-Lite reserves the right to change product specifications without notice for product improvement.