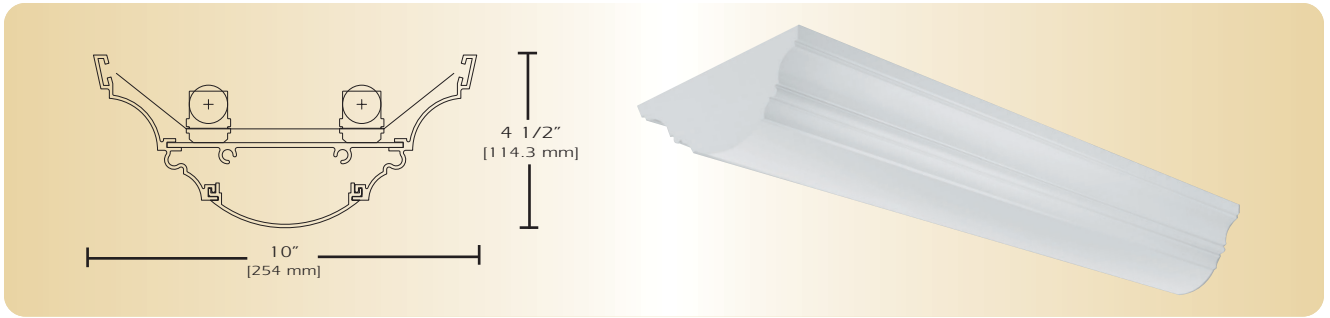


Special Profiles

AD-103-I



TYPE _____

FEATURES

The AD 103 I is the suspended mounted variation of this complete family of luminaires. A smooth laser cut welded end finishes the graceful sculptured contour of the extruded aluminum profile. The computer designed optical system creates a wide symmetric glare-free indirect distribution. These fixtures can be mounted individually, in continuous runs or patterns.

SPECIFICATIONS

Housing: One piece heavy gauge extruded aluminum 6063T5 alloy welded construction forming a 4 1/2" x 10" scallop profile. Finished end caps are welded to housing with no exposed hardware or knockouts.

Reflector: Die formed 20-gauge cold rolled steel minimum 90% reflectivity finished in high gloss baked white enamel.

Electrical: Ballast is electronic, high power factor, thermally protected class P, sound rated A, with less than 20% total harmonic distortion. The minimum number of ballasts will be used unless otherwise specified.

Mounting: Standard Installation is an adjustable self-locking aircraft cable assembly 48" x 3/32" in diameter with 5" canopy. One 16/4 SJT straight 54" cord is provided per power feed. Standard pendants are available in 24" lengths. See Accessories for additional mounting.

Finish: Fixture housing and steel components are finished in baked white enamel applied over a five-stage pretreatment process.

Lamps: Fixtures are provided for use with two or three 32 watt T8 lamps or 54 watt T5 HO lamps. (Supplied by Others)

Certification: Luminaires are U. L. Listed, C. S. A. certified and are Union Made in the United States of America I.B.E.W.

ORDERING GUIDE

MODEL NO.	DIRECTION	LAMPS	MOUNTING	LENGTH	FINISH	VOLTAGE	OPTIONS
AD-103	I	232 T8 332 T8 254T5 HO 354T5 HO	AC= Cable PC= Pendant	4= ft 8= ft	W= White CC= Custom Color	120v 277v	See Options Below
		O= Other Specify	See Accessories	for other, please enter row length (eg. 48=48ft)			

Example: **AD-103-I-232T8-AC-4-W-120V**
 AD-103 indirect with two 32 watt T8 lamps including two 48 inch aircraft cables and power feed four foot fixture finished in baked white enamel 120v electronic ballast less than 20% total harmonic distortion.

OPTIONS

- E10=** Electronic ballast, high power factor, thermally protected class P, sound rated A, < 10% total harmonic distortion
- DIM=** Dimming Ballast
- EPC=** Emergency Battery Pack
- EMC=** Emergency Circuit
- TCW=** Two Circuit Wiring
- TDW=** Tandem Wiring
- OTH=** See Accessories for other options available

