

## Features

The Outrigger-XP is a unique extruded luminaire with an extraordinary optical system that captivates engineering design. The specular aluminum reflector disperses light through an optical assembly of a silver paracube louver with a ribbed directional lens and a special designed steel cross baffle. This very unique industrial fixture utilizes energy efficient T5 technology while the direct components provide an interesting contrast.

## Specifications

**HOUSING:** One piece heavy gauge extruded aluminum construction forming a 3 3/8" elliptical formed profile. Finished end caps and splice boxes are of cast aluminum. The splice boxes act as joiners for continuous rows and are specially machined and threaded to receive 3/4" conduits for mounting.

**SHIELDING:** An optical assembly of 1/2" silver paracube louver with a ribbed acrylic directional lens and a special designed 3/4" x 3/4" o.c. steel cross baffle.

**REFLECTOR:** Die formed specular anodized aluminum.

**ELECTRICAL:** Ballast is electronic, low-profile, universal voltage 120/277, high power factor, thermally protected, sound rated A with less than 10% total harmonic distortion. Luminaires in rows are pre-wired with quick connect through wiring. The minimum number of ballasts will be used unless otherwise specified. Please consult factory for lamp/ballast availability.

**BALLAST DISCONNECT:** Luminaires are pre-wired with integrated locking disconnects.

**MOUNTING:** Standard installation is rigid 3/4" pendant, 24" standard for ceiling mount, 8" standard for wall mount.

**FINISH:** Fixture housing and steel components are finished in baked candlelight silver enamel applied over a five-stage pretreatment process. Optional white and custom colors available.

**LAMPS:** Fixtures are provided for use with T5 or T5HO lamps. (Supplied by Others)

**CERTIFICATION:** Luminaires are U.L. Listed, C.S.A. certified and are Union Made in the United States of America. I.B.E.W.

TYPE

## Ordering Guide

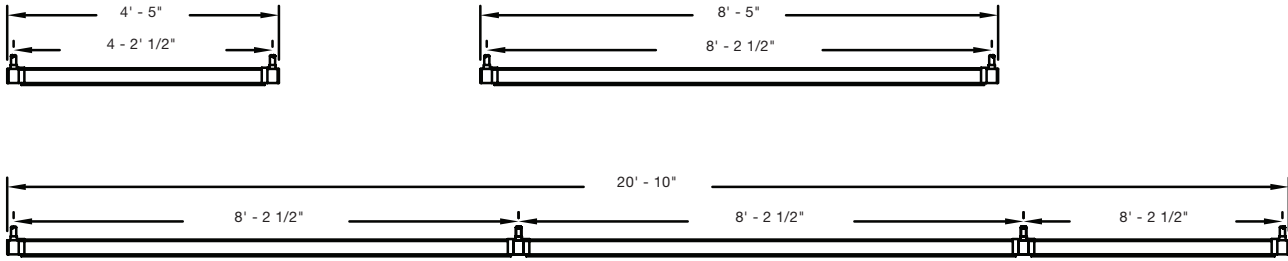
MODEL NO.	SHIELDING	NUMBER OF LAMPS	LAMPS	MOUNTING	ROW LENGTH	FINISH	VOLTAGE	OPTIONS
<b>OU-XP</b>								
<b>OU-XP</b>	<b>CA</b> = Clear Acrylic Lens <b>SA</b> = Satin Acrylic Lens <b>SCBCA</b> = Steel Cross Baffle with Clear Acrylic <b>SXCB</b> = Silver Paracube Louver, Ribbed Linear Lens and Steel Cross Baffle Assembly	<b>1</b> <b>2</b>	<b>T5</b> <b>T5HO</b>	<b>PD</b> = Pendant <b>WM</b> = Wall Other mounting options available, see pgs. 357-359	<b>4</b> = 4 ft <b>6</b> = 6 ft <b>8</b> = 8 ft For other, please enter row length (eg. 48 = 48 ft)	<b>CS</b> = Candlelight Silver <b>W</b> = White <b>CC</b> = Custom Color	<b>UNV</b> = 120/277	<b>DIM</b> = Dimming Ballast <b>EPC</b> = Emergency Battery Pack <b>EMC</b> = Emergency Circuit <b>TCW</b> = Two Circuit Wiring <b>OTH</b> = Other options available, see page 355

**Example »**    **OU-XP** | **SXCB** | **1T5HO** | **PD** | **4** | **W** | **UNV**

Outrigger-XP with silver paracube louver, ribbed lens and steel cross baffle assembly, one 54 watt T5HO lamp, 4' fixture, including two 24" long 3/4" ips pendants finished in candlelight silver baked enamel, universal voltage electronic ballast less than 10% total harmonic distortion.

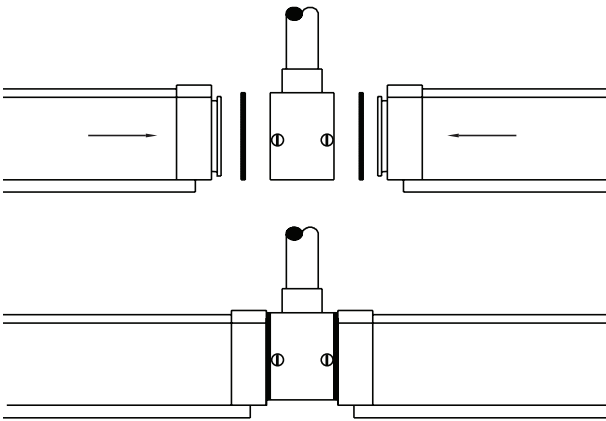


## Linear Sections and Suspension Location

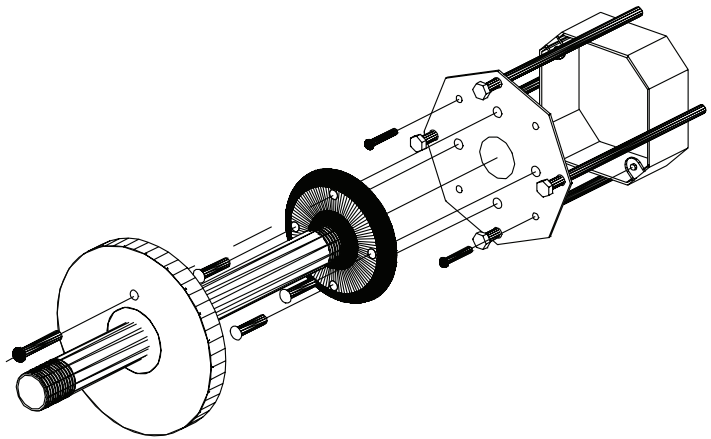


## Installation Preparation

### JOINT DETAIL



### WALL FLANGE DETAIL



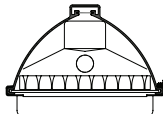
## Photometry

### COEFFICIENTS OF UTILIZATION - ZONAL CAVITY METHOD

pfc = 0.20

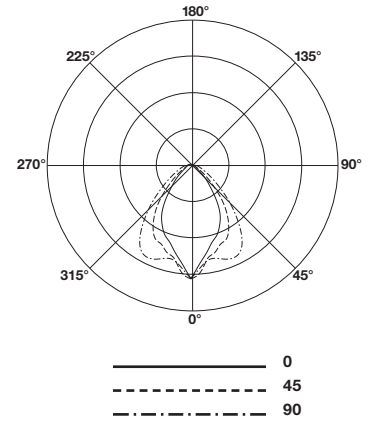
pcc	.8		.7		.5		.3		.1		0	
pw	.7	.5	.3	.1	.7	.5	.3	.1	.5	.3	.1	0
<b>RCR</b>												
0	57	57	57	57	55	55	55	55	53	53	53	51
1	53	51	50	48	52	50	49	47	48	47	46	46
2	49	46	44	41	48	45	43	41	44	42	40	42
3	46	42	39	36	45	41	38	36	40	37	35	38
4	43	38	34	32	42	37	34	32	36	33	31	35
5	40	35	31	28	39	34	31	28	33	30	28	32
6	37	32	28	25	36	31	28	25	30	27	25	30
7	35	29	26	23	34	29	25	23	28	25	23	27
8	33	27	23	21	32	27	23	21	26	23	21	25
9	31	25	21	19	30	25	21	19	24	21	19	23
10	29	23	20	18	28	23	20	17	22	19	17	22

Total Luminaire Optical  
Efficiency = 47.8%



### CANDELA DISTRIBUTION

Vert. Angle	0	22.5	45	67.5	90
0	1607	1607	1607	1607	1607
5	1406	1399	1521	1508	1466
10	1265	1321	1342	1410	1373
15	1140	1208	1284	1370	1371
20	1064	1114	1198	1339	1423
25	952	1011	1164	1329	1448
30	820	868	1061	1258	1401
35	631	730	902	1108	1247
40	431	526	713	881	1018
45	297	365	501	667	784
50	170	214	330	471	560
55	97.9	123	208	315	395
60	73.7	83.7	123	204	276
65	50.9	64.6	82.8	138	193
70	32.9	47.3	65.6	96.9	139
75	24.9	34.7	48.0	71.1	97.2
80	17.3	22.2	35.1	42.2	56.1
85	6.80	13.6	18.3	23.7	22.8
90	2	8.10	12.7	16.4	7.90



Lamp (1) 54w T5HO  
Lumens: 5000 Per Lamp

Optical Distribution:  
100% Direct

Day-O-Lite reserves the right to change product specifications without notice for product improvement.