

## Features

The NAS-PS is one variation of a complete group of Recessed Direct luminaires. Featuring a two side metal perforated lamp shields with an acrylic overlay to obscure direct lamp image. The two side perforated lamp shields are positioned above the ceiling plane. Lamp output is distributed over a computer designed reflector system to provide soft, glare free illumination. The NAS-PS series can be used in any installation where high performance and comfortable lighting is required.

## Specifications

**HOUSING:** Die formed 20-gauge cold rolled steel finished in baked white enamel. Housing has an access plate on top with two 7/8" diameter knockouts.

**SHIELDING:** Die formed 20 gauge perforated steel lamp shields has a 58% opening with white acrylic .020 translucent overlay. The hinged lamp shield is removeable for easy lamp access.

**REFLECTOR:** Die formed .020 steel 90% minimum reflectivity finished in low glare matte baked white enamel.

**ELECTRICAL:** Ballast is electronic, universal voltage 120/277, high power factor, thermally protected, sound rated A with less than 10% total harmonic distortion. The minimum number of ballasts will be used unless otherwise specified.

**BALLAST DISCONNECT:** Luminaires are pre-wired with integrated locking disconnects.

**MOUNTING:** Standard installation is 2 x 2 exposed inverted T-bar ceiling. Optional trims are also available for installations in miniature grid, drywall or plaster ceiling. For mounting detail information consult factory. Four support brackets are included with each fixture.

**FINISH:** Fixture housing and steel components are finished in baked white enamel applied over a five-stage pretreatment process.

**LAMPS:** Fixtures are provided for use with T8, T5, T5HO, or compact fluorescent lamps. (Supplied by Others)

**CERTIFICATION:** Luminaires are U.L. Listed, C.S.A. certified and are Union Made in the United States of America I.B.E.W.

TYPE

## Ordering Guide

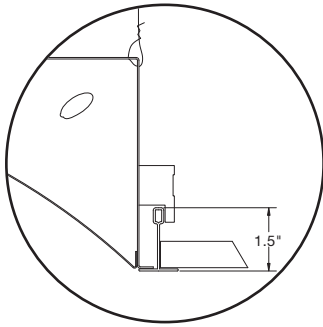
MODEL NO.	NUMBER OF LAMPS	LAMPS	SIZE	MOUNTING	FINISH	VOLTAGE	OPTIONS
<b>NAS-PS</b>			<b>22</b>				
NAS-PS	2 4	40CF 50CF T8 T5 T5HO	22 = 2 x 2	G = Standard Lay-in Grid MG = Miniature Grid F = Flanged	W = White CC = Custom Color	UNV = 120/277	DIM = Dimming Ballast EPC = Emergency Battery Pack EMC = Emergency Circuit TCW = Two Circuit Wiring ARS = Air return system FWH = Flexible wiring harness OTH = Other options available, see page 355

**Example »** NAS-PS | 240CF | 22 | G | W | UNV

New Age Series with two perforated lamp shields two 40 watt compact fluorescent 2 x 2 grid fixture finished in baked white enamel universal voltage electronic ballast less than 10% harmonics.

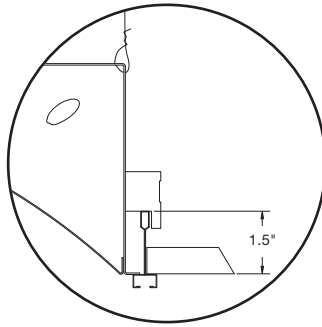
## Linear Sections and Suspension Location

**MOUNTING "G"**



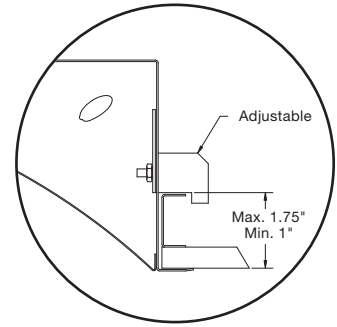
Std. 1 1/2" Inverted "T" Bar

**MOUNTING "MG"**



1 1/2" Miniature Grid Ceiling

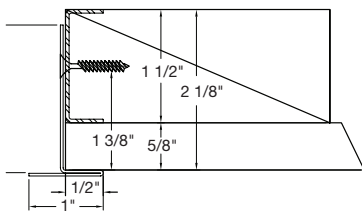
**MOUNTING "F"**



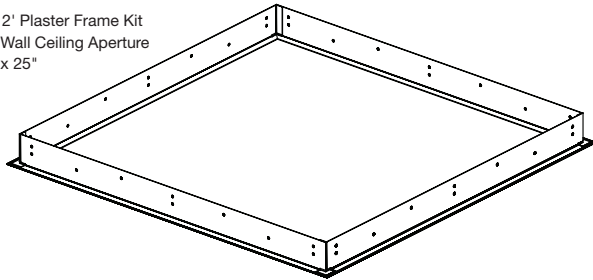
Plaster Or Dry Wall Ceiling  
(Optional)

## Installation Preparation

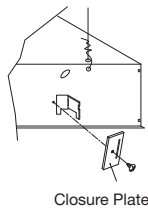
Plaster Frame Detail (All 4 Sides)



2' x 2' Plaster Frame Kit  
Dry Wall Ceiling Aperture  
25" x 25"



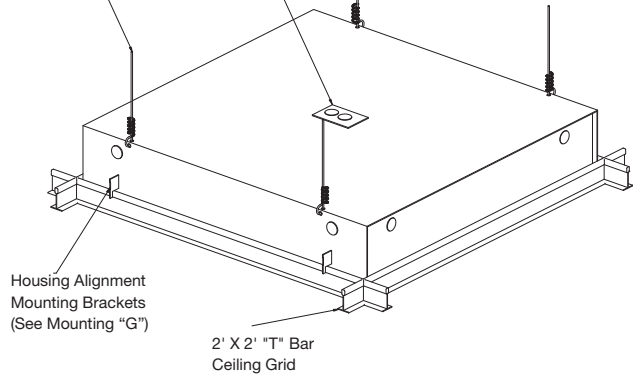
Side Elevation Detail  
(See Mounting "G")



Closure Plate

Wire Ties Or Chains  
(By Others As Required  
By National And Local  
Electrical Codes)

Quick Access  
Wiring Plate



Housing Alignment  
Mounting Brackets  
(See Mounting "G")

2' X 2' "T" Bar  
Ceiling Grid

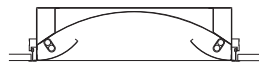
## Photometry

### COEFFICIENTS OF UTILIZATION-ZONAL CAVITY METHOD

pfc = 0.20

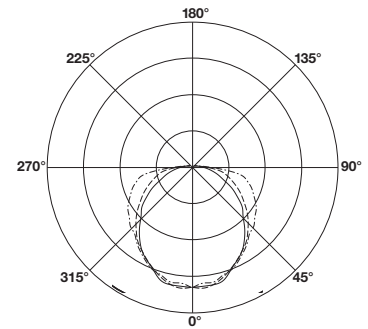
pcc	.8				.7				.5				.3				.1				0														
pw	.7	.5	.3	.1	.7	.5	.3	.1	.5	.3	.1	.5	.3	.1	.5	.3	.1	.5	.3	.1	.5	.3	.1	.5	.3	.1	.5	.3	.1	.5	.3	.1	.5	.3	.1
<b>RCR</b>																																			
<b>0</b>	82	82	82	82	80	80	80	80	76	76	76	73	73	73	70	70	70	69																	
<b>1</b>	74	70	67	64	72	68	65	63	65	63	61	63	61	59	60	58	57	55																	
<b>2</b>	66	60	55	51	65	59	54	50	56	52	49	54	51	48	52	49	47	45																	
<b>3</b>	60	52	46	42	58	51	46	41	49	44	40	47	43	40	45	42	39	37																	
<b>4</b>	55	46	40	35	53	45	39	35	43	38	34	42	37	34	40	36	33	32																	
<b>5</b>	50	41	35	30	49	40	34	30	39	33	29	37	33	29	36	32	29	27																	
<b>6</b>	47	37	30	26	45	36	30	26	35	30	25	34	29	25	33	28	25	24																	
<b>7</b>	43	33	27	23	42	33	27	23	32	26	22	31	26	22	30	25	22	21																	
<b>8</b>	40	30	24	20	39	30	24	20	29	24	20	28	23	20	27	23	20	18																	
<b>9</b>	37	28	22	18	36	27	22	18	27	22	18	26	21	18	25	21	18	16																	
<b>10</b>	35	26	20	16	34	25	20	16	25	20	16	24	19	16	23	19	16	15																	

Total Luminaire Optical  
Efficiency = 69.1%



### CANDELA DISTRIBUTION

Vert. Angle	0	22.5	45	67.5	90
<b>0</b>	1435	1435	1435	1435	1435
<b>5</b>	1427	1458	1450	1438	1390
<b>10</b>	1425	1442	1420	1404	1395
<b>15</b>	1398	1385	1365	1340	1341
<b>20</b>	1306	1321	1296	1291	1311
<b>25</b>	1232	1248	1227	1214	1252
<b>30</b>	1159	1142	1159	1153	1183
<b>35</b>	1058	1060	1095	1105	1115
<b>40</b>	947	987	1007	1036	1041
<b>45</b>	834	885	920	975	1013
<b>50</b>	759	769	828	927	951
<b>55</b>	639	655	731	857	910
<b>60</b>	531	545	648	786	851
<b>65</b>	403	450	561	714	786
<b>70</b>	318	358	477	660	729
<b>75</b>	234	291	403	584	655
<b>80</b>	154	204	306	468	542
<b>85</b>	74.5	88.8	127	189	228
<b>90</b>	11.4	10.9	11.3	13.4	17.0



— 0  
- - - 45  
- · - · - 90

Lamp (2) 40w C.F.

Lumens: 3150 Per Lamp

Optical Distribution:  
100% Direct

Day-O-Lite reserves the right to change product specifications without notice for product improvement.