

Features

The 35S8 wall mounted luminaire is distinguished by its low profile and contemporary design. This high quality luminaire is suitable for most lighting systems. The highly efficient design produces a uniform indirect light distribution. The 35S8 wall mounted fixture is ideal where style quality and performance applications apply. The 35S8 is the matching luminaire to our most popular 35S10 series.

Specifications

HOUSING: One piece die formed 20-gauge cold rolled steel welded construction forming a 3 1/2" x 8" oval profile. Finished end caps are laser cut 18-gauge cold rolled steel, with no exposed hardware or knockouts.

REFLECTOR: Die formed 20-gauge cold rolled steel minimum 90% reflectivity finished in high gloss baked white enamel.

ELECTRICAL: Ballast is electronic, universal voltage 120/277, high power factor, thermally protected, sound rated A with less than 10% total harmonic distortion. Luminaires in rows are pre-wired with quick connect through wiring. The minimum number of ballasts will be used unless otherwise specified.

BALLAST DISCONNECT: Luminaires are pre-wired with integrated locking disconnects.

MOUNTING: Standard installation is key slots 37 3/4" O.C. for ease of installation.

FINISH: Fixture housing and steel components are finished in baked white enamel applied over a five-stage pretreatment process.

LAMPS: Fixtures are provided for use with one, two or three T8, T5 or T5HO lamps. (Supplied by Others]

CERTIFICATION: Luminaires are U. L. Listed, C.S.A. certified and are Union Made in the United States of America. I.B.E.W.

TYPE

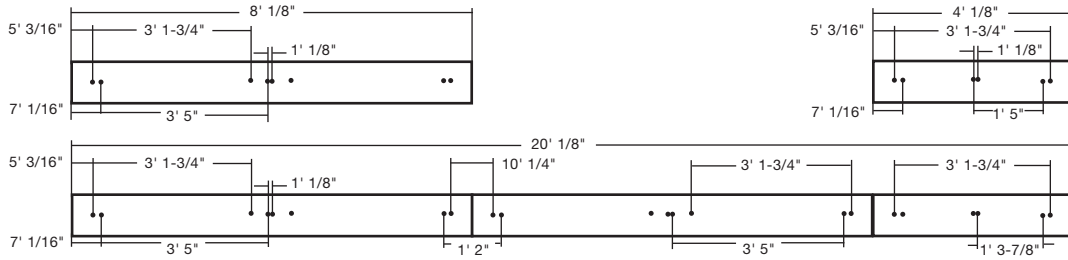
Ordering Guide

MODEL NO.	DIRECTION	NUMBER OF LAMPS	LAMPS	MOUNTING	ROW LENGTH	FINISH	VOLTAGE	OPTIONS
35S8	I							
35S8	I = Indirect	1 2 3	T8 T5 T5HO	WM = Wall Mount	4 = 4 ft 8 = 8 ft For other, please enter row length (eg. 48 = 48 ft)	W = White CC = Custom Color	UNV = 120/277	DIM = Dimming Ballast EPC = Emergency Battery Pack EMC = Emergency Circuit TWC = Two Circuit Wiring OTH = Other options available, see page 355

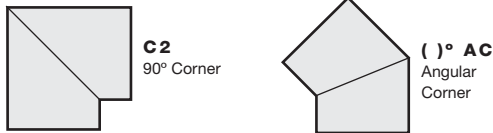
Example » 35S8 | I | 2 | T8 | WM | 4 | W | UNV

35S8 indirect for two 32 watt T8 lamps wall mounted four foot fixture finished in baked white enamel universal voltage electronic ballast less than 10% total harmonic distortion.

Linear Sections and Suspension Location

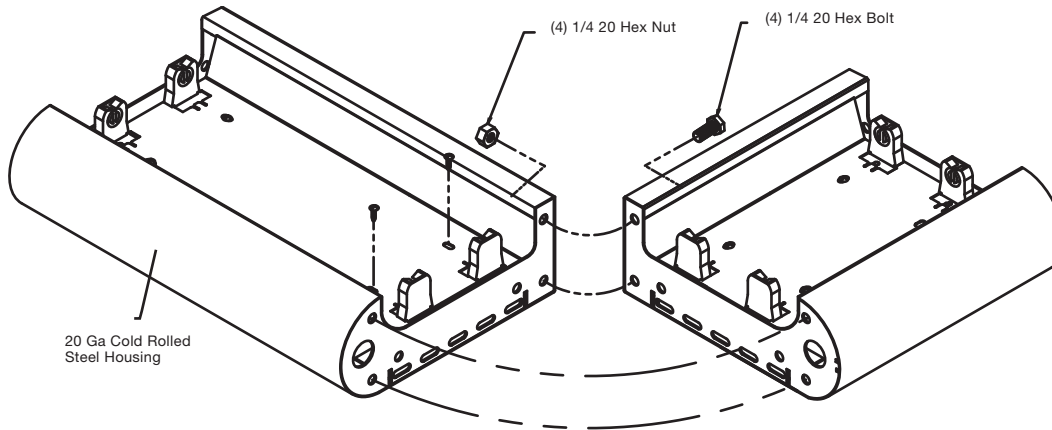


CORNERS Corners and fixture extensions are custom fabricated to precise dimensions. Please indicate the specific requirements on the layout



For any angular corner, ()° must be specified and dimensions must be included on the layout
For any pattern, a layout must accompany the order.

Installation Preparation



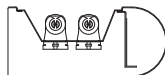
Photometry

COEFFICIENTS OF UTILIZATION-ZONAL CAVITY METHOD

pfc = 0.20

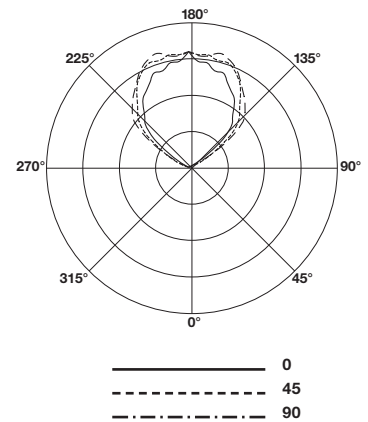
pcc	.8			.7			.5			.3			.1			0		
pw	.7	.5	.3	.1	.7	.5	.3	.1	.5	.3	.1	.5	.3	.1	.5	.3	.1	0
RCR																		
0	83	83	83	83	71	71	71	71	49	49	49	28	28	28	9	9	9	0
1	76	72	69	66	65	62	59	57	42	41	39	24	24	23	7	7	7	0
2	69	63	58	54	59	54	50	47	37	35	33	21	20	19	6	6	6	0
3	63	55	49	45	53	47	43	39	33	30	27	19	17	16	5	5	5	0
4	57	49	42	38	49	42	37	33	29	26	23	17	15	14	4	4	4	0
5	52	43	37	32	44	37	32	28	25	22	20	15	13	12	4	4	4	0
6	48	38	32	27	41	33	28	24	23	19	17	13	11	10	3	3	3	0
7	44	34	28	23	37	29	24	20	20	17	14	12	10	9	3	3	3	0
8	41	31	25	20	35	26	21	18	18	15	13	11	9	7	2	2	2	0
9	38	28	22	18	32	24	19	15	17	13	11	10	8	7	2	2	2	0
10	35	25	19	16	30	22	17	14	15	12	10	9	7	6	2	2	2	0

Total Luminaire Optical Efficiency = 87.4%



CANDELADISTRIBUTION

Vert. Angle	0	22.5	45	67.5	90
90	22.4	16.3	16.0	16.9	15.8
95	115	123	114	108	103
100	233	294	312	296	295
105	333	432	487	506	500
110	443	560	641	682	691
115	538	668	777	845	864
120	641	756	893	995	996
125	748	849	994	1106	1128
130	832	930	1092	1196	1229
135	934	1016	1163	1279	1328
140	1016	1087	1239	1350	1404
145	1129	1171	1302	1401	1434
150	1197	1252	1345	1450	1500
155	1237	1285	1365	1451	1464
160	1287	1315	1361	1427	1463
165	1302	1339	1383	1392	1395
170	1367	1362	1361	1384	1375
175	1354	1346	1399	1402	1362
180	1369	1369	1369	1369	1369



Lamp (2) 32w T8

Lumens: 2900 Per Lamp

Optical Distribution:
100% Indirect

Day-O-Lite reserves the right to change product specifications without notice for product improvement.