

## Features

The PTP EP architectural linear series is an extraordinarily efficient steel luminaire. The PTP EPAI WM is designed with direct and indirect distribution for wall mounting. This series can be mounted individually, in perfectly aligned continuous rows or in any of combination of patterns. The PTP EPAI WM is an asymmetric inward indirect distribution. This series is available with direct and indirect lamp control and almost limitless variety of down light shielding. The PTP series is an ideal solution for open spaces and provides maximum design versatility.

## Specifications

**HOUSING:** Die formed 20 gauge cold rolled steel welded construction, top and bottom of housing have a 3/8" regression for structural rigidity and conformity. Joiner ends are notched below the lamps for ease of installation and continuous baffle appearance. Finished end caps are laser cut 18 gauge cold rolled steel, with no exposed hardware or knockouts. Housing aligners provide precision alignment for continuous rows.

**REFLECTOR:** Both direct and indirect reflectors are die formed 20-gauge cold rolled steel minimum 90% reflectivity finished in high gloss baked white enamel.

**SHIELDING:** Parabolic louver is semi-specular low iridescence aluminum 1 1/2" x 2" O.C. with 24 cells per 4' section for direct lighting element. Indirect is open.

**ELECTRICAL:** Ballast is electronic, universal voltage 120/277, high power factor, thermally protected, sound rated A with less than 10% total harmonic distortion. Luminaires in rows are pre-wired with quick connect through wiring. The minimum number of ballasts will be used unless otherwise specified.

**BALLAST DISCONNECT:** Luminaires are pre-wired with integrated locking disconnects.

**MOUNTING:** Provided with wall mounting brackets measuring 5" square by 1" deep. Finished in white to match housing.

**FINISH:** Fixture housing and steel components are finished in baked white enamel applied over a five-stage pretreatment process.

**LAMPS:** Fixtures are provided for use with two or three T8, T5 or T5HO lamps. (Supplied by Others)

**CERTIFICATION:** Luminaires are U. L. Listed, C.S.A. certified and are Union Made in the United States of America. I.B.E.W.

TYPE

## Ordering Guide

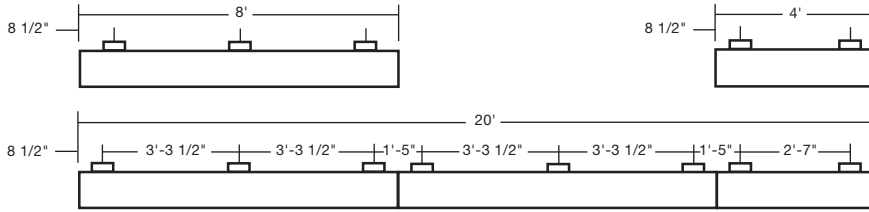
MODEL NO.	DIRECTION	SHIELDING	NUMBER OF LAMPS	LAMPS	MOUNTING	ROW LENGTH	FINISH	VOLTAGE	OPTIONS
<b>PTP</b>	<b>EPAI</b>								
<b>PTP</b>	<b>EPAI =</b> Extended Profile Direct/Indirect Asymmetric In	<b>PBL =</b> Parabolic Louver  <b>SCB =</b> Steel Cross Baffle  <b>PRS =</b> Prismatic Acrylic  <b>WOA =</b> White Opal Acrylic	<b>1U1D =</b> One Up/One Down  <b>1U2D =</b> One Up/Two Down	<b>T8</b> <b>T5</b> <b>T5HO</b>	<b>WM =</b> Wall Mount	<b>2 =</b> 2 ft <b>3 =</b> 3 ft <b>4 =</b> 4 ft <b>5 =</b> 5 ft <b>6 =</b> 6 ft <b>8 =</b> 8 ft  For other, please enter row length (eg. 48 = 48 ft)	<b>W =</b> White <b>CC =</b> Custom Color	<b>UNV =</b> 120/277	<b>PT3 =</b> Parabolic Reflector (for parabolic louver) <b>DIM =</b> Dimming Ballast <b>EPC =</b> Emergency Battery Pack <b>EMC =</b> Emergency Circuit <b>TWC =</b> Two Circuit Wiring <b>OTH =</b> Other options available, see page 355

**Example »** PTP | EPAI | PBL | 1U2D | T8 | WM | 4 | W | UNV

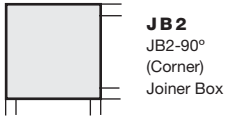
PTP-EPAI direct/indirect asymmetric in with parabolic louver down and open up for two 32 watt T8 lamp down and one 32 watt T8 lamp up wall mounted four foot fixture finished in baked white universal voltage electronic ballast less than 10% total harmonic distortion.



## Linear Sections and Suspension Location

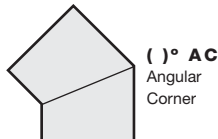
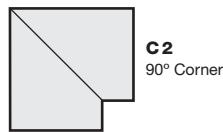


### JOINERS



### CORNERS

Corners and fixture extensions are custom fabricated to precise dimensions. Please indicate the specific requirements on the layout

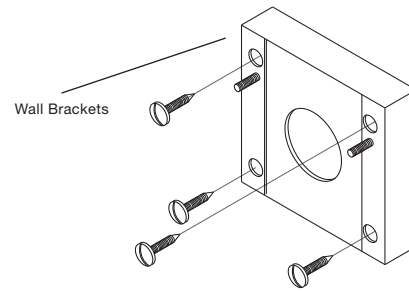
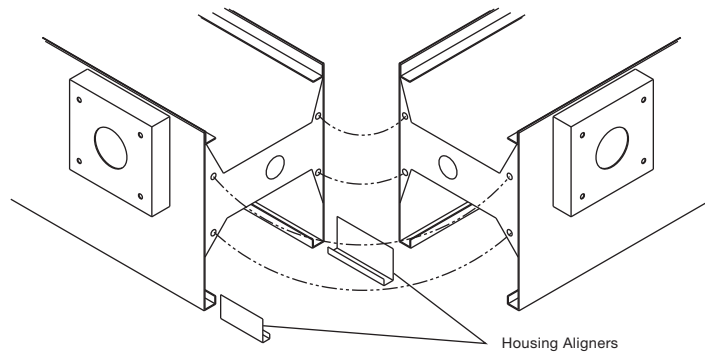


For any angular corner, ( )° must be specified and dimensions must be included on the layout

For any pattern, a layout must accompany the order.

## Installation Preparation

### TYPICAL JOINT DETAIL



## Photometry

### COEFFICIENTS OF UTILIZATION-ZONAL CAVITY METHOD

pfc = 0.20

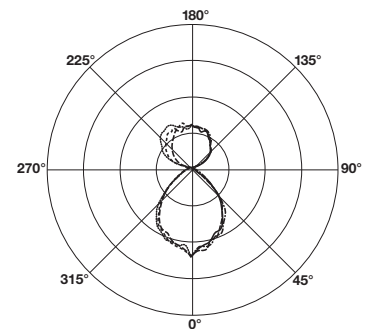
pcc	.8		.7		.5		.3		.1		0	
pw	.7	.5	.3	.1	.7	.5	.3	.1	.5	.3	.1	0
<b>RCR</b>												
0	76	76	76	76	71	71	71	71	61	61	61	40
1	70	68	65	63	66	63	61	60	55	54	52	36
2	65	60	57	53	60	57	53	51	49	47	45	32
3	60	54	49	46	56	51	47	43	44	41	39	28
4	55	48	43	39	51	45	41	37	40	37	34	25
5	51	43	38	34	47	41	36	33	36	32	30	22
6	47	39	34	30	44	37	32	29	33	29	26	19
7	44	35	30	26	41	33	29	25	30	26	23	17
8	40	32	27	23	38	31	26	23	27	23	21	16
9	38	29	24	21	35	28	23	20	25	21	19	14
10	35	27	22	19	33	26	21	18	23	19	17	13

Total Luminaire Optical  
Efficiency = 69.5%



### CANDELA DISTRIBUTION

Vert. Angle	0	22.5	45	67.5	90
0	1707	1707	1707	1707	1707
10	1656	1660	1644	1683	1624
20	1529	1530	1573	1587	1543
30	1359	1364	1346	1391	1434
40	1119	1125	1137	1215	1278
50	753	747	837	906	929
60	159	163	233	337	371
70	27.4	22.1	22.1	34.1	46.4
80	7.36	5.67	5.69	5.09	6.93
90	1.84	1.25	1.38	0.92	2.21
100	103	99.3	85.5	92.6	88.4
110	204	240	254	239	239
120	323	338	405	450	447
130	407	429	502	569	594
140	510	532	578	625	661
150	612	612	665	682	714
160	640	648	660	719	688
170	670	668	675	698	708
180	719	719	719	719	719



— 0  
- - - 45  
- · - · 90

Lamp (3) 32w T8

Lumens: 2900 Per Lamp

Parabolic Louver

Optical Distribution:  
60% Direct: 10% Indirect  
Asymmetric

Day-O-Lite reserves the right to change product specifications without notice for product improvement.