

General Illumination

AD-SAL-1



TYPE _____

FEATURES

The SAL series is a direct version of the family of stack light luminaires. It was designed to illuminate with superior vertical lumen intensity, while in open space applications. The series can be surface mounted or suspended. These luminaires can be mounted individually or in perfectly aligned continuous rows. The SAL provides an excellent solution for lighting and accenting vertical surfaces.

SPECIFICATIONS

Housing: One piece heavy gauge aluminum 6063T5 alloy welded construction forming a 4" x 5" lighted baffle profile. No intermediate end caps feature creates an uninterrupted perfectly aligned continuous row. Finished end caps are welded with no exposed hardware or knockouts.

Reflector: Die formed 20-gauge cold rolled steel minimum 90% reflectivity finished in high gloss baked white enamel.

Diffuser: Standard diffuser is 2 3/8" high steel cross baffle spaced 2" on center finished in baked white enamel.

Electrical: Ballast is electronic, high power factor, thermally protected class P, sound rated A, less than 20% total harmonic distortion. The minimum number of ballast will be used unless specified.

Mounting: Standard installation is an adjustable self-locking aircraft assembly 48" x 3/32" in diameter with 5" canopy. One 16/4 SJT straight 54" cord is supplied with each power feed. Standard pendants are available in 24" lengths. See Accessories for additional mounting.

Finish: Fixture housing and steel components are finished in baked white enamel applied over a five-stage pretreatment process.

Lamps: Fixtures are provided for use with one 32 watt T8 or 54 watt T5 HO lamp. (Supplied by Others).

Certification: Luminaires are U. L. Listed, C. S. A. certified and are Union Made in the United States of America. I. B. E. W.

ORDERING GUIDE

SELECT MODEL	DIRECTION	DIFFUSER	LAMPS	MOUNTING	LENGTH	FINISH	VOLTAGE	OPTIONS
AD SAL 1	D							
AD SAL 1	D= Direct	SCB= Steel Cross Baffle	132 T8 154 T5 HO	AC= Cable PD= Pendant S= Surface WM= Wall Mounted	4= Ft 8= Ft	W= White CC= Custom Color	120v 277v	See Options Below

Example: **AD SAL 1 -D-SCB-154T5HO-AC-4-W-120V**

AD SAL 1 aluminum construction direct with cross blade baffles for one 54 watt T5 HO lamp including two 48 inch aircraft cables and power feed four foot fixture in baked white enamel 120v electronic ballast less than 20% total harmonic distortion.

OPTIONS

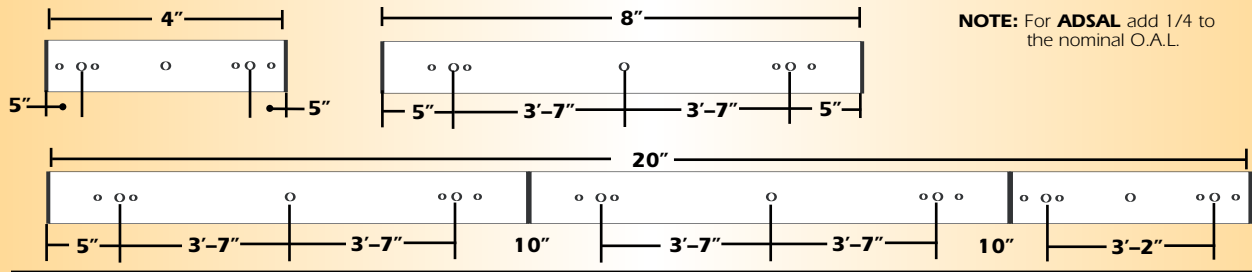
- E10=** Electronic ballast, high power factor, thermally protected class P, sound rated A, <10% total harmonic distortion
- DIM=** Dimming Ballast
- EPC=** Emergency Battery Pack
- ASD=** Aisle Shield
- EMC=** Emergency Circuit
- OTH=** See Accessory Section for other options available

General Illumination

AD-SAL-1

LINEAR SECTIONS AND SUSPENSION LOCATION

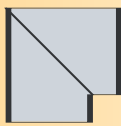
WALL MOUNTING



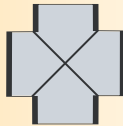
NOTE: For **ADSAL** add 1/4 to the nominal O.A.L.

CORNERS

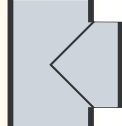
Corners and fixture extensions are custom fabricated to precise dimensions. Please indicate the specific requirements on the layout.



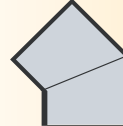
C2
90° Corner



C4
4-Way Corner (Cross)



C3
3-Way Corner (Tee)



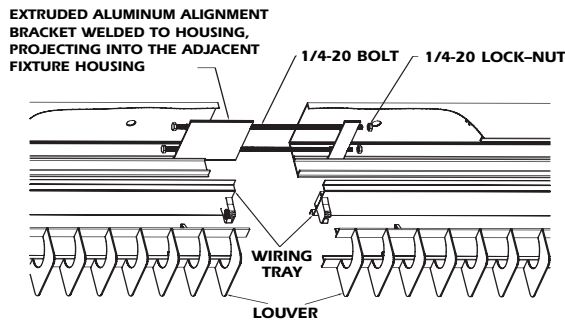
()° AC
Angular Corner

For any angular corner, ()° must be specified and dimensions must be included on the layout

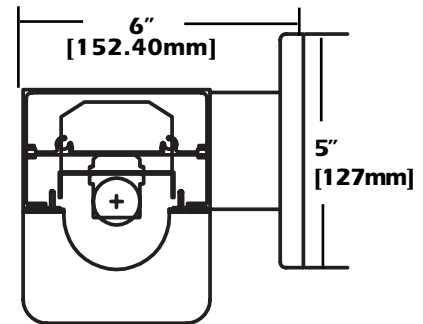
For any pattern, a layout must accompany the order.

INSTALLATION PREPARATION

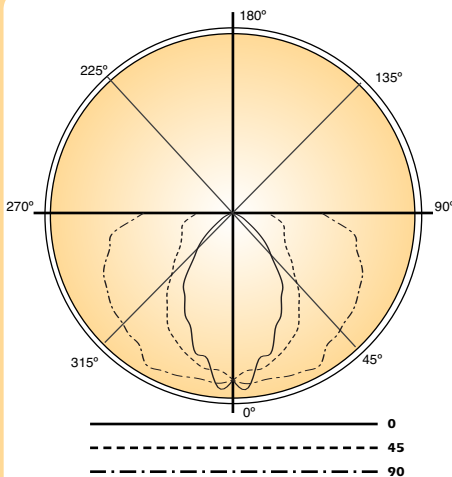
ADSAL 1 TYPICAL JOINT DETAIL



WALL INSTALLATION



PHOTOMETRY



Candela Distribution:

Vert. Angle	0	22.5	45	67.5	90
0	532	532	532	532	532
5	558	524	503	531	545
10	472	505	504	519	540
15	463	457	487	516	542
20	393	422	467	518	549
25	361	393	442	516	552
30	308	342	416	494	557
35	275	292	366	463	518
40	204	243	327	443	511
45	161	194	277	410	498
50	121	149	246	400	493
55	79.8	108	214	371	482
60	51.8	70.5	192	370	467
65	37.2	56.1	181	360	456
70	24.3	50.6	173	336	431
75	14.6	40.8	169	329	407
80	10.9	36.6	156	306	394
85	5.75	30.3	134	268	334
90	3.35	21.6	114	234	286

Optical Distribution:
100% Direct

LAMP (1) 32W T8
LUMENS: 2900 PER LAMP

Coefficients of Utilization - Zonal Cavity Method:

pfc = 0.20

	.8	.7	.5	.3	.1	0
0	68	68	68	66	66	66
1	60	56	53	50	58	54
2	53	48	43	39	52	47
3	48	41	36	32	47	41
4	44	37	31	27	43	36
5	41	33	27	23	39	32
6	37	29	24	20	36	29
7	35	27	21	17	34	26
8	32	24	19	16	31	24
9	30	22	17	14	29	22
10	28	21	16	13	28	20



Total Luminaire Optical
Efficiency = 58.5%

SCW-2