

## Features

The PTP EP architectural linear series is an extraordinarily efficient steel luminaire. The PTP EP WM is designed with direct and indirect distribution for wall mounting. This series can be mounted individually, in perfectly aligned continuous rows or in any of combination of patterns. This series is available with direct and indirect lamp control and almost limitless variety of down light shielding. The PTP series is an ideal solution for open spaces and provides maximum design versatility.

## Specifications

**HOUSING:** Die formed 20 gauge cold rolled steel welded construction, top and bottom of housing have a 3/8" regression for structural rigidity and conformity. Joiner ends are notched below the lamps for ease of installation and continuous baffle appearance. Finished end caps are laser cut 18 gauge cold rolled steel, with no exposed hardware or knockouts. Housing aligners provide precision alignment for continuous rows.

**REFLECTOR:** Both direct and indirect reflectors are die formed 20-gauge cold rolled steel minimum 90% reflectivity finished in high gloss baked white enamel.

**SHIELDING:** Parabolic louver is semi-specular low iridescence aluminum 1 1/2" x 2" O.C. with 24 cells per 4' section for direct lighting element. Indirect is open.

**ELECTRICAL:** Ballast is electronic, universal voltage 120/277, high power factor, thermally protected, sound rated A with less than 10% total harmonic distortion. Luminaires in rows are pre-wired with quick connect through wiring. The minimum number of ballasts will be used unless otherwise specified.

**BALLAST DISCONNECT:** Luminaires are pre-wired with integrated locking disconnects.

**MOUNTING:** Provided with wall mounting brackets measuring 5" square by 1" deep. Finished in white to match housing.

**FINISH:** Fixture housing and steel components are finished in baked white enamel applied over a five-stage pretreatment process.

**LAMPS:** Fixtures are provided for use with two to four T8, T5 or T5HO lamps. (Supplied by Others)

**CERTIFICATION:** Luminaires are U. L. Listed, C.S.A. certified and are Union Made in the United States of America. I.B.E.W.

TYPE

## Ordering Guide

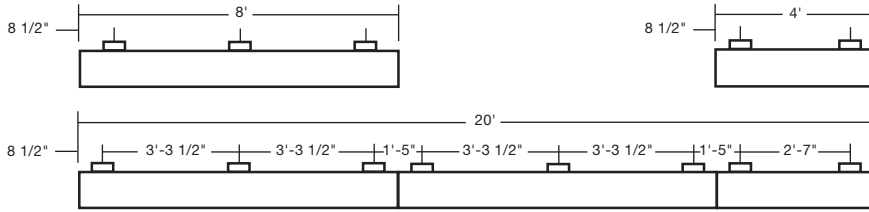
MODEL NO.	DIRECTION	SHIELDING	NUMBER OF LAMPS	LAMPS	MOUNTING	ROW LENGTH	FINISH	VOLTAGE	OPTIONS
<b>PTP</b>	<b>EP</b>								
<b>PTP</b>	<b>EP =</b> Extended Profile Direct/Indirect	<b>PBL =</b> Parabolic Louver <b>SCB =</b> Steel Cross Baffle <b>PRS =</b> Prismatic Acrylic <b>WOA =</b> White Opal Acrylic	<b>1U1D =</b> One Up/One Down <b>1U2D =</b> One Up/Two Down <b>*2U1D =</b> Two Up/One Down <b>*2U2D =</b> Two Up/Two Down *Symmetric Indirect Only	<b>T8</b> <b>T5</b> <b>T5HO</b>	<b>WM =</b> Wall Mount	<b>2 =</b> 2 ft <b>3 =</b> 3 ft <b>4 =</b> 4 ft <b>5 =</b> 5 ft <b>6 =</b> 6 ft <b>8 =</b> 8 ft  For other, please enter row length (eg. 48 = 48 ft)	<b>W =</b> White <b>CC =</b> Custom Color	<b>UNV =</b> 120/277	<b>PT3 =</b> Parabolic Reflector (for parabolic louver) <b>DIM =</b> Dimming Ballast <b>EPC =</b> Emergency Battery Pack <b>EMC =</b> Emergency Circuit <b>TWC =</b> Two Circuit Wiring <b>OTH =</b> Other options available, see page 355

**Example »** PTP | EP | PBL | 2U2D | T8 | WM | 4 | W | UNV

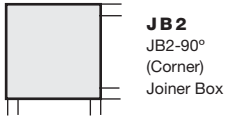
PTP EP direct/indirect with parabolic louver down and open up for two 32 watt T8 lamp down and two 32 watt T8 lamp up wall mounted four foot fixture finished in baked white universal voltage electronic ballast less than 10% total harmonic distortion.



## Linear Sections and Suspension Location

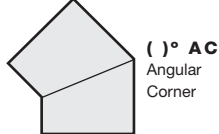
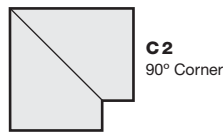


### JOINERS



### CORNERS

Corners and fixture extensions are custom fabricated to precise dimensions. Please indicate the specific requirements on the layout

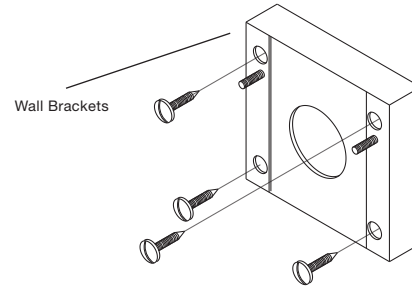
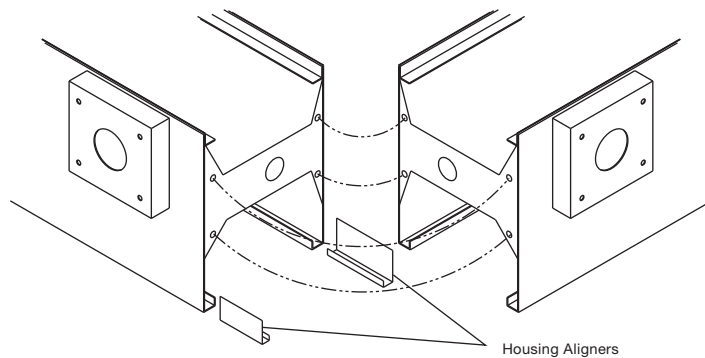


For any angular corner, ( )° must be specified and dimensions must be included on the layout

For any pattern, a layout must accompany the order.

## Installation Preparation

### TYPICAL JOINT DETAIL



## Photometry

### COEFFICIENTS OF UTILIZATION-ZONAL CAVITY METHOD

pfc = 0.20

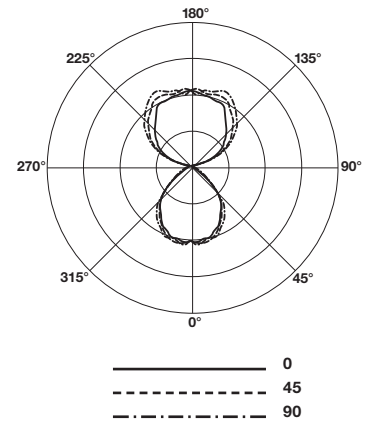
pcc	.8				.7				.5				.3				.1				0
pw	.7	.5	.3	.1	.7	.5	.3	.1	.5	.3	.1	.5	.3	.1	.5	.3	.1	.5	.3	.1	0
<b>RCR</b>																					
0	76	76	76	76	70	70	70	70	57	57	57	46	46	46	35	35	35	30			
1	70	68	65	63	64	62	60	58	51	50	48	41	40	40	31	31	31	27			
2	65	60	56	53	59	55	52	49	46	43	41	37	36	34	27	27	27	24			
3	59	53	48	45	54	49	45	41	41	38	35	33	31	30	24	24	24	21			
4	55	47	42	38	50	44	39	36	37	33	31	30	28	26	21	21	21	18			
5	50	42	37	33	46	39	34	31	33	29	27	27	25	23	18	18	18	16			
6	46	38	33	29	42	35	30	27	30	26	23	25	22	20	16	16	16	15			
7	43	34	29	25	39	32	27	24	27	23	21	23	20	18	14	14	14	13			
8	40	31	26	22	36	29	24	21	25	21	18	21	18	16	13	13	13	12			
9	37	29	23	20	34	27	22	19	23	19	17	19	16	14	12	12	12	11			
10	35	26	21	18	32	24	20	17	21	17	15	18	15	13	11	11	11	10			

Total Luminaire Optical  
Efficiency = 72.5%



### CANDELA DISTRIBUTION

Vert. Angle	0	22.5	45	67.5	90
0	1721	1721	1721	1721	1721
10	1661	1615	1645	1665	1671
20	1505	1543	1556	1542	1512
30	1348	1336	1348	1402	1417
40	1113	1114	1146	1215	1313
50	745	761	831	919	953
60	165	171	243	343	381
70	28.3	21.8	23.4	35.2	44.0
80	8.22	5.68	5.99	6.63	6.82
90	3.50	2.58	3.92	3.33	3.22
100	222	218	198	208	209
110	455	526	527	501	491
120	670	768	834	876	882
130	875	983	1059	1149	1151
140	1067	1156	1284	1355	1395
150	1244	1311	1439	1559	1553
160	1377	1397	1454	1544	1553
170	1403	1449	1456	1447	1428
180	1509	1509	1509	1509	1509



Lamp (4) 32w T8

Lumens: 2900 Per Lamp

Parabolic Louver

Optical Distribution:  
40% Direct: 60% Indirect

Day-O-Lite reserves the right to change product specifications without notice for product improvement.