

Features

The 35S10 DI series is a direct/indirect version of the family of oval steel luminaires. The 35S10 DI is designed with direct/indirect distribution for suspended mounting. This series can be mounted individually, in perfectly aligned continuous rows, or in any of combination of patterns. This series is available with a variety of down light shielding. The 35S10 DI series is an ideal solution for larger spaces with high ceilings where both indirect distribution and direct task lighting is desirable.

Specifications

HOUSING: Two piece die formed 20-gauge cold rolled steel welded construction forming a 3 1/2" x 10" oval profile. Finished end caps are laser cut 18-gauge cold rolled steel, with no exposed hardware or knockouts. Adjustable mounting brackets provide precision alignment of continuous rows.

REFLECTOR: Die formed 20-gauge cold rolled steel minimum 90% reflectivity finished in high gloss baked white enamel.

SHIELDING: Parabolic louver is semi-specular low iridescence aluminum 1 1/4" x 4" O.C. with 12 cells per 4' section. Four spring wire clips secure snap in baffle including two tethers.

ELECTRICAL: Ballast is electronic, universal voltage 120/277, high power factor, thermally protected, sound rated A with less than 10% total harmonic distortion. Luminaires in rows are pre-wired with quick connect through wiring. The minimum number of ballasts will be used unless otherwise specified.

BALLAST DISCONNECT: Luminaires are pre-wired with integrated locking disconnects.

MOUNTING: Standard installation is an adjustable self-locking aircraft cable assembly 48" x 3/32" in diameter with 5" canopy. One 16/4 SJT straight 54" cord is supplied with each power feed. Standard pendants are available in 24" lengths. See Mounting Options pages for additional mounting.

FINISH: Fixture housing and steel components are finished in baked white enamel applied over a five-stage pretreatment process.

LAMPS: Fixtures are provided for use with two or three T8, T5 or T5HO lamps. (Supplied by Others)

CERTIFICATION: Luminaires are U. L. Listed, C.S.A. certified and are Union Made in the United States of America. I.B.E.W.

TYPE

Ordering Guide

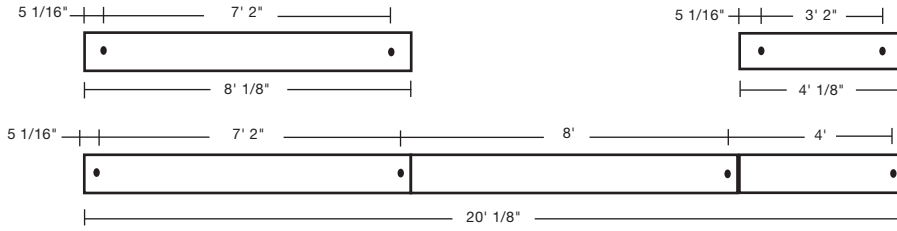
MODEL NO.	DIRECTION	SHIELDING	NUMBER OF LAMPS	LAMPS	MOUNTING	ROW LENGTH	FINISH	VOLTAGE	OPTIONS
35S10	DI								
35S10	DI = Direct/Indirect DI10% = Direct / 10% Indirect	PBL = Parabolic Louver SCB = Steel Cross Baffle PRS = Prismatic Acrylic WOA = White Opal Acrylic	1 2 3	T8 T5 T5HO	AC = Cable PD = Pendant Other mounting options available, see pgs. 357-359	4 = 4 ft 8 = 8 ft For other, please enter row length (eg. 48 = 48 ft)	W = White CC = Custom Color	UNV = 120/277	DIM = Dimming Ballast EPC = Emergency Battery Pack EMC = Emergency Circuit TCW = Two Circuit Wiring OTH = Other options available, see page 355

Example » 35S10 | DI | PBL | 2T8 | AC | 4 | W | UNV

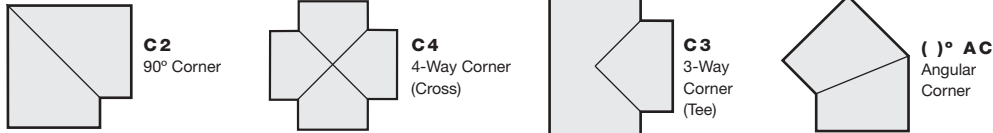
35S10 direct/indirect with parabolic louver for two 32 watt T8 lamps with two 48 inch aircraft cables and power feed four foot fixture finished in baked white enamel universal voltage electronic ballast less than 10% total harmonic distortion.



Linear Sections and Suspension Location



CORNERS Corners and fixture extensions are custom fabricated to precise dimensions. Please indicate the specific requirements on the layout.

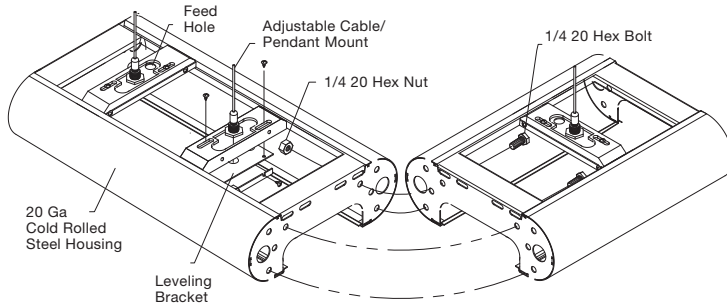


For any angular corner, ()° must be specified and dimensions must be included on the layout.

For any pattern, a layout must accompany the order.

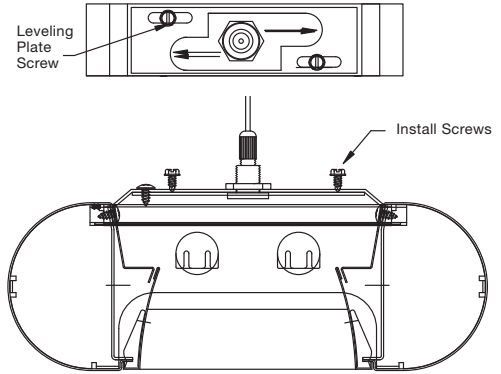
Installation Preparation

TYPICAL JOINT DETAIL
Joining hardware provided by Day-O-Lite



MOUNTING BAR INSTALLATION

Slide side-to-side until level and fasten screws securely



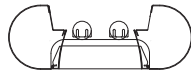
Photometry

COEFFICIENTS OF UTILIZATION-ZONAL CAVITY METHOD

pfc = 0.20

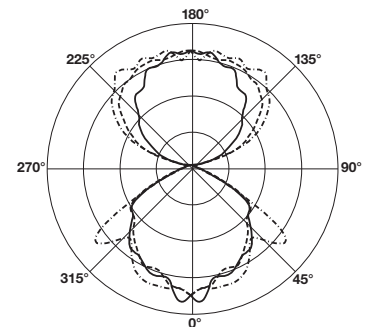
pcc	.8			.7			.5			.3			.1			0		
pw	.7	.5	.3	.1	.7	.5	.3	.1	.5	.3	.1	.5	.3	.1	.5	.3	.1	0
RCR																		
0	96	96	96	96	88	88	88	88	73	73	73	59	59	59	46	46	46	40
1	88	85	81	78	81	78	75	73	65	63	61	53	52	51	40	40	40	36
2	81	74	69	65	74	69	64	60	57	54	52	47	45	43	35	35	35	31
3	74	66	60	55	68	61	55	51	51	47	44	42	39	37	30	30	30	26
4	68	58	52	46	62	54	48	43	45	41	37	38	34	32	25	25	25	23
5	62	52	45	40	57	48	42	37	41	36	32	34	30	28	22	22	22	20
6	57	47	39	34	52	43	37	32	37	32	28	30	27	24	19	19	19	18
7	53	42	35	30	48	39	33	28	33	28	25	28	24	21	17	17	17	15
8	49	38	31	26	45	35	29	25	30	25	22	25	22	19	15	15	15	14
9	45	35	28	23	42	32	26	22	27	23	20	23	20	17	14	14	14	12
10	42	32	25	21	39	29	24	20	25	21	18	21	18	15	12	12	12	11

Total Luminaire Optical Efficiency = 90.2%



CANDELA DISTRIBUTION

Vert. Angle	0	22.5	45	67.5	90
0	946	946	946	946	946
10	905	914	910	927	938
20	845	870	898	898	900
30	774	800	799	814	812
40	648	681	674	652	672
50	515	535	568	724	810
60	307	317	395	379	345
70	32.2	40.0	52.6	26.6	19.9
80	6.05	5.50	4.28	3.36	2.55
90	3.67	3.80	4.08	4.11	3.61
100	121	145	108	90.6	82.8
110	237	313	360	393	373
120	372	460	518	583	604
130	490	556	659	700	732
140	599	646	739	818	822
150	688	730	777	818	848
160	748	759	785	819	827
170	774	797	788	807	790
180	790	790	790	790	790



— 0
- - - 45
- · - · 90

Lamp (2) 32w T8

Lumens: 2900 Per Lamp

Parabolic Louver

Optical Distribution:
40% Direct: 60% Indirect

Day-O-Lite reserves the right to change product specifications without notice for product improvement.