

Features

The NAS-PI is one variation of a complete group of Recessed Direct luminaires featuring a centered metal perforated lamp shield with an acrylic overlay to obscure direct lamp image. The centered perforated lamp shield is positioned above the ceiling plane. Lamp output is distributed over a computer designed reflector system to provide soft glare-free illumination. The NAS-PI series can be used in any installation where high performance and comfortable lighting are required.

Specifications

HOUSING: Die formed 20-gauge cold rolled steel finished in baked white enamel. Housing has an access plate on top with two 7/8" diameter knockouts.

SHIELDING: Die formed 20 gauge perforated steel lamp shield has a 58% opening with white acrylic .020 translucent overlay. The hinged lamp shield is removable for easy lamp access.

REFLECTOR: Die formed .020 steel 90% minimum reflectivity finished in low glare matte baked white enamel.

ELECTRICAL: Ballast is electronic, universal voltage 120/277, high power factor, thermally protected, sound rated A with less than 10% total harmonic distortion. The minimum number of ballasts will be used unless otherwise specified.

BALLAST DISCONNECT: Luminaires are pre-wired with integrated locking disconnects.

MOUNTING: Standard installation is 1 x 2 or 1 x 4 exposed inverted T-bar ceiling. Optional trims are also available for installations in miniature grid, drywall or plaster ceiling. For mounting detail information consult factory. Four support brackets are included with each fixture.

FINISH: Fixture housing and steel components are finished in baked white enamel applied over a five-stage pretreatment process.

LAMPS: Fixtures are provided for use with T8, T5, T5HO or compact fluorescent lamps. (Supplied by Others)

CERTIFICATION: Luminaires are U.L. Listed, C.S.A. certified and are Union Made in the United States of America I.B.E.W.

TYPE

Ordering Guide

MODEL NO.	NUMBER OF LAMPS	LAMPS	SIZE	MOUNTING	FINISH	VOLTAGE	OPTIONS
NAS-PI							
NAS-PI	1	40-CF	12 = 1 x 2	G = Standard Lay-in Grid	W = White	UNV = 120/277	DIM = Dimming Ballast EPC = Emergency Battery Pack EMC = Emergency Circuit TCW = Two Circuit Wiring ARS = Air return system FWH = Flexible wiring harness OTH = Other options available, see page 355
	2	50-CF	14 = 1 x 4	MG = Miniature Grid F = Flanged	CC = Custom Color		

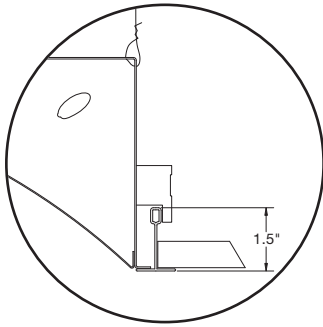
Example » NAS-PI | 240CF | 12 | G | W | UNV

New Age Series with perforated lamp shield two 40 watt compact fluorescent 1 x 2 grid fixture finished in baked white enamel universal voltage electronic ballast less than 10% harmonics.



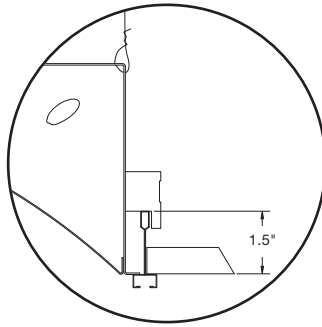
Linear Sections and Suspension Location

MOUNTING "G"



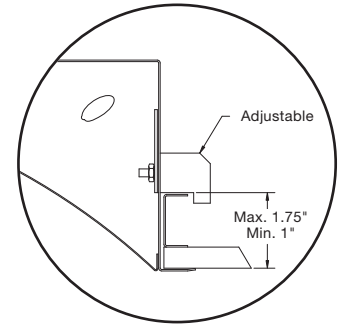
Std. 1 1/2" Inverted "T" Bar

MOUNTING "MG"



1 1/2" Miniature Grid Ceiling

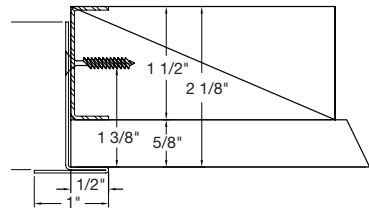
MOUNTING "F"



Plaster Or Dry Wall Ceiling
(Optional)

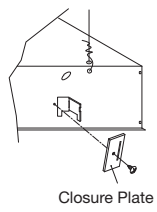
Installation Preparation

Plaster Frame Detail (All 4 Sides)



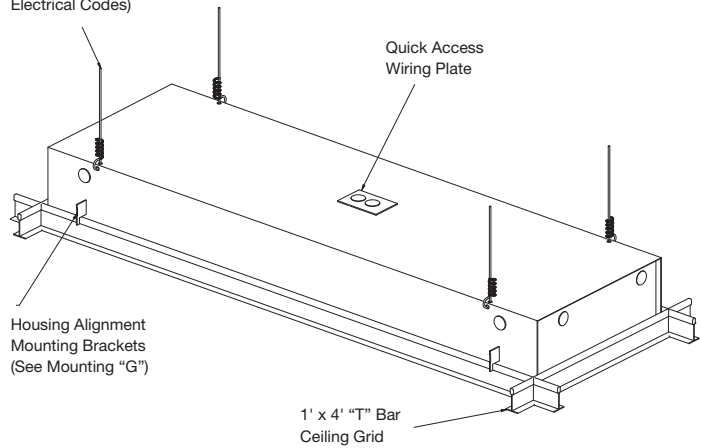
1' x 4' Plaster Frame Kit
Dry Wall Ceiling Aperture
13" x 49"

Side Elevation Detail
(See Mounting "G")



Closure Plate

Wire Ties Or Chains
(By Others As Required
By National And Local
Electrical Codes)



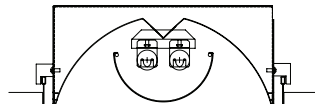
Photometry

COEFFICIENTS OF UTILIZATION-ZONAL CAVITY METHOD

pf_c = 0.20

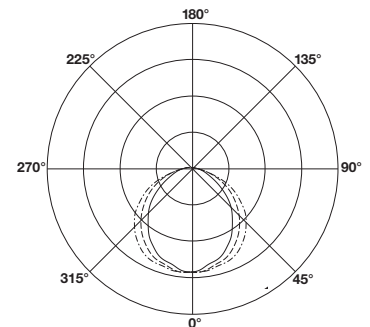
pcc	.8				.7				.5				.3				.1				0														
pw	.7	.5	.3	.1	.7	.5	.3	.1	.5	.3	.1	.5	.3	.1	.5	.3	.1	.5	.3	.1	.5	.3	.1	.5	.3	.1	.5	.3	.1	.5	.3	.1	.5	.3	.1
RCR																																			
0	69	69	69	69	67	67	67	67	64	64	64	61	61	61	59	59	59	58	58	58	58	58	58	58	58	58	58	58	58	58	58	58	58	58	58
1	63	61	58	56	62	59	57	55	57	55	54	55	53	52	53	51	50	49	49	49	49	49	49	49	49	49	49	49	49	49	49	49	49	49	49
2	58	53	49	46	56	52	48	46	50	47	44	48	46	43	46	44	42	41	41	41	41	41	41	41	41	41	41	41	41	41	41	41	41	41	41
3	53	47	42	38	51	46	42	38	44	40	37	42	39	37	41	38	36	35	35	35	35	35	35	35	35	35	35	35	35	35	35	35	35	35	35
4	48	41	36	33	47	41	36	32	39	35	32	38	34	31	37	34	31	30	30	30	30	30	30	30	30	30	30	30	30	30	30	30	30	30	30
5	44	37	32	28	43	36	31	28	35	31	28	34	30	27	33	30	27	26	26	26	26	26	26	26	26	26	26	26	26	26	26	26	26	26	26
6	41	33	28	24	40	33	28	24	32	27	24	31	27	24	30	26	24	23	23	23	23	23	23	23	23	23	23	23	23	23	23	23	23	23	23
7	38	30	25	22	37	30	25	21	29	24	21	28	24	21	27	24	21	20	20	20	20	20	20	20	20	20	20	20	20	20	20	20	20	20	20
8	35	27	23	19	34	27	22	19	26	22	19	26	22	19	25	21	19	18	18	18	18	18	18	18	18	18	18	18	18	18	18	18	18	18	18
9	33	25	20	17	32	25	20	17	24	20	17	24	20	17	23	19	17	16	16	16	16	16	16	16	16	16	16	16	16	16	16	16	16	16	16
10	31	23	19	16	30	23	18	16	22	18	15	22	18	15	21	18	15	14	14	14	14	14	14	14	14	14	14	14	14	14	14	14	14	14	14

Total Luminaire Optical
Efficiency = 58.2%



CANDELA DISTRIBUTION

Vert. Angle	0	22.5	45	67.5	90
0	1252	1252	1252	1252	1252
5	1233	1221	1257	1242	1254
10	1181	1216	1231	1242	1249
15	1153	1179	1194	1219	1223
20	1110	1132	1170	1197	1213
25	1037	1070	1123	1175	1191
30	964	1008	1059	1122	1147
35	867	919	989	1060	1086
40	774	825	908	999	1018
45	685	719	820	911	936
50	580	621	722	823	852
55	463	521	624	713	737
60	356	408	523	597	626
65	260	302	414	487	502
70	193	201	304	345	346
75	139	116	192	196	184
80	83.0	57.0	82.0	86.0	86.6
85	33.0	23.8	26.5	34.3	37.4
90	5.19	4.29	4.32	4.09	4.11



Lamp (2) 32w T8

Lumens: 2900 Per Lamp

Optical Distribution:
100% Direct

Day-O-Lite reserves the right to change product specifications without notice for product improvement.