

Features

The ECLIPSE-1 is an exciting new product with many options available to create elegant decorative lighting for virtually any application. The ECLIPSE-1's contemporary style and lamping versatility makes it an ideal luminaire for office, lobby, conference room and healthcare applications.

Specifications

HOUSING: One piece heavy gauge extruded aluminum 6063T5 alloy, welded construction forming a 3" x 12" elliptical profile. Aluminum end caps are welded with no exposed hardware or knockouts.

REFLECTOR: Asymmetric, die-formed specular anodized aluminum.

ELECTRICAL: Ballast is electronic, universal voltage 120/277, high power factor, thermally protected, sound rated A with less than 10% total harmonic distortion. Luminaires in rows are pre-wired with quick connect through wiring. The minimum number of ballasts will be used unless otherwise specified.

BALLAST DISCONNECT: Luminaires are pre-wired with integrated locking disconnects.

MOUNTING: Standard installation is an adjustable self locking aircraft assembly 48" x 3/32" with a 5" canopy. One 16/4 SJT straight 54" cord is provided per power feed location. Standard pendants are available in 24" lengths. See Mounting Options pages for additional mounting.

FINISH: Fixture housing and steel components are finished in baked white enamel applied over a five-stage pretreatment process.

LAMPS: Fixtures are provided for use with T5 and T5HO lamps for indirect and MR-16, MR-16-LED, MR11 and MR-11-LED for direct accent lighting. Standard direct lamps are spaced 12" O.C. Advise if other. (Supplied by Others) (Note: Please provide voltage for MR lamps)

CERTIFICATION: Luminaires are U.L. Listed, C.S.A. certified and are Union Made in the United States of America. I.B.E.W.

TYPE

Ordering Guide

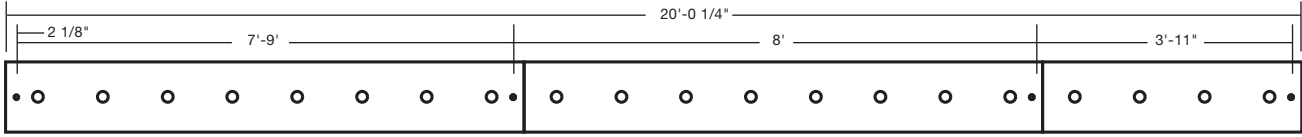
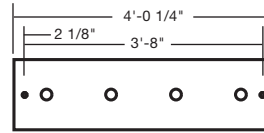
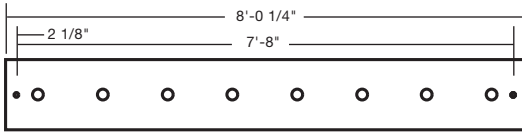
MODEL NO.	DIRECTION	NUMBER OF LAMPS	LAMPS UP	LAMPS DOWN	MOUNTING	ROW LENGTH	FINISH	VOLTAGE	OPTIONS
ECL-1									
ECL-1	DI = Direct/ Indirect D = Direct I = Indirect	2	T5 T5HO	MR16 MR16-LED MR11 MR11-LED	AC = Cable PD = Pendant Other mounting options available, see pgs. 357-359	4 = 4 ft 8 = 8 ft For other, please enter row length (eg. 48 = 48 ft)	W = White CC = Custom Color	UNV = 120/277	DIM = Dimming Ballast EPC = Emergency Battery Pack EMC = Emergency Circuit TCW = Two Circuit Wiring SOC = Sensor Options OTH = Other options available, see page 355

Example » ECL1 | DI | 2 | T5HO | MR16 | AC | 8 | W | UNV

ECLIPSE-1 direct indirect with four 54 watt T5HO lamps up and MR16 lamps down, aircraft cable mounted 8' fixture, finished in baked white enamel, universal voltage electronic ballast less than 10% total harmonic distortion for T5HO and 120 volt ballast for MR16 lamps.

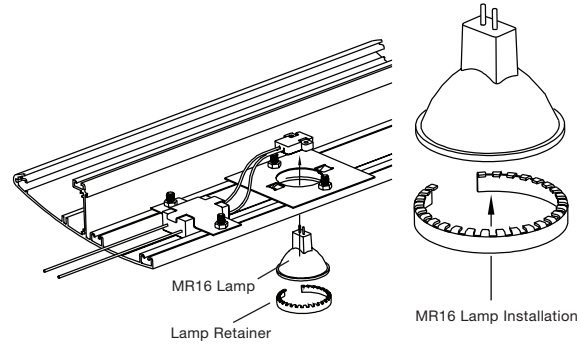
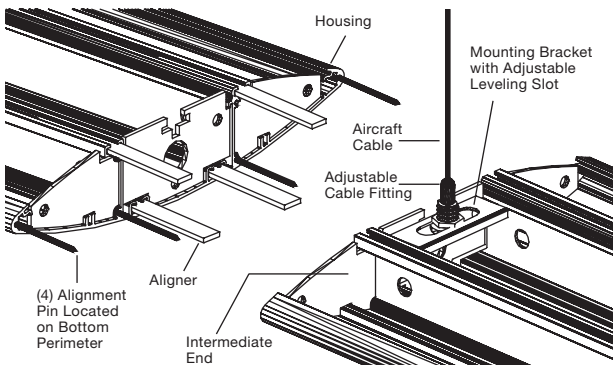


Linear Sections and Suspension Location



Installation Preparation

JOINT DETAIL



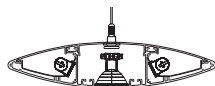
Photometry

COEFFICIENTS OF UTILIZATION-ZONAL CAVITY METHOD

pf_c = 0.20

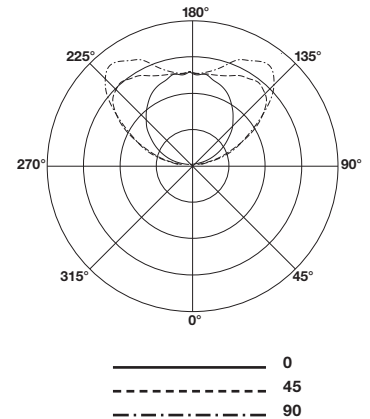
pcc	.8				.7				.5				.3				.1				0																										
pw	.7	.5	.3	.1	.7	.5	.3	.1	.5	.3	.1	.5	.3	.1	.5	.3	.1	.5	.3	.1	.5	.3	.1	.5	.3	.1	.5	.3	.1	.5	.3	.1	.5	.3	.1	.5	.3	.1									
RCR																																															
0	70	70	70	70	59	59	59	59	40	40	40	23	23	23	7	7	7	0	0	0	0	0	0	0	0	0	0	0	0	0	0	0	0	0	0	0											
1	63	60	58	55	54	52	49	48	35	34	33	20	19	19	6	6	6	0	0	0	0	0	0	0	0	0	0	0	0	0	0	0	0	0	0	0	0	0	0								
2	57	52	48	45	49	45	42	39	31	29	27	17	16	16	5	5	5	0	0	0	0	0	0	0	0	0	0	0	0	0	0	0	0	0	0	0	0	0	0	0							
3	52	46	41	37	44	39	35	32	27	24	22	15	14	13	5	4	4	0	0	0	0	0	0	0	0	0	0	0	0	0	0	0	0	0	0	0	0	0	0	0	0						
4	48	40	35	31	40	35	30	27	24	21	19	13	12	11	4	4	3	0	0	0	0	0	0	0	0	0	0	0	0	0	0	0	0	0	0	0	0	0	0	0	0	0					
5	44	36	30	26	37	31	26	23	21	18	16	12	10	9	3	3	3	0	0	0	0	0	0	0	0	0	0	0	0	0	0	0	0	0	0	0	0	0	0	0	0	0					
6	40	32	26	22	34	27	23	19	19	16	14	11	9	8	3	3	2	0	0	0	0	0	0	0	0	0	0	0	0	0	0	0	0	0	0	0	0	0	0	0	0	0	0				
7	37	28	23	19	31	24	20	17	17	14	12	9	8	7	3	2	2	0	0	0	0	0	0	0	0	0	0	0	0	0	0	0	0	0	0	0	0	0	0	0	0	0	0	0			
8	34	25	20	17	29	22	18	14	15	12	10	8	7	6	2	2	2	0	0	0	0	0	0	0	0	0	0	0	0	0	0	0	0	0	0	0	0	0	0	0	0	0	0	0	0		
9	31	23	18	15	26	20	16	13	14	11	9	8	6	5	2	2	1	0	0	0	0	0	0	0	0	0	0	0	0	0	0	0	0	0	0	0	0	0	0	0	0	0	0	0	0	0	
10	29	21	16	13	25	18	14	11	12	10	8	7	5	4	2	1	1	0	0	0	0	0	0	0	0	0	0	0	0	0	0	0	0	0	0	0	0	0	0	0	0	0	0	0	0	0	0

Total Luminaire Optical Efficiency = 74.0%



CANDELA DISTRIBUTION

Vert. Angle	0	22.5	45	67.5	90
90	13.1	52.5	92.8	122	133
95	63.7	114	154	176	182
100	145	224	264	283	290
105	223	359	380	418	421
110	298	489	512	534	541
115	374	596	676	658	656
120	447	687	838	818	804
125	520	750	968	996	979
130	598	804	1073	1153	1154
135	659	836	1116	1252	1275
140	724	858	1141	1298	1350
145	783	868	1112	1275	1334
150	841	892	1089	1230	1275
155	884	915	1040	1166	1227
160	914	942	1005	1085	1120
165	938	954	986	1016	1039
170	975	960	977	976	994
175	955	957	966	955	971
180	987	987	987	987	987



Lamp (2) 28w T5

Lumens: 2800 Per Lamp

Optical Distribution:
100% Indirect with
Accent Direct Lighting

Day-O-Lite reserves the right to change product specifications without notice for product improvement.