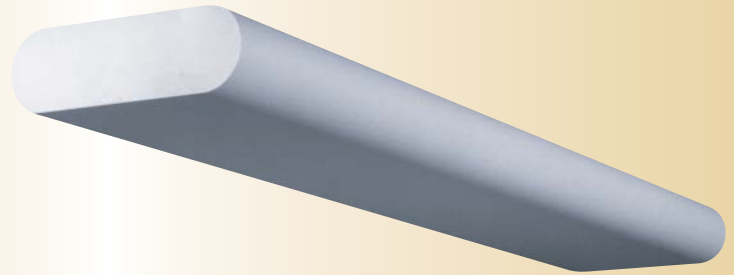
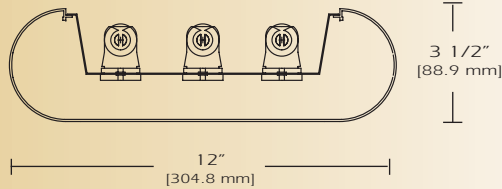


# Ovals

AD3512-I



**TYPE** \_\_\_\_\_

**FEATURES**

The AD3512 oval aluminum luminaire is distinguished by its low profile and contemporary design. This high quality luminaire is suitable for most lighting systems and can be mounted to suit any project. The highly efficient design produces a uniform indirect light distribution. The AD3512 is ideal where style quality and performance applications apply.

**SPECIFICATIONS**

**Housing:** One piece heavy gauge extruded aluminum 6063T5 alloy welded construction forming a 3 1/2" x 12" oval profile. Finished end caps are welded to housing with no exposed hardware or knockouts.

**Reflector:** Die formed 20-gauge cold rolled steel minimum 90% reflectivity finished in high gloss baked white enamel.

**Electrical:** Ballast is electronic, high power factor, thermally protected class P, sound rated A, with less than 20% total harmonic distortion. The minimum number of ballasts will be used unless otherwise specified.

**Mounting:** Standard installation is an adjustable self-locking aircraft assembly 48" x 3/32" in diameter with 5" canopy. One 16/4 SJT straight 54" cord is supplied with each power feed. Standard pendants are available in 24" lengths. See Accessories for additional mounting.

**Finish:** Fixture housing and steel components are finished in baked white enamel applied over a five-stage pretreatment process.

**Lamps:** Fixtures are provided for use with two, three or four 32 watt T8 lamps or 54 watt T5 HO lamps. (Supplied by Others)

**Certification:** Luminaires are U. L. Listed, C. S. A. certified and are Union Made in the United States of America I.B.E.W.

**ORDERING GUIDE**

MODEL NO.	DIRECTION	LAMPS	MOUNTING	LENGTH	FINISH	VOLTAGE	OPTIONS
<b>AD3512</b>	<b>I</b>	<b>232T8</b> <b>332T8</b> <b>432T8</b> <b>254T5 HO</b> <b>354T5 HO</b> <b>454T5 HO</b> <b>O=Other Specify</b>	<b>AC= Cable</b> <b>PD= Pendant</b>    <b>See Accessories</b>	<b>4= 4 ft</b> <b>8= 8 ft</b>    <b>for other, please enter row length (eg. 48=48ft)</b>	<b>W= White</b> <b>CC= Custom Color</b>	<b>120v</b> <b>277v</b>	<b>See Options Below</b>

Example: **AD-3512-I-232T8-AC-4-W-120V**

Example: AD-3512 indirect with two 32 watt T8 lamps including two 48 inch aircraft cables and power feed four foot fixture finished in baked white enamel 120v electronic ballast less than 20% total harmonic distortion.

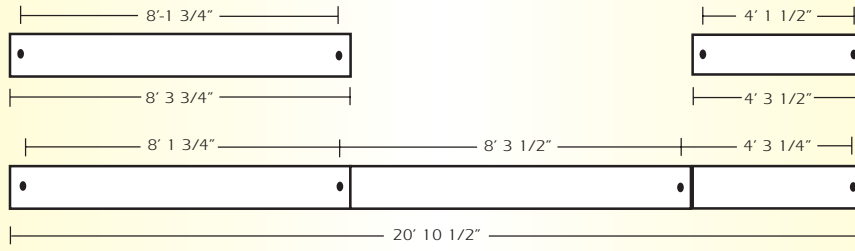
**OPTIONS**

- E10=** Electronic ballast, high power factor, thermally protected class P, sound rated A, < 10% total harmonic distortion
- DIM=** Dimming Ballast
- EPC=** Emergency Battery Pack
- EMC=** Emergency Circuit
- TCW=** Two Circuit Wiring
- TDW=** Tandem Wiring
- OTH=** See Accessories for other options available

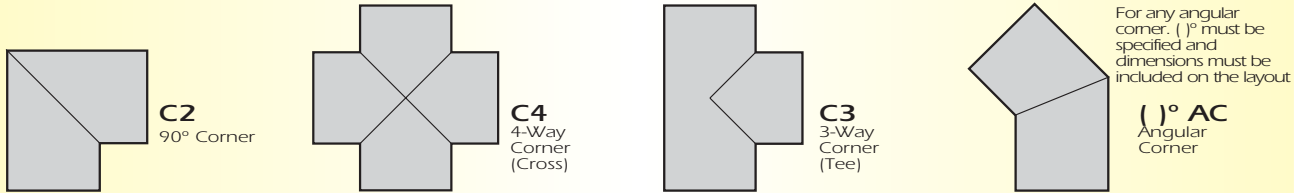
# Ovals

AD3512-1

LINEAR SECTIONS AND SUSPENSION LOCATION

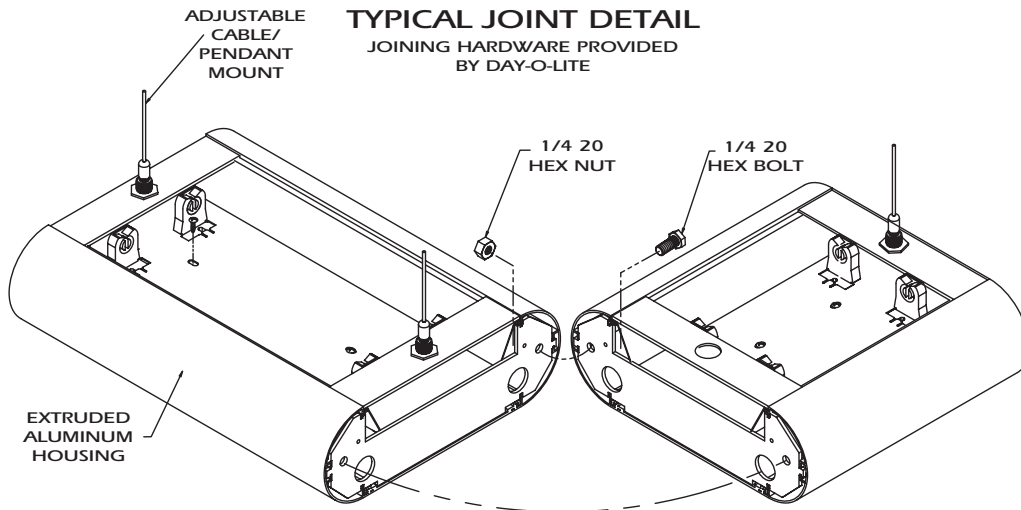


**CORNERS** Corners and fixture extensions are custom fabricated to precise dimensions. Please indicate the specific requirements on the layout

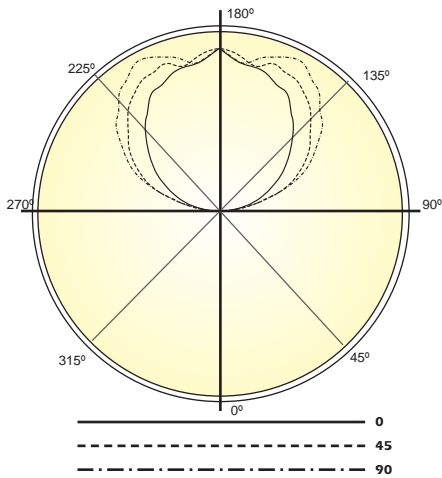


For any pattern, a layout must accompany the order.

INSTALLATION PREPARATION



PHOTOMETRY



LAMP (3) 32W T8  
LUMENS: 2900 PER LAMP

**Candela Distribution:**

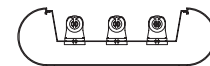
Vert. Angle	0	22.5	45	67.5	90
90	57.2	78.9	48.6	39.7	36.6
95	158	214	193	186	172
100	319	434	421	404	399
105	471	624	679	679	649
110	609	797	920	934	951
115	745	961	1107	1170	1204
120	903	1112	1268	1374	1380
125	1039	1248	1411	1547	1543
130	1175	1351	1516	1681	1721
135	1321	1453	1653	1807	1816
140	1467	1577	1783	1897	1981
145	1582	1680	1867	1976	2055
150	1730	1781	1947	2084	2167
155	1764	1846	1962	2123	2163
160	1839	1875	2006	2068	2092
165	1889	1909	1911	1943	2023
170	1898	1941	1954	2030	1915
175	1957	1923	2038	1976	1967
180	2077	2077	2077	2077	2077

Optical Distribution:  
100% Indirect

**Coefficients of Utilization - Zonal Cavity Method:**

pfc = 0.20

	.8	.7	.5	.3	.1	0												
pcc	.8	.7	.5	.3	.1	0												
pw	.7	.5	.3	.1	.5	.3	.1	.5	.3	.1	0							
RCR																		
0	78	78	78	78	67	67	67	67	46	46	46	26	26	26	8	8	8	0
1	71	68	65	62	61	58	56	54	40	38	37	23	22	21	7	7	7	0
2	65	59	55	51	55	51	47	44	35	32	30	20	19	18	6	6	5	0
3	59	52	46	42	50	44	40	36	30	28	25	17	16	15	5	5	4	0
4	54	46	40	35	46	39	34	30	27	24	21	15	14	12	5	4	3	0
5	49	40	34	30	42	35	30	26	24	20	18	13	12	10	4	4	3	0
6	45	36	30	25	38	31	26	22	21	18	15	12	10	9	4	3	3	0
7	41	32	26	22	35	27	22	19	19	16	13	11	9	8	3	3	2	0
8	38	29	23	19	32	25	20	16	17	14	11	10	8	7	3	2	2	0
9	35	26	20	16	30	22	18	14	15	12	10	9	7	6	2	2	2	0
10	33	24	18	14	28	20	16	12	14	11	9	8	6	5	2	2	1	0



Total Luminaire Optical Efficiency = 83.1%