

Features

The G9 is a new addition to our family of direct/indirect luminaires. The G9 features a stylish concave parabolic blade center louver. G9 has a modern look with a unique shape allowing for a variety of shielding options. The G9 is made for today's modern applications. The G9 is the ideal luminaire for any installation where high performance and comfortable lighting are required.

Specifications

HOUSING: Die formed 20-gauge cold rolled steel. The finish ends are laser cut 16-gauge cold rolled steel with no exposed hardware or knockouts.

SHIELDING: Parabolic louver is semi-specular low iridescence aluminum 1.25" x 1.2" O.C. with 40 cells per 4' section. Optional steel cross baffle and perforated steel center diffuser are also available.

REFLECTOR: Die formed 20-gauge cold rolled steel minimum 90% reflectivity finished in baked white enamel.

ELECTRICAL: Ballast is electronic, low-profile, universal voltage 120/277, high power factor, thermally protected, sound rated A with less than 10% total harmonic distortion. Luminaires in rows are pre-wired with quick connect through wiring. The minimum number of ballasts will be used unless otherwise specified. Please consult factory for lamp/ballast availability.

BALLAST DISCONNECT: Luminaires are pre-wired with integrated locking disconnects.

MOUNTING: Standard installation is an adjustable self locking aircraft assembly 48" x 3/32" with a 5" canopy. One 16/4 SJT straight 54" cord is provided per power feed location. Standard pendants are available in 24" lengths. See Mounting Options pages for additional mounting.

FINISH: Fixture housing and steel components are finished in baked white enamel applied over a five-stage pretreatment process.

LAMPS: Fixtures are provided for use with T5 or T5HO lamps. (Supplied by Others)

CERTIFICATION: Luminaires are U.L. Listed, C.S.A. certified and are Union Made in the United States of America. I.B.E.W.

TYPE

Ordering Guide

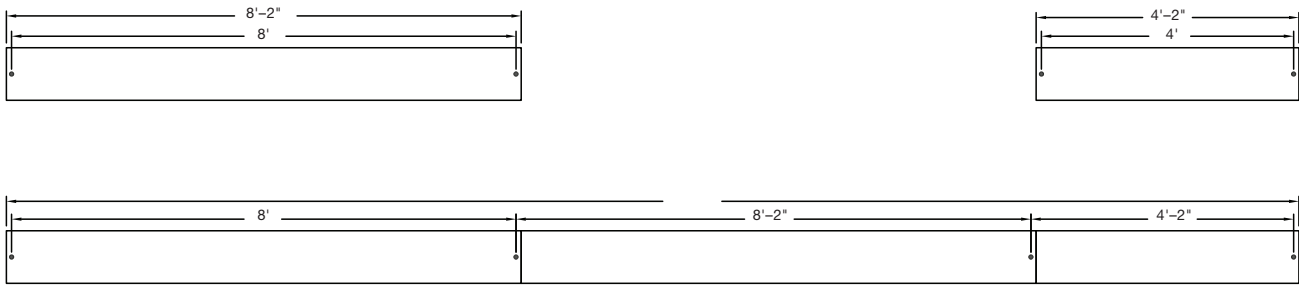
MODEL NO.	DIRECTION	SHIELDING	NUMBER OF LAMPS	LAMPS	MOUNTING	ROW LENGTH	FINISH	VOLTAGE	OPTIONS
G9	DI								
G9	DI = Direct/Indirect	PBL = Concave Parabolic louver SCB = Steel Cross Baffle P = Perforated Diffuser For shielding options, see page 360	2	T5 T5HO	AC = Cable PD = Pendant S = Surface Mounted Other mounting options available, see pgs. 357-359	4 = 4 ft 8 = 8 ft For other, please enter row length (eg. 48 = 48 ft)	W = White CC = Custom Color	UNV = 120/277	DIM = Dimming Ballast EPC = Emergency Battery Pack EMC = Emergency Circuit TCW = Two Circuit Wiring OTH = Other options available, see page 355

Example » **G9** | **DI** | **PBL** | **2T5** | **AC** | **4** | **W** | **UNV**

G9 direct indirect with a concave parabolic louver for two 28 watt T5 lamps, aircraft cable mounted 4' fixture, finished in baked white enamel, universal voltage electronic ballast less than 10% total harmonic distortion.

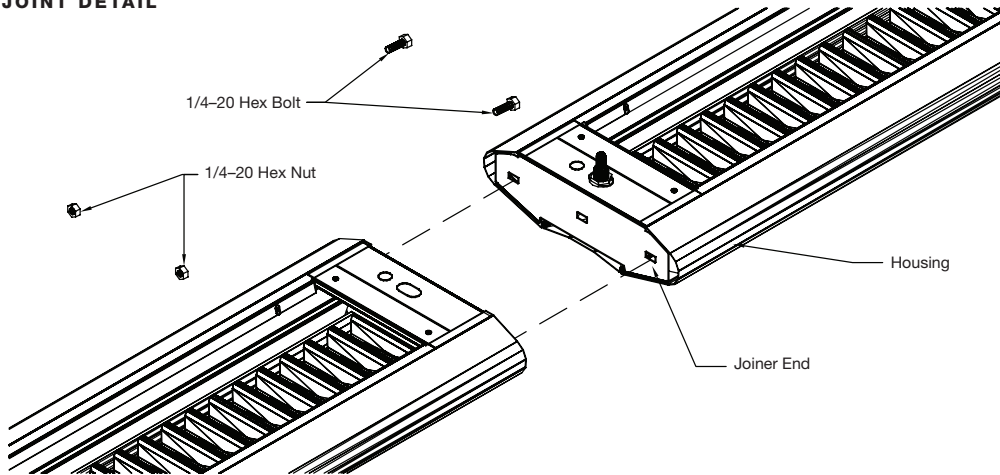
Linear Sections and Suspension Location

MOUNTING DETAIL



Installation Preparation

JOINT DETAIL



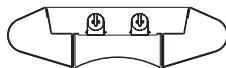
Photometry

COEFFICIENTS OF UTILIZATION-ZONAL CAVITY METHOD

pfc = 0.20

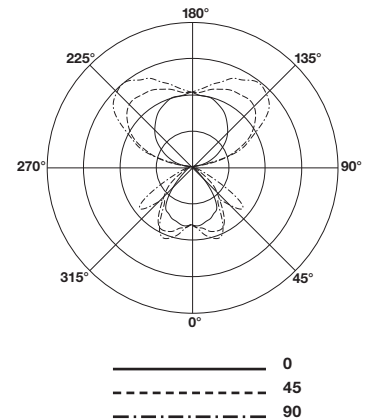
pcc	.8				.7				.5				.3				.1				0
pw	.7	.5	.3	.1	.7	.5	.3	.1	.5	.3	.1	.5	.3	.1	.5	.3	.1	.5	.3	.1	0
RCR																					
0	85	85	85	85	76	76	76	76	59	59	59	44	44	44	30	30	30	23			
1	78	75	72	70	70	67	65	63	53	51	50	40	39	38	27	27	26	21			
2	72	66	62	58	64	60	56	52	47	44	42	35	34	32	25	24	23	18			
3	66	59	53	49	59	53	48	44	42	39	36	32	30	28	22	21	20	16			
4	60	52	46	41	54	47	42	38	37	34	31	29	26	24	20	19	18	14			
5	55	46	40	36	50	42	37	33	34	30	27	26	23	21	18	17	16	13			
6	51	42	35	31	46	38	32	28	30	26	23	23	21	19	17	15	14	11			
7	47	38	31	27	42	34	29	25	27	24	21	21	19	17	15	14	12	10			
8	44	34	28	24	39	31	26	22	25	21	18	19	17	15	14	12	11	9			
9	41	31	25	21	36	28	23	19	23	19	16	18	15	13	13	11	10	8			
10	38	28	23	19	34	26	21	17	21	17	15	16	14	12	12	10	9	7			

Total Luminaire Optical Efficiency = 84.2%



CANDELA DISTRIBUTION

Vert. Angle	0	22.5	45	67.5	90
0	595	595	595	595	595
10	599	616	639	675	701
20	563	623	703	772	781
30	505	599	661	640	611
40	277	384	438	440	445
50	42.9	84.0	260	523	672
60	7.81	10.0	40.2	173	288
70	2.02	2.70	3.95	14.2	33.0
80	0.440	0.750	1.03	1.19	1.26
90	3.97	4.23	4.20	4.91	4.42
100	103	211	204	160	131
110	220	407	493	529	551
120	342	544	712	813	794
130	468	643	847	968	1026
140	561	696	896	1036	1090
150	647	745	877	975	1017
160	703	753	836	892	921
170	726	748	780	820	821
180	757	757	757	757	75



— 0
 - - - 45
 - - - 90

Lamp (2) 28w T5
 Lumens: 2900 Per Lamp

Optical Distribution:
 28% Direct: 72% Indirect

Day-O-Lite reserves the right to change product specifications without notice for product improvement.