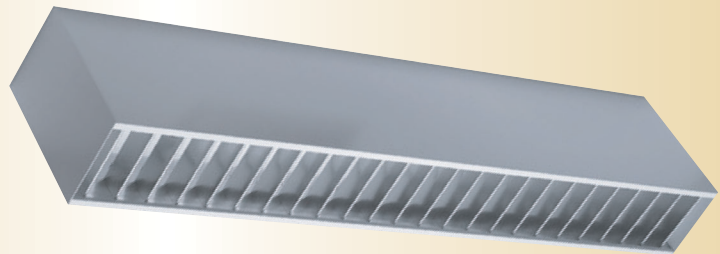
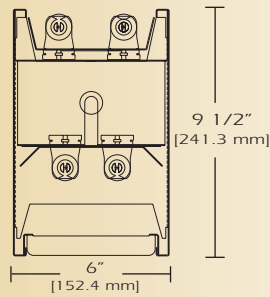


General Illumination

PTP-EP



TYPE _____

FEATURES

The PTP EP architectural linear series is an extraordinarily efficient steel luminaires. The PTP EP is designed with direct and indirect distribution for suspended mounting. This series can be mounted individually, in perfectly aligned continuous rows or in any of combination of patterns. This series is available with direct and indirect lamp control and almost limitless variety of down light shielding. The PTP series is an ideal solution for open spaces and provides maximum design versatility.

SPECIFICATIONS

Housing: Die formed 20 gauge cold rolled steel welded construction, top and bottom of housing have a 3/8" regression for structural rigidity and conformity. Joiner ends are notched below the lamps for ease of installation and continuous baffle appearance. Finished end caps are laser cut 18 gauge cold rolled steel, with no exposed hardware or knockouts. Housing aligners provide precision alignment for continuous rows.

Reflector: Both direct and indirect reflectors are die formed 20-gauge cold rolled steel minimum 90% reflectivity finished in high gloss baked white enamel.

Shielding: Parabolic louver is semi-specular low iridescence aluminum 1 1/2" x 2" O.C. with 24 cells per 4' section for direct lighting element. Indirect is open.

Electrical: Ballast is electronic, high power factor, thermally protected class P, sound rated A, with less than 20% total harmonic distortion. The minimum number of ballasts will be used unless otherwise specified. Direct and indirect lamps are dual circuit switching.

Mounting: Standard Installation is an adjustable self-locking aircraft cable assembly 48" x 3/32" in diameter with 5" canopy. One 16/4 SJT straight 54" cord is supplied with each power feed. Standard pendants are available in 24" lengths. See Accessories for additional mounting.

Finish: Fixture housing and steel components are finished in baked white enamel applied over a five-stage pretreatment process.

Lamps: Fixtures are provided for use with two to four 32-watt T8 lamps or 54-watt T5 HO lamps. (Supplied by Others)

Certification: Luminaires are U. L. Listed, C. S. A. certified and are Union Made in the United States of America. I.B.E.W.

ORDERING GUIDE

MODEL NO.	DIRECTION	SHIELDING	NO. OF LAMPS	LAMPS	MOUNTING	LENGTH	FINISH	VOLTAGE	OPTIONS
PTP	EP								
PTP	EP= Extended Profile Direct/ Indirect	PBL= Parabolic Louver SCB= Steel Cross Baffle PRS= Prismatic Acrylic WOA= White Opal Acrylic	1U1D= One Up/One Down 1U2D= One Up/Two Down *2U1D= Two Up/One Down *2U2D= Two UP/Two Down O= Other Symmetric Indirect Only	17 T8 (2') 25 T8 (3') 32 T8 (4') 40 T8 (5') 28 T5 (4') 54 T5 HO (4')	AC= Cable PD= Pendant See Accessories	2= ft 3= ft 4= ft 5= ft 6= ft 8= ft for other, please enter row length (eg. 48=48ft)	W= White CC= Custom Color	120v 277v	See Options Below

Example: **PTP-EP-PBL-2U2D-32T8-AC-4-W-120V**
PTP-EP direct/indirect with parabolic louver down and open up for two 32 watt T8 lamp down and two 32 watt T8 lamp up including two 48 inch aircraft cables and power feed four foot fixture finished in baked white enamel 120v electronic ballast less than 20% total harmonic distortion.

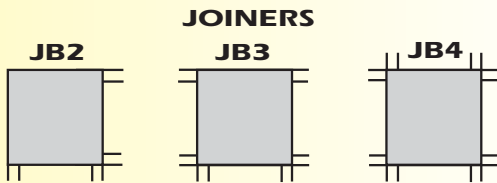
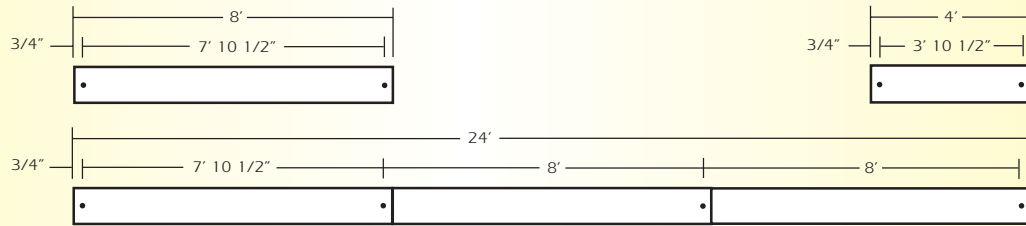
OPTIONS

- E10=** Electronic ballast, high power factor, thermally protected class P, sound rated A, < 10% total harmonic distortion
- PT3=** Parabolic reflector in semi-specular low iridescence aluminum for down light only.
- DIM=** Dimming Ballast
- EPC=** Emergency Battery Pack
- EMC=** Emergency Circuit
- TCW=** Two Circuit Wiring
- OTH=** See Accessories for other options available

General Illumination

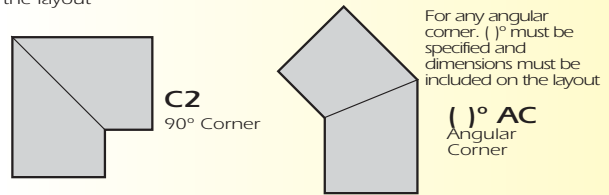
PTP-EP

LINEAR SECTIONS AND SUSPENSION LOCATION

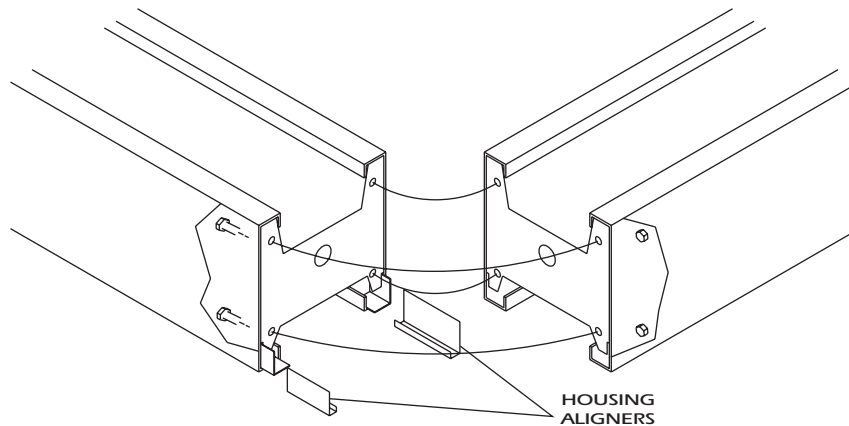


JB2
JB2-90° (Corner) Joiner Box
JB3
JB3-3-Way (Tee) Joiner Box
JB4
JB4-4-Way (Cross) Joiner Box

CORNERS Corners and fixture extensions are custom fabricated to precise dimensions. Please indicate the specific requirements on the layout

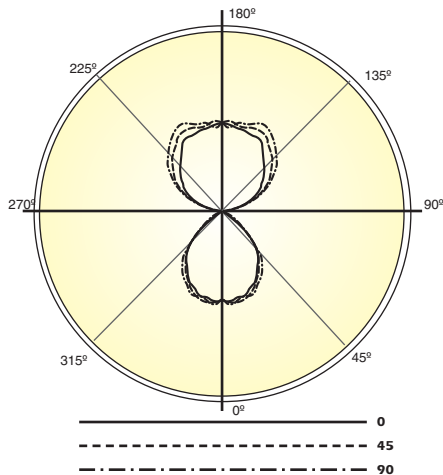


INSTALLATION PREPARATION



TYPICAL JOINT DETAIL

PHOTOMETRY



LAMP (4) 32W T8
LUMENS: 2900 PER LAMP
PARABOLIC LOUVER

Candela Distribution:

Vert. Angle	0	22.5	45	67.5	90
0	1395	1395	1395	1395	1395
10	1347	1395	1495	1452	1442
20	1294	1314	1364	1400	1365
30	1064	1117	1111	1176	1255
40	866	862	846	912	982
50	473	496	474	483	465
60	69.3	84.7	132	190	213
70	10.9	23.3	39.5	46.1	50.7
80	2.91	6.91	14.5	12.6	4.31
90	1.83	1.86	2.25	2.19	3.36
100	191	204	158	156	136
110	402	493	516	484	451
120	619	747	811	841	833
130	865	926	1015	1117	1112
140	1000	1092	1202	1309	1314
150	1224	1269	1390	1462	1504
160	1291	1329	1420	1464	1462
170	1374	1343	1427	1343	1495
180	1405	1405	1405	1405	1405

Optical Distribution:
36% Direct: 64% Indirect

Coefficients of Utilization - Zonal Cavity Method:

pfc = 0.20

	.8	.7	.5	.3	.1	0												
pcc	.8	.7	.5	.3	.1	0												
pw	.7	.5	.3	.1	.5	.3	.1	.5	.3	.1	0							
RCR																		
0	65	65	65	58	58	58	47	47	47	36	36	36	27	27	27	22		
1	60	57	55	53	54	52	50	49	42	41	40	33	32	32	25	24	24	20
2	55	51	47	44	49	46	43	41	38	36	34	30	28	27	22	22	21	18
3	50	45	41	38	45	41	38	35	34	31	29	27	25	24	20	19	18	16
4	46	40	36	32	42	37	33	30	30	27	25	24	22	21	18	17	16	14
5	43	36	31	28	39	33	29	26	27	24	22	22	20	18	17	16	15	12
6	39	32	28	24	36	30	26	23	25	22	19	20	18	16	15	14	13	11
7	36	29	25	21	33	27	23	20	22	19	17	18	16	14	14	13	12	10
8	34	27	22	19	31	24	20	18	20	17	15	17	14	13	13	12	11	9
9	31	24	20	17	29	22	18	16	19	16	14	15	13	12	12	11	10	8
10	29	22	18	15	27	20	17	14	17	14	12	14	12	11	11	10	9	7



Total Luminaire Optical Efficiency = 62.8%

SCW-2