

Features

The Jazz Stealth is one variation of a complete family of direct/indirect fluorescent luminaires. The Jazz Stealth can be furnished in a wide variety of perforated accent patterns in addition to standard pattern. The standard pattern is all perforated fixture 1/16" x 3/32" staggered centers with white translucent overlay. The housing is suspended 2" from wall or ceiling from incorporated mounting pan. Laser cut corporate logos can also be supplied as feature for reception areas and conference rooms. The unique design and the variety of direct components provide useful contrast.

Specifications

HOUSING: One piece die formed 20-gauge cold rolled steel welded construction forming a 12" x 4 1/2" rounded profile. The all perforated fixture is 1/16" x 3/32" staggered centers with white .020 translucent overlay. Housing is suspended 2" from wall or ceiling with four round spacers including decorative end piece. Finished ends are 18-gauge laser cut with no exposed knockouts.

REFLECTOR: Die formed 20 gauge cold rolled steel minimum 90% reflectivity finished in high gloss baked white enamel.

ELECTRICAL: Ballast is electronic, universal voltage 120/277, high power factor, thermally protected, sound rated A with less than 10% total harmonic distortion. The minimum number of ballasts will be used unless otherwise specified.

BALLAST DISCONNECT: Luminaires are pre-wired with integrated locking disconnects.

MOUNTING: Standard installation is mounting plate on back of fixture is 44" O.C.

FINISH: Fixture housing and steel components are finished in baked white enamel applied over a five-stage pretreatment process.

LAMPS: Fixtures are provided for use with two T8, T5 T5HO or compact fluorescent lamps. (Supplied by Others)

CERTIFICATION: Luminaires are U.L. Listed, C.S.A. certified and are Union Made in the United States of America I.B.E.W.

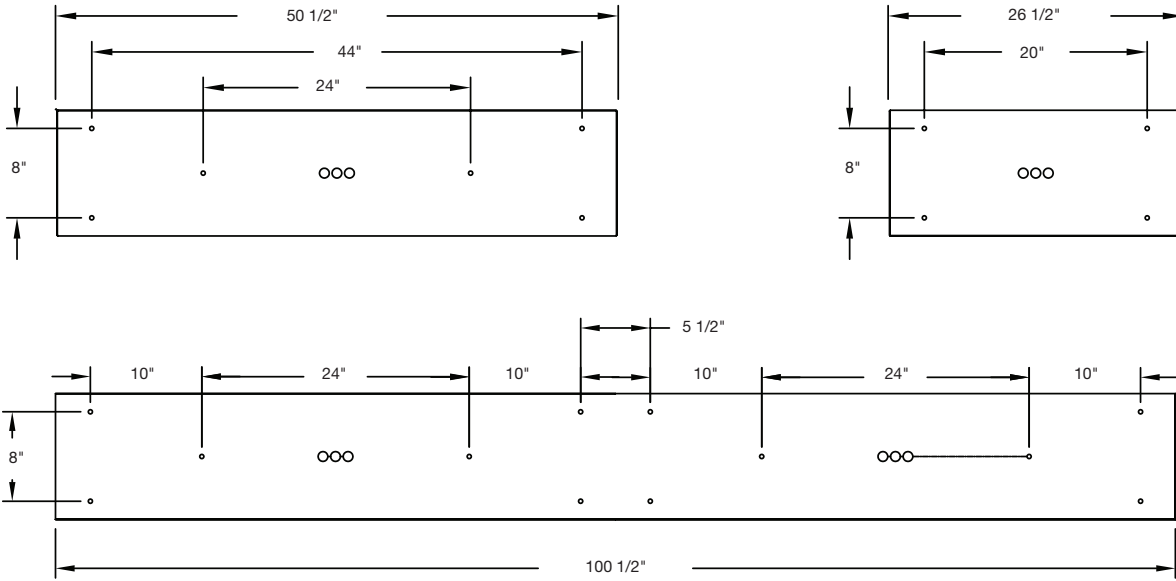
Ordering Guide

MODEL NO.	DIRECTION	NUMBER OF LAMPS	LAMPS	MOUNTING	LENGTH	FINISH	VOLTAGE	OPTIONS
JAZ-STEALTH	DI							
JAZ-STEALTH	DI = Direct/ Indirect	2	T8 T5 T5HO 40CF 50CF	S = Surface	2 = 2 ft 3 = 3 ft 4 = 4 ft 8 = 8 ft	W = White CC = Custom Color	UNV = 120/277	DIM = Dimming Ballast EPC = Emergency Battery Pack EMC = Emergency Circuit TCW = Two Circuit Wiring OTH = Other options available, see page 355

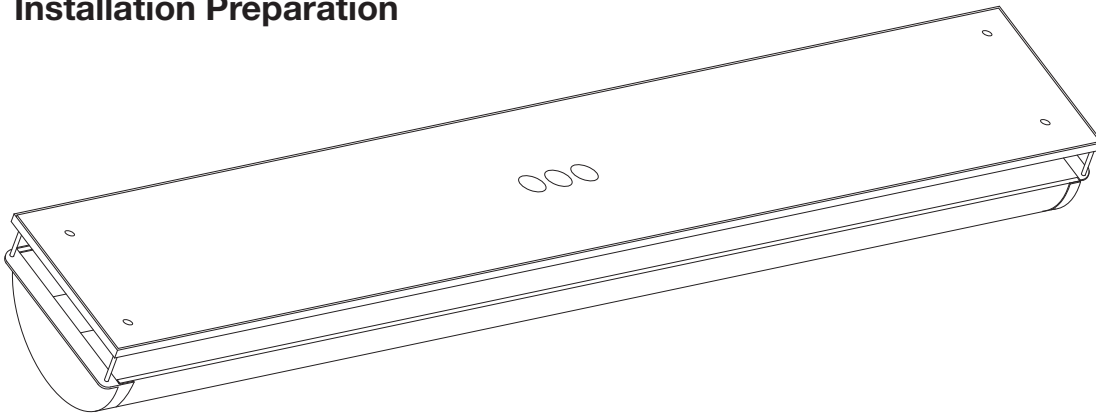
Example » JAZ-STEALTH | DI | 2T8 | S | 4 | W | UNV

Jazz Stealth direct/indirect luminaire with continuous perforated shielding for two 32 watt T8 lamps surface mounted four foot fixture finished in baked white enamel universal voltage electronic ballast less than 10% total harmonic distortion.

Linear Sections and Suspension Location



Installation Preparation



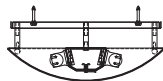
Photometry

COEFFICIENTS OF UTILIZATION-ZONAL CAVITY METHOD

pfc = 0.20

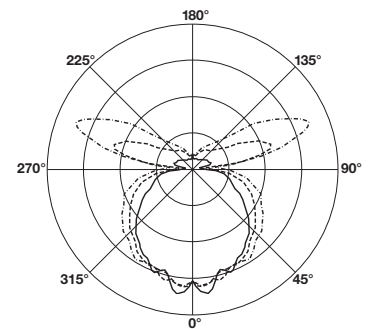
pcc	.8				.7				.5				.3				.1				0
pw	.7	.5	.3	.1	.7	.5	.3	.1	.5	.3	.1	.5	.3	.1	.5	.3	.1	.5	.3	.1	0
RCR																					
0	73	73	73	73	70	70	70	70	64	64	64	59	59	59	54	54	54	52			
1	66	62	59	57	63	60	57	55	55	53	51	51	49	47	43	43	43	42			
2	59	54	50	46	57	52	48	44	48	45	42	44	41	39	36	36	36	35			
3	54	47	42	38	52	46	41	37	42	38	35	39	36	33	30	30	30	29			
4	50	42	36	32	47	40	35	31	37	33	30	35	31	28	25	25	25	25			
5	46	37	32	28	43	36	31	27	33	29	26	31	27	24	22	22	22	21			
6	42	34	28	24	40	33	27	24	30	26	22	28	24	21	19	19	19	19			
7	39	31	25	21	37	30	24	21	28	23	20	26	22	19	17	17	17	17			
8	36	28	23	19	35	27	22	19	25	21	18	24	20	17	15	15	15	15			
9	34	26	20	17	32	25	20	17	23	19	16	22	18	15	14	14	14	13			
10	32	24	19	15	30	23	18	15	21	17	14	20	16	14	12	12	12	12			

Total Luminaire Optical Efficiency = 63.2%



CANDELA DISTRIBUTION

Vert. Angle	0	22.5	45	67.5	90
0	1089	1089	1089	1089	1089
10	993	1012	1020	1023	1022
20	903	930	969	994	1010
30	781	813	865	937	969
40	602	637	710	802	842
50	407	459	573	679	728
60	180	275	430	552	588
70	55.9	140	315	443	492
80	38.4	87.4	202	336	389
90	15.3	42.0	70.9	158	196
100	6.06	110	242	339	391
110	0.48	53.3	191.1	373	426
120	0.18	25.3	88.5	145	193
130	0.05	5.75	51.4	84.9	96.7
140	0.02	0.33	15.0	41.9	51.0
150	0.03	0.16	0.57	7.05	12.3
160	0.00	0.04	0.14	0.07	0.10
170	0.00	0.03	0.04	0.00	0.00
180	0.00	0.00	0.00	0.00	0.00



— 0
- - - 90
- · - · 180

Lamp (2) 32w T8

Lumens: 2900 Per Lamp

Optical Distribution:
80% Direct: 20% Indirect

Day-O-Lite reserves the right to change product specifications without notice for product improvement.