

## Features

The Crescent Moon is an innovative architecturally designed wall sconce using aluminum and steel to create its unique design. It is designed to meet the American Disability Act. It mounts flush to the wall at each end and bevels out ever so gently with its sleek styling. The Crescent Moon beveled ends make it yet another safety feature for many applications. The high quality luminaire is suitable for horizontal or vertical mounting. The Crescent Moon is almost limitless in variety of selections of lamps and shielding to allow the versatility required in architectural design.

## Specifications

**HOUSING:** A two piece construction of heavy gauge aluminum, which is attached to a 20-gauge steel housing for rigid wall mounted construction. See shielding sheet for perforation fascia options.

**SHIELDING:** Variations of shielding are offered from a white .020 transparent overlay to perforated metal.

**REFLECTOR:** A variable reflector system is designed into the series allowing the lighting to be controlled up or down to meet the aesthetic needs of the project.

**ELECTRICAL:** Ballast is electronic, low-profile, universal voltage 120/277, high power factor, thermally protected, sound rated A with less than 10% total harmonic distortion. The minimum number of ballasts will be used unless otherwise specified. Please consult factory for lamp/ballast availability.

**BALLAST DISCONNECT:** Luminaires are pre-wired with integrated locking disconnects.

**MOUNTING:** Provided with wall mounting key slots and mounts using a standard switch box or conduit feed.

**FINISH:** The steel components are finished in Candlelight Silver baked enamel applied over a five-stage pretreatment process. The aluminum fascia is polished natural aluminum clear coated.

**LAMPS:** Fixtures are supplied with the use of one or two lamps in T5 or T5HO and one lamp in compact fluorescent. Incandescent lamps are also available.

**CERTIFICATION:** Luminaires are U.L. Listed, C.S.A. certified and are Union Made in the United States of America I.B.E.W.

TYPE

## Ordering Guide

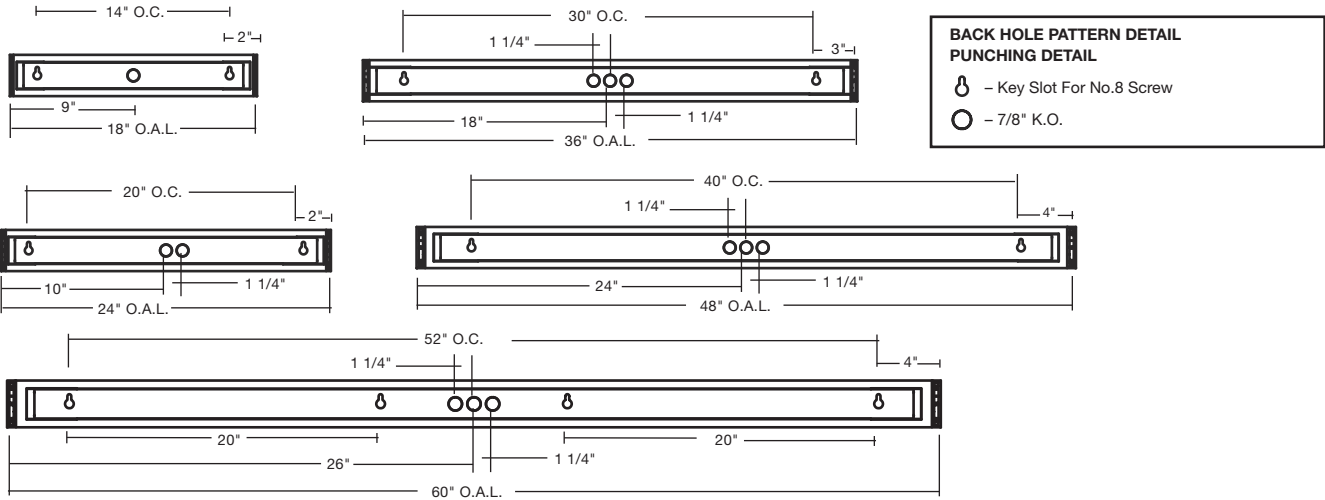
MODEL NO.	PROFILE	SHIELDING	NUMBER OF LAMPS	LAMPS	MOUNTING	LENGTH	FINISH	VOLTAGE	OPTIONS
<b>CRES</b>									
<b>CRES</b>	<b>O</b> = Open <b>A</b> = Shielding-Top and Bottom <b>B</b> = Louver on Bottom	<b>WOA</b> = White Opal [For 'A' Profile] <b>Perforations</b> See Shielding Chart [For 'A' Profile] <b>SCB</b> = Steel Cross Blade [For 'B' Profile Only]	<b>1</b> <b>2*</b> <b>*[T5-] T5HO Only</b>	<b>9W CF</b> <b>13W CF</b> <b>18W CF</b> <b>36W CF</b> <b>40W CF</b> <b>14W T5</b> <b>24W T5HO</b> <b>21W T5</b> <b>39W T5HO</b> <b>28W T5</b> <b>54W T5HO</b>	<b>WM</b> = Wall Mount <b>S</b> = Surface Mounted	<b>1.5</b> = 1.5 ft <b>2</b> = 2 ft <b>3</b> = 3 ft <b>4</b> = 4 ft <b>5</b> = 5 ft	<b>AL</b> = Polished Natural Aluminum <b>CC</b> = Custom Color	<b>UNV</b> = 120/277	<b>EMC</b> = Emergency Circuit <b>TCW</b> = Two Circuit Wiring <b>LSU</b> = Lamp Shield Up - Solid Top Shield for Down Light Only <b>LSD</b> = Lamp Shield Down - Solid Bottom Shield for Up Light Only <b>DCS</b> = Dust Cover Up Light

**Example »** CRES | O | 124 | T5HO | WM | 3' | AL | UNV

Crescent Moon open for one 24 watt T5 HO lamp, wall mounted fixture finished in a fine polished natural aluminum with universal voltage electronic ballast less than 10% total harmonic distortion.

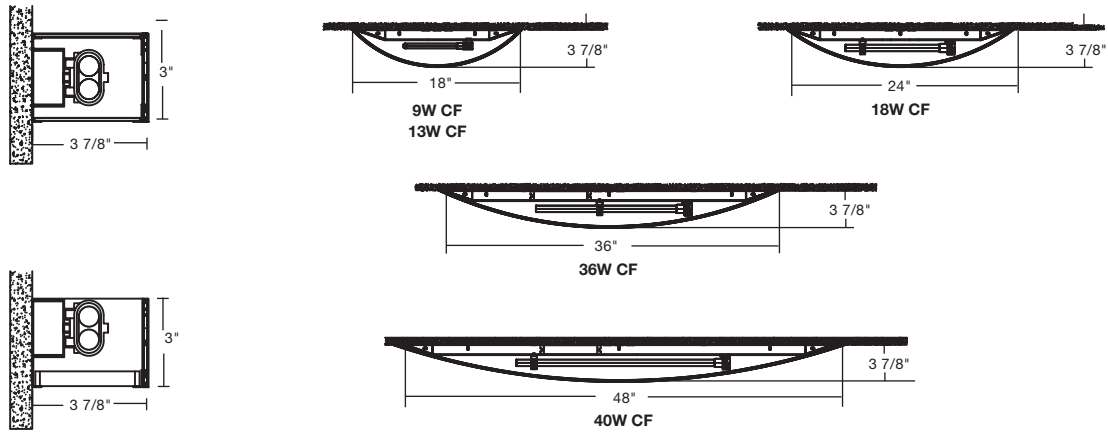


## Linear Sections and Suspension Location



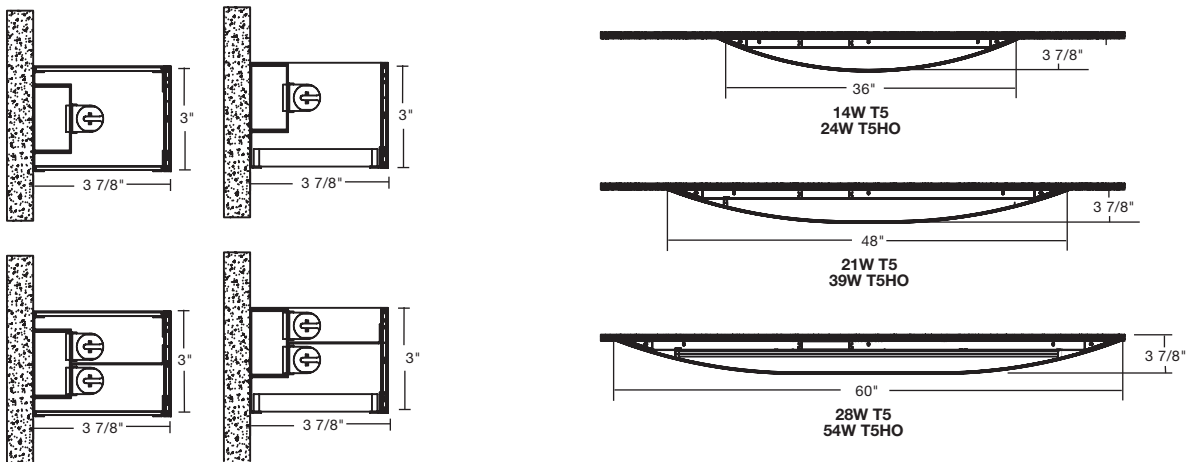
## Compact Fluorescent

### ONE LAMP OPTION



## T5 Fluorescent

### ONE OR TWO LAMP OPTION



Day-O-Lite reserves the right to change product specifications without notice for product improvement.