

## Features

NAS-POW is one of the newest products within the New Age series. NAS-POW's contemporary style and modern Zero Plenum Design is the ideal luminaire for office and healthcare applications. The NAS-POW features a centered perforated metal lamp shield with an acrylic overlay. NAS-POW provides high performance lighting while also providing high efficiency. NAS-POW is available in 2' x 2' and 2' x 4'.

## Specifications

**HOUSING:** Die formed 20-gauge cold rolled steel housing. Housing has an access plate on top with two 7/8" diameter knockouts.

**SHIELDING:** Die formed 20 gauge perforated lamp shield has a 58% opening with white acrylic .020 translucent overlay, providing high transmission while obscuring lamp image. The lamp shield is removable for easy lamp access.

**REFLECTOR:** Die formed .020 steel, minimum 90% reflectivity finished in low glare matte baked white enamel.

**ELECTRICAL:** Ballast is electronic, low-profile, universal voltage 120/277, high power factor, thermally protected, sound rated A with less than 10% total harmonic distortion. The minimum number of ballasts will be used unless otherwise specified. Please consult factory for lamp/ballast availability.

**BALLAST DISCONNECT:** Luminaires are pre-wired with integrated locking disconnects.

**MOUNTING:** Standard installation is in an exposed inverted T-bar ceiling. Fixtures are supplied with four support brackets for additional support to T-bar. See Mounting Options pages for additional mounting.

**FINISH:** Fixture housing and steel components are finished in baked white enamel applied over a five-stage pretreatment process.

**LAMPS:** Fixtures are provided for use with T5, T5HO or compact fluorescent lamps. (Supplied by Others)

**CERTIFICATION:** Luminaires are U.L. Listed, C.S.A. certified and are Union Made in the United States of America. I.B.E.W.

TYPE

## Ordering Guide

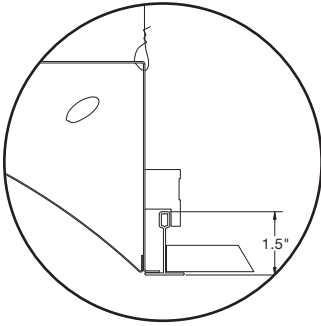
MODEL NO.	NUMBER OF LAMPS	LAMPS	SIZE	MOUNTING	FINISH	VOLTAGE	OPTIONS
<b>NAS-POW</b>							
NAS-POW	2	T5	22 = 2 x 2	G = Standard Lay-in Grid	W = White	UNV = 120/277	DIM = Dimming Ballast
	3	T5HO 40CF 50CF	24 = 2 x 4	MG = Miniature Grid F = Flanged	CC = Custom Color		EPC = Emergency Battery Pack EMC = Emergency Circuit OTH = Other options available, see page 355

**Example »** NAS-POW | 2T5HO | 24 | G | W | UNV

New Age Series with perforated lamp shield, two 54 watt T5HO lamps, 2 x 4 fixture grid mounted, finished in baked white enamel, universal voltage electronic ballast less than 10% total harmonic distortion.

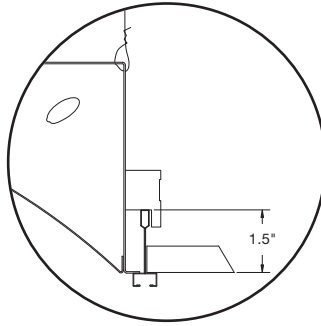
## Linear Sections and Suspension Location

**MOUNTING "G"**



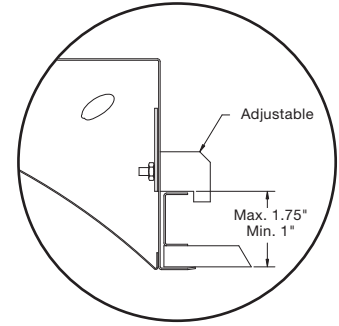
Std. 1 1/2" Inverted "T" Bar

**MOUNTING "MG"**



1 1/2" Miniature Grid Ceiling

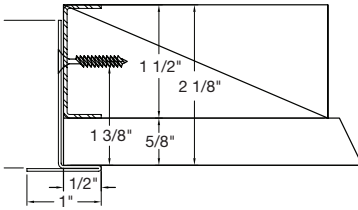
**MOUNTING "F"**



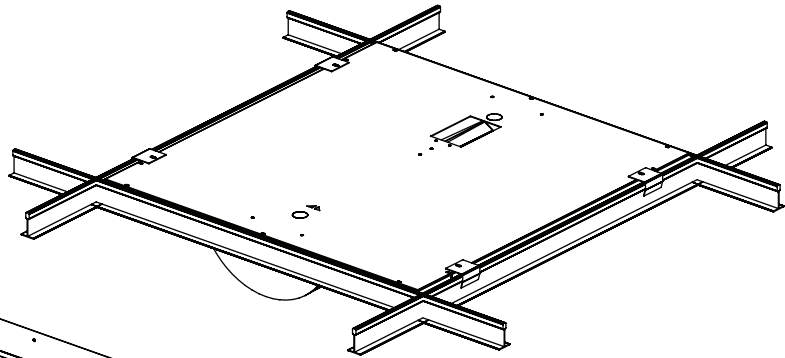
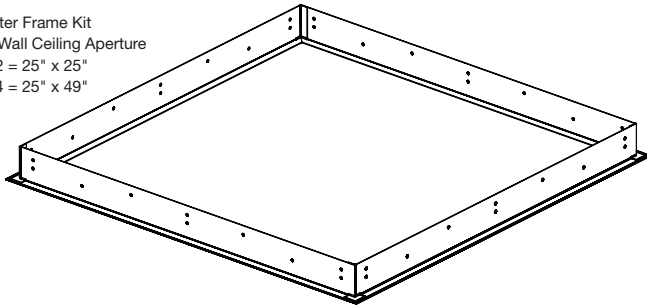
Plaster Or Dry Wall Ceiling  
(Optional)

## Installation Preparation

Plaster Frame Detail (All 4 Sides)



Plaster Frame Kit  
Dry Wall Ceiling Aperture  
2 x 2 = 25" x 25"  
2 x 4 = 25" x 49"



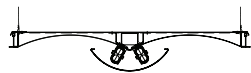
## Photometry

### COEFFICIENTS OF UTILIZATION-ZONAL CAVITY METHOD

pfc = 0.20

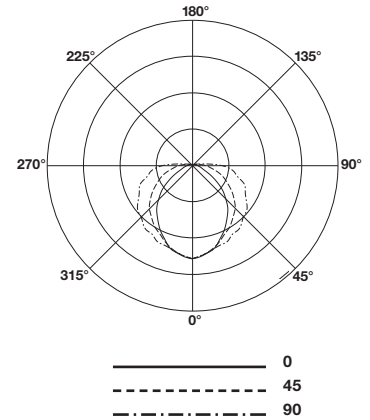
pcc	.8		.7		.5		.3		.1		0	
pw	.7	.5	.3	.1	.7	.5	.3	.1	.5	.3	.1	0
<b>RCR</b>												
0	78	78	78	78	76	76	76	76	72	72	72	69
1	69	65	62	59	67	64	61	58	61	58	56	54
2	62	56	51	47	61	55	50	46	52	49	45	43
3	57	49	43	38	55	48	42	38	46	41	37	34
4	52	43	37	32	50	42	36	32	40	35	31	29
5	47	38	32	28	46	38	32	27	36	31	27	25
6	44	34	28	24	42	34	28	24	33	27	23	21
7	40	31	25	21	39	31	25	21	30	24	21	19
8	38	28	23	19	37	28	22	19	27	22	18	17
9	35	26	20	17	34	26	20	17	25	20	16	15
10	33	24	19	15	32	24	18	15	23	18	15	13

Total Luminaire Optical  
Efficiency = 65.8%



### CANDELA DISTRIBUTION

Vert. Angle	0	22.5	45	67.5	90
0	853	853	853	853	853
5	839	849	833	821	832
15	785	780	777	774	787
25	675	686	697	731	766
35	560	579	629	691	726
45	429	461	554	635	662
55	277	332	447	560	605
65	128	195	336	475	532
75	67.9	98.4	229	374	428
85	23.0	40.2	132	269	329
95	1.02	5.85	11.6	29.1	42.3
105	0.5	1.78	2.64	2.11	0.8
115	0.44	0.99	1.39	1.11	0.40
125	0.50	0.55	0.87	0.64	0.18
135	0.39	0.37	0.58	0.52	0.12
145	0.26	0.37	0.31	0.27	0.12
155	0.19	0.33	0.25	0.14	0.02
165	0.11	0.17	0.14	0.07	0.02
175	0	0	0.07	0.06	0.16
180	0	0	0	0	0



Lamp (2) 24w T5HO  
Lumens: 2000 Per Lamp

Optical Distribution:  
100% Direct

Day-O-Lite reserves the right to change product specifications without notice for product improvement.