

Other shielding perforation options available, see page 360

Features

The G4-DI presents a unique ultra shallow winged profile and is one variation of a complete family of suspended linear fluorescent luminaires. The G4-DI is a direct/indirect version of the family of luminaires and provides exceptional performance. Constructed of perforated steel and aluminum extrusions, it features a “reveal” between modules in continuous rows. The computer designed optical system creates a widespread indirect distribution while offering a wide variety of direct perforated accent patterns along its wings creating its own unique styling contrast.

Specifications

HOUSING: One piece die formed 20 gauge cold rolled steel welded construction forming a 1 3/4" x 8 7/8" wave profile. Perforated cluster sections with white .020 translucent overlay. The housing ends are die formed extruded aluminum. The decorative intermediate end caps are provided for mounting and joining individual fixtures in rows. Finished ends are laser cut aluminum, with no exposed hardware or knockouts.

REFLECTOR: Die formed 20-gauge cold rolled steel minimum 90% reflectivity in high gloss white enamel with die formed center reflector.

ELECTRICAL: Ballast is electronic, low-profile, universal voltage 120/277, high power factor, thermally protected, sound rated A with less than 10% total harmonic distortion. Luminaires in rows are pre-wired with quick connect through wiring. The minimum number of ballasts will be used unless otherwise specified. Please consult factory for lamp/ballast availability.

BALLAST DISCONNECT: Luminaires are pre-wired with integrated locking disconnects.

MOUNTING: Standard Installation is an adjustable self-locking aircraft cable assembly 48" x 3/32" in diameter with 5" canopy. One 16/4 SJT straight 54" cord is supplied with each power feed. Standard pendants are available in 24" lengths. See Mounting Options pages for additional mounting.

FINISH: Fixture housing and steel components are finished in baked white enamel applied over a five-stage pretreatment process.

LAMPS: Fixtures are provided for use with two T5 or T5HO lamps. (Supplied by Others)

CERTIFICATION: Luminaires are U. L. Listed, C.S.A. certified and are Union Made in the United States of America I.B.E.W.

TYPE

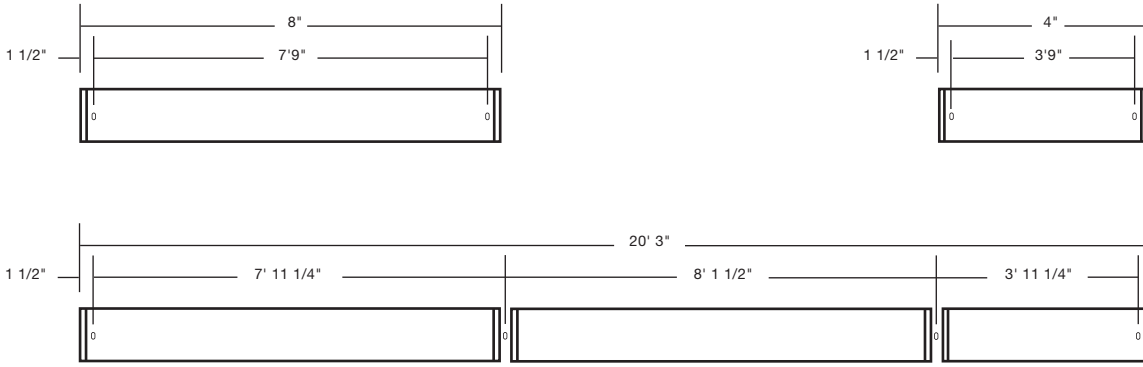
Ordering Guide

MODEL NO.	DIRECTION	SHIELDING	NUMBER OF LAMPS	LAMPS	MOUNTING	ROW LENGTH	FINISH	VOLTAGE	OPTIONS
G4	DI	3							
G4	DI = Direct/Indirect	3 = Perforated Continuous (shown) Other shielding options available, see page 360	2	T5 T5HO	AC = Cable PD = Pendant Other mounting options available, see pgs. 357-359	4 = 4 ft 8 = 8 ft For other, please enter row length (eg. 48 = 48 ft)	W = White CC = Custom Color	UNV = 120/277	DIM = Dimming Ballast EPC = Emergency Battery Pack EMC = Emergency Circuit TCW = Two Circuit Wiring OTH = Other options available, see page 355

Example » **G4** | **DI** | **3** | **2T5HO** | **AC** | **4** | **W** | **UNV**

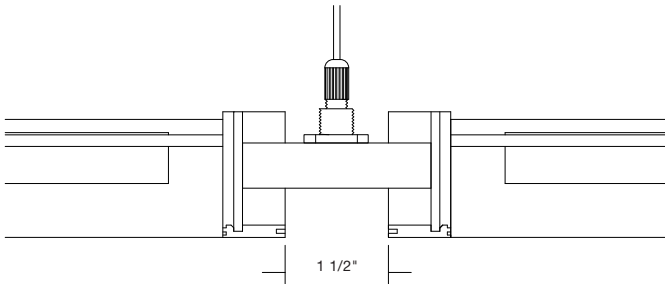
Generation Four with continuous perforated pattern with opal overlay for two 54 watt T5HO lamps with two 48 inch aircraft cables and power feed four foot fixture finished in baked white enamel with universal voltage electronic ballast less than 10% total harmonic distortion.

Linear Sections and Suspension Location

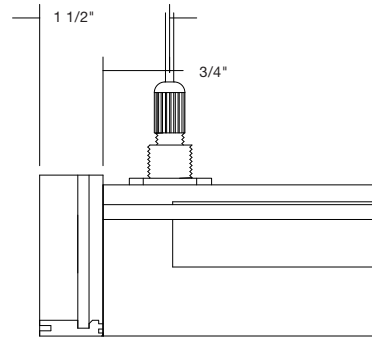


Installation Preparation

TYPICAL JOINT DETAIL



TYPICAL END DETAIL



Photometry

COEFFICIENTS OF UTILIZATION-ZONAL CAVITY METHOD

pfc = 0.20

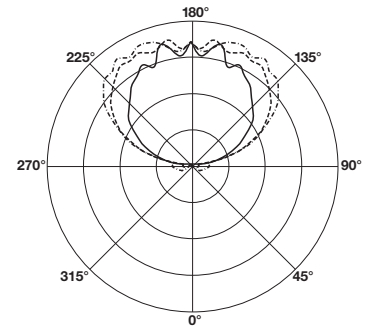
pcc pw	.8				.7				.5				.3				.1				0
	.7	.5	.3	.1	.7	.5	.3	.1	.5	.3	.1	.5	.3	.1	.5	.3	.1	.5	.3	.1	0
RCR																					
0	74	74	74	74	64	64	64	64	45	45	45	28	28	28	12	12	12	5			
1	67	63	60	58	57	55	52	50	38	37	35	23	22	22	9	9	9	3			
2	60	55	50	46	52	47	44	40	33	31	29	20	19	18	7	7	7	2			
3	55	48	43	38	47	41	37	33	29	26	24	18	16	14	5	5	5	1			
4	50	42	36	32	43	36	32	28	25	22	20	15	14	12	4	4	4	1			
5	46	37	31	27	39	32	27	24	23	19	17	14	12	10	4	4	4	1			
6	42	33	27	23	36	29	24	20	20	17	14	12	10	9	3	3	3	0			
7	38	30	24	20	33	26	21	17	18	15	12	11	9	8	3	3	3	0			
8	35	27	21	17	30	23	18	15	16	13	11	10	8	7	2	2	2	0			
9	33	24	19	15	28	21	16	13	15	12	9	9	7	6	2	2	2	0			
10	31	22	17	13	26	19	14	11	13	10	8	8	6	5	2	2	2	0			

Total Luminaire Optical
Efficiency = 76.2%



CANDELA DISTRIBUTION

Vert. Angle	0	22.5	45	67.5	90
0	11	11	11	11	11
5	4	12	11	12	7
15	13	13	16	13	6
25	15	11	12	11	16
35	9	14	12	28	45
45	15	11	29	79	100
55	13	16	60	123	161
65	11	20	87	168	203
75	8	23	118	192	228
85	5	13	107	241	281
95	240	195	185	246	262
105	551	667	706	712	696
115	838	1029	1154	1185	1177
125	1125	1255	1460	1567	1587
135	1298	1465	1657	1745	1831
145	1510	1613	1829	1890	1943
155	1665	1730	1856	1980	1938
165	1841	1785	1827	1862	1896
175	1646	1709	1759	1678	1718
180	1847	1847	1847	1847	1847



— 0
- - - 45
- · - · - 90

Lamp (2) 54w T5HO

Lumens: 5000 Per Lamp

Optical Distribution:
7% Direct: 93% Indirect

Day-O-Lite reserves the right to change product specifications without notice for product improvement.