

## Features

The PTP architectural linear series is an extraordinarily efficient steel luminaire. The PTP IAI is designed with an asymmetric inward indirect distribution for wall mounting. This series can be mounted individually, in perfectly aligned continuous rows or in any of combination of patterns. The PTP series is an ideal solution for open spaces and provides maximum design versatility.

## Specifications

**HOUSING:** Die formed 20 gauge cold rolled steel welded construction. Finished end caps are laser cut 18 gauge cold rolled steel, with no exposed hardware or knockouts. Housing aligners provide precision alignment for continuous rows.

**REFLECTOR:** Die formed 20-gauge cold rolled steel minimum 90% reflectivity finished in high gloss baked white enamel.

**ELECTRICAL:** Ballast is electronic, universal voltage 120/277, high power factor, thermally protected, sound rated A with less than 10% total harmonic distortion. Luminaires in rows are pre-wired with quick connect through wiring. The minimum number of ballasts will be used unless otherwise specified.

**BALLAST DISCONNECT:** Luminaires are pre-wired with integrated locking disconnects.

**MOUNTING:** Provided with wall mounting brackets measuring 5" square by 1" deep. Finished in white to match housing.

**FINISH:** Fixture housing and steel components are finished in baked white enamel applied over a five-stage pretreatment process.

**LAMPS:** Fixtures are provided for use with one T8, T5 or T5HO lamps. (Supplied by Others)

**CERTIFICATION:** Luminaires are U. L. Listed, C.S.A. certified and are Union Made in the United States of America. I.B.E.W.

TYPE

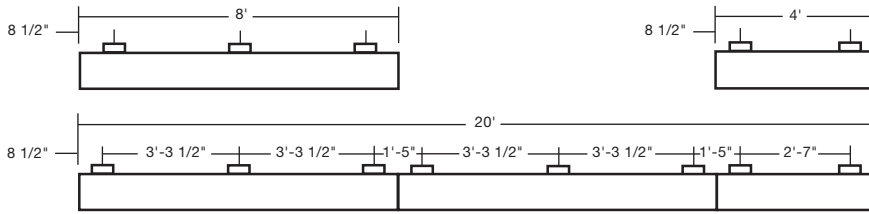
## Ordering Guide

MODEL NO.	DIRECTION	NUMBER OF LAMPS	LAMPS	MOUNTING	ROW LENGTH	FINISH	VOLTAGE	OPTIONS
<b>PTP</b>	<b>IAI</b>							
<b>PTP</b>	<b>IAI</b> = Indirect Asymmetric In	<b>1</b>	<b>T8</b> <b>T5</b> <b>T5HO</b>	<b>WM</b> = Wall Mount	<b>2</b> = 2 ft <b>3</b> = 3 ft <b>4</b> = 4 ft <b>5</b> = 5 ft <b>6</b> = 6 ft <b>8</b> = 8 ft  For other, please enter row length (eg. 48 = 48 ft)	<b>W</b> = White <b>CC</b> = Custom Color	<b>UNV</b> = 120/277	<b>DIM</b> = Dimming Ballast <b>EPC</b> = Emergency Battery Pack <b>EMC</b> = Emergency Circuit <b>TWC</b> = Two Circuit Wiring <b>OTH</b> = Other options available, see page 355

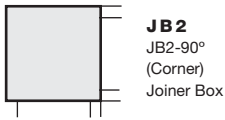
**Example »** PTP | IAI | 1T8 | WM | 4 | W | UNV

PTP Indirect Asymmetric In for one 32 watt T8 lamp wall mounted four foot fixture finished in baked white enamel universal voltage electronic ballast 10% total harmonic distortion.

## Linear Sections and Suspension Location

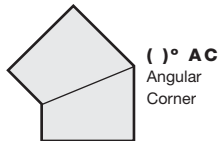
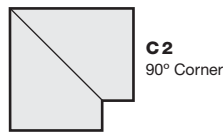


### JOINERS



### CORNERS

Corners and fixture extensions are custom fabricated to precise dimensions. Please indicate the specific requirements on the layout

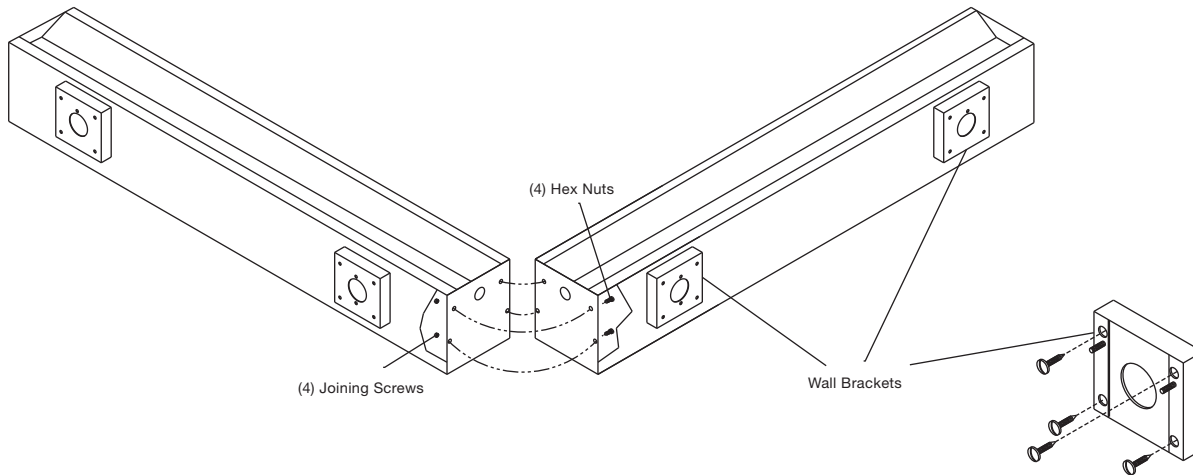


For any angular corner, ( )° must be specified and dimensions must be included on the layout

For any pattern, a layout must accompany the order.

## Installation Preparation

### TYPICAL JOINT DETAIL



## Photometry

### COEFFICIENTS OF UTILIZATION-ZONAL CAVITY METHOD

pfc = 0.20

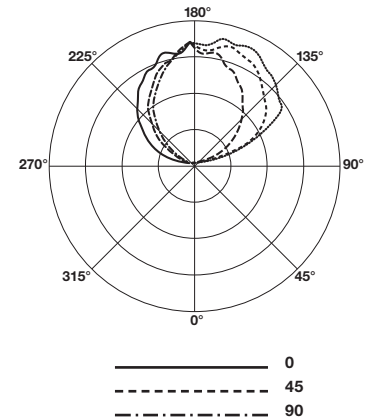
pcc	.8				.7				.5				.3				.1				0
pw	.7	.5	.3	.1	.7	.5	.3	.1	.5	.3	.1	.5	.3	.1	.5	.3	.1	.5	.3	.1	0
<b>RCR</b>																					
0	78	78	78	78	67	67	67	67	46	46	46	26	26	26	8	8	8	8	8	8	0
1	71	68	65	62	61	58	56	53	40	38	37	23	22	22	7	7	7	7	7	7	0
2	65	59	55	51	55	51	47	44	35	32	31	20	19	18	6	6	6	6	6	6	0
3	59	52	46	42	50	44	40	36	30	28	26	18	16	15	5	5	5	5	5	5	0
4	54	46	40	35	46	39	34	31	27	24	22	16	14	13	4	4	4	4	4	4	0
5	49	40	34	30	42	35	30	26	24	21	18	14	12	11	3	3	3	3	3	3	0
6	45	36	30	25	38	31	26	22	21	18	16	12	11	9	3	3	3	3	3	3	0
7	41	32	26	22	35	28	23	19	19	16	14	11	9	8	3	3	3	3	3	3	0
8	38	29	23	19	32	25	20	17	17	14	12	10	8	7	2	2	2	2	2	2	0
9	35	26	20	17	30	22	18	14	16	12	10	9	7	6	2	2	2	2	2	2	0
10	33	24	18	15	28	20	16	13	14	11	9	8	7	5	2	2	2	2	2	2	0

Total Luminaire Optical  
Efficiency = 81.8%



### CANDELA DISTRIBUTION

Vert. Angle	0	22.5	45	67.5	90
90	7.72	3.16	3.17	3.46	3.14
95	46.3	17.2	13.3	11.5	12.4
100	103	51.5	37.6	30.3	27.3
105	158	97.0	76.0	65.4	58.7
110	218	142	121	103	97.7
115	273	200	165	149	141
120	336	247	219	201	193
125	382	300	264	250	247
130	427	355	308	297	279
135	480	409	360	337	327
140	521	461	406	384	374
145	572	513	462	427	424
150	620	575	505	473	467
155	646	604	565	519	515
160	675	644	607	567	570
165	686	671	672	628	626
170	714	696	686	656	671
175	711	721	732	732	692
180	726	726	726	726	726



Lamp (1) 32w T8

Lumens: 2900 Per Lamp

Optical Distribution:  
100% Indirect

Day-O-Lite reserves the right to change product specifications without notice for product improvement.