

Features

The NAS-ERA is one variation of a complete group of Recessed Direct luminaires featuring a metal perforated lamp shield with an acrylic overlay to obscure direct lamp image. The perforated lamp shield is asymmetrically positioned above the ceiling plane. Lamp output is distributed over a computer designed reflector system to provide soft glare-free illumination. The NAS-ERA series can be used in any installation where high performance and comfortable lighting are required.

Specifications

HOUSING: Die formed 20-gauge cold rolled steel finished in baked white enamel. Housing has an access plate on top with two 7/8" diameter knockouts.

SHIELDING: Die formed 20 gauge perforated steel lamp shield has a 58% opening with white acrylic .020 translucent overlay. The hinged lamp shield is removable for easy lamp access.

REFLECTOR: Die formed .020 steel 90% minimum reflectivity finished in low glare matte baked white enamel.

ELECTRICAL: Ballast is electronic, universal voltage 120/277, high power factor, thermally protected, sound rated A with less than 10% total harmonic distortion. The minimum number of ballasts will be used unless otherwise specified.

BALLAST DISCONNECT: Luminaires are pre-wired with integrated locking disconnects.

MOUNTING: Standard installation is 2 x 4 exposed inverted T-bar ceiling. Optional trims are also available for installations in miniature grid, drywall or plaster ceiling. For mounting detail information consult factory. Four support brackets are included with each fixture.

FINISH: Fixture housing and steel components are finished in baked white enamel applied over a five-stage pretreatment process.

LAMPS: Fixtures are provided for use with T8, T5, T5HO, or compact fluorescent lamps. (Supplied by Others)

CERTIFICATION: Luminaires are U.L. Listed, C.S.A. certified and are Union Made in the United States of America I.B.E.W.

TYPE

Ordering Guide

MODEL NO.	NUMBER OF LAMPS	LAMPS	SIZE	MOUNTING	FINISH	VOLTAGE	OPTIONS
NAS-ERA			24				
NAS-ERA	1	40-CF	24 = 2 x 4	G = Standard Lay-in Grid	W = White	UNV = 120/277	DIM = Dimming Ballast
	2	50-CF		MG = Miniature Grid	CC = Custom Color		EPC = Emergency Battery Pack
		T8		F = Flanged			EMC = Emergency Circuit
		T5					ARS = Air return system
		T5HO					FWH = Flexible wiring harness
							SPEC = Full Semi-Specular Aluminum Reflector
							OTH = Other options available, see page 355

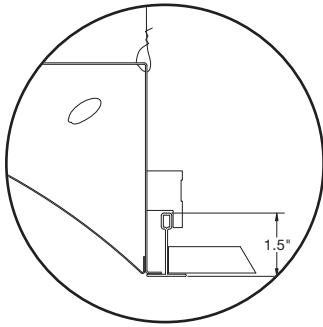
Example » **NAS-ERA** | **1T8** | **24** | **G** | **W** | **UNV**

New Age Series with perforated lamp shield one 32 watt T8 fluorescent 2 x 4 grid fixture finished in baked white enamel universal voltage electronic ballast less than 10% harmonics.



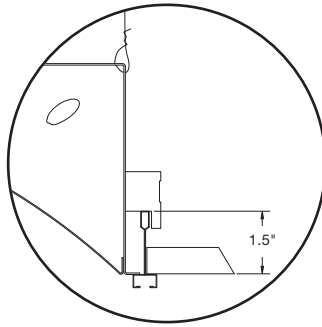
Linear Sections and Suspension Location

MOUNTING "G"



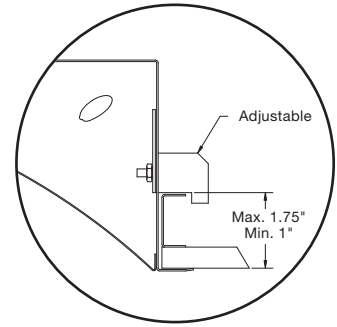
Std. 1 1/2" Inverted "T" Bar

MOUNTING "MG"



1 1/2" Miniature Grid Ceiling

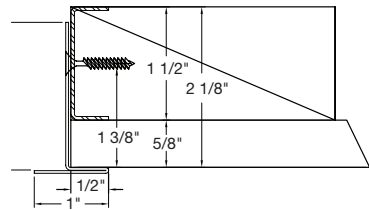
MOUNTING "F"



Plaster Or Dry Wall Ceiling
(Optional)

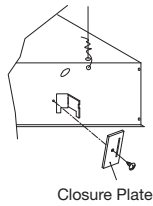
Installation Preparation

Plaster Frame Detail (All 4 Sides)



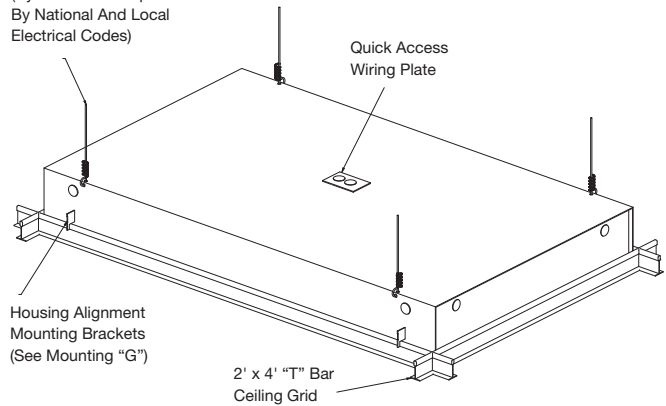
2' x 4' Plaster Frame Kit
Dry Wall Ceiling Aperture
25" x 49"

Side Elevation Detail
(See Mounting "G")



Closure Plate

Wire Ties Or Chains
(By Others As Required
By National And Local
Electrical Codes)



Housing Alignment
Mounting Brackets
(See Mounting "G")

2' x 4' "T" Bar
Ceiling Grid

Photometry

COEFFICIENTS OF UTILIZATION-ZONAL CAVITY METHOD

pfc = 0.20

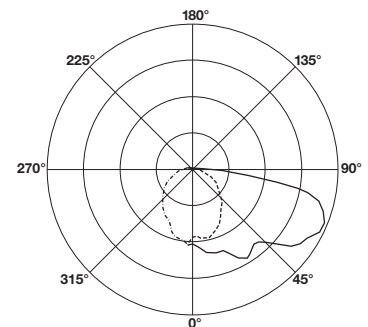
pcc	.8				.7				.5				.3				.1				0																			
pw	.7	.5	.3	.1	.7	.5	.3	.1	.5	.3	.1	.5	.3	.1	.5	.3	.1	.5	.3	.1	.5	.3	.1	.5	.3	.1	.5	.3	.1	.5	.3	.1	.5	.3	.1	.5	.3	.1		
RCR																																								
0	73	73	73	73	71	71	71	71	68	68	68	68	65	65	65	65	63	63	63	63	61	61	61	61	61	61	61	61	61	61	61	61	61	61	61	61	61	61	61	61
1	65	61	58	54	63	60	56	54	57	54	52	54	52	50	50	52	50	49	49	47	47	47	47	47	47	47	47	47	47	47	47	47	47	47	47	47	47	47	47	47
2	58	51	46	42	56	50	45	41	48	44	40	46	42	39	44	41	38	37	37	37	37	37	37	37	37	37	37	37	37	37	37	37	37	37	37	37	37	37	37	37
3	52	44	38	33	50	43	37	33	41	36	32	39	35	31	37	34	31	29	29	29	29	29	29	29	29	29	29	29	29	29	29	29	29	29	29	29	29	29	29	29
4	47	38	32	27	45	37	31	27	36	30	26	34	30	26	33	29	26	24	24	24	24	24	24	24	24	24	24	24	24	24	24	24	24	24	24	24	24	24	24	24
5	43	34	27	23	41	33	27	22	31	26	22	30	26	22	29	25	22	20	20	20	20	20	20	20	20	20	20	20	20	20	20	20	20	20	20	20	20	20	20	20
6	39	30	24	19	38	29	23	19	28	23	19	27	22	19	26	22	19	17	17	17	17	17	17	17	17	17	17	17	17	17	17	17	17	17	17	17	17	17	17	17
7	36	27	21	17	35	26	21	17	25	20	17	24	20	16	24	19	16	15	15	15	15	15	15	15	15	15	15	15	15	15	15	15	15	15	15	15	15	15	15	15
8	34	24	19	15	32	24	18	15	23	18	15	22	18	14	21	17	14	13	13	13	13	13	13	13	13	13	13	13	13	13	13	13	13	13	13	13	13	13	13	13
9	31	22	17	13	30	22	17	13	21	16	13	20	16	13	20	16	13	12	12	12	12	12	12	12	12	12	12	12	12	12	12	12	12	12	12	12	12	12	12	12
10	29	20	15	12	28	20	15	12	19	15	12	19	15	12	18	14	11	10	10	10	10	10	10	10	10	10	10	10	10	10	10	10	10	10	10	10	10	10	10	10

Total Luminaire Optical
Efficiency = 62.1%



CANDELA DISTRIBUTION

Vert. Angle	0	22.5	45	67.5	90
0	435	435	435	435	435
5	388	475	414	455	432
10	394	443	466	473	469
15	408	451	425	480	500
20	399	431	472	494	503
25	379	432	468	537	521
30	358	426	481	550	588
35	323	385	472	553	605
40	294	378	483	555	572
45	278	346	472	554	588
50	246	335	461	598	671
55	211	305	457	649	753
60	189	288	469	669	784
65	168	274	479	737	831
70	137	258	506	717	815
75	111	248	488	684	777
80	80.3	207	424	555	593
85	45.2	119	150	139	123
90	7.89	9.56	8.41	10.8	8.26



— 0
- - - 45
- · - · 90

Lamp (1) 32w T8

Lumens: 2900 Per Lamp

Optical Distribution:
100% Direct

Day-O-Lite reserves the right to change product specifications without notice for product improvement.