

Squares

AD-SS6-D



TYPE _____

FEATURES

The AD-SS6 soft square series is an extruded aluminum luminaire available with a clear ribbed acrylic lens. The luminaires can be mounted individually, in rows or in any of combination of patterns. The luminaires in this series provide low glare and widespread illumination. The simplicity of the AD-SS6 series is the solution for open spaces while providing maximum design versatility to meet the perceived source of illumination for a specific environment.

SPECIFICATIONS

- Housing:** One piece heavy gauge extruded aluminum 6063T5 alloy welded construction forming a 4" x 6" soft square profile. Finished end caps are welded with no exposed hardware or knockouts.
- Reflector:** Die formed 20-gauge cold rolled steel minimum 90% reflectivity finished in high gloss baked white enamel.
- Shielding:** Standard lens is extruded acrylic with linear ribs (ARL) for efficient light distribution.
- Electrical:** Ballast is electronic, high power factor, thermally protected class P, sound rated A, with less than 20% total harmonic distortion. The minimum number of ballasts will be used unless otherwise specified.
- Mounting:** Standard installation is an adjustable self-locking aircraft assembly 48" x 3/32" in diameter with 5" canopy. One 16/4 SJT straight 54" cord is supplied with each power feed. Standard pendants are available in 24" lengths. See Accessories for additional mounting.
- Finish:** Fixture housing and steel components are finished in baked white enamel applied over a five-stage pretreatment process.
- Lamps:** Fixtures are provided for use with one or two 32 watt T8 lamps or 54 watt T5 HO lamps. (Supplied by Others)
- Certification:** Luminaires are U. L. Listed, C. S. A. certified and are Union Made in the United States of America I.B.E.W.

ORDERING GUIDE

MODEL NO.	DIRECTION	SHIELDING	LAMPS	MOUNTING	LENGTH	FINISH	VOLTAGE	OPTIONS
AD-SS6	D							
AD-SS6	D= Direct	ARL= Acrylic Ribbed Lens	132 T8 232 T8 154T5 HO 254T5 HO	AC= Cable PD= Pendant S= Surface WM= Wall Mounted	4= ft 8= ft	W= White CC= Custom Color	120v 277v	See Options Below
			O= Other Specify	See Accessories	for other, please enter row length (eg. 48=48ft)			

Example: **AD-SS6-D-ARL-232T8-AC-4-W-120V**
 AD-SS6 direct with acrylic ribbed linear lens for two 32 watt T8 lamps including two 48 inch aircraft cables and power feed four foot fixture finished in baked white enamel 120v electronic ballast less than 20% total harmonic distortion.

OPTIONS

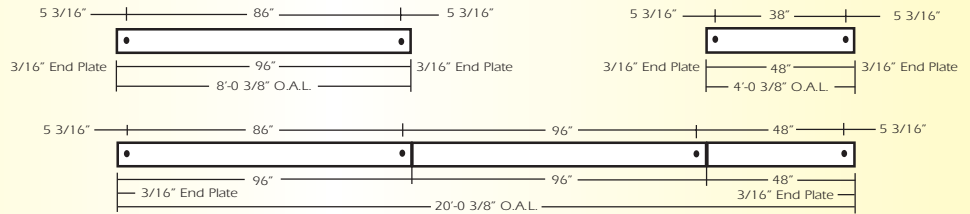
- E10=** Electronic ballast, high power factor, thermally protected class P, sound rated A, < 10% total harmonic distortion
- DIM=** Dimming Ballast
- EPC=** Emergency Battery Pack
- EMC=** Emergency Circuit
- TCW=** Two Circuit Wiring
- TDW=** Tandem Wiring
- OTH=** See Accessories for other options available

Squares

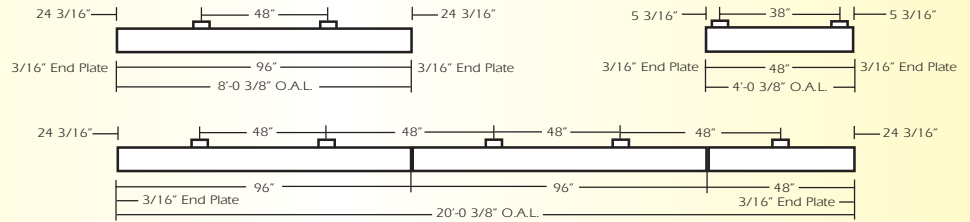
AD-SS6-D

LINEAR SECTIONS AND SUSPENSION LOCATION

SUSPENSION MOUNTING

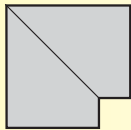


WALL MOUNTING

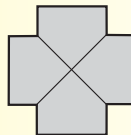


CORNERS

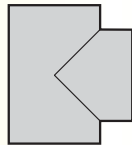
Corners and fixture extensions are custom fabricated to precise dimensions. Please indicate the specific requirements on the layout



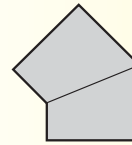
C2
90° Corner



C4
4-Way
Corner
(Cross)



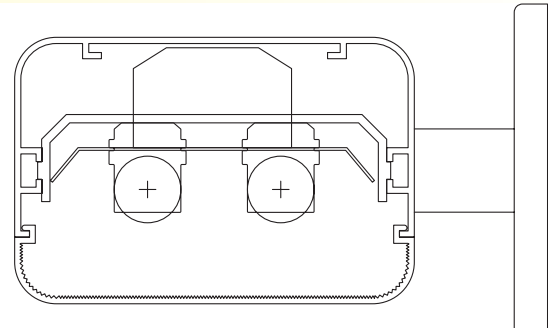
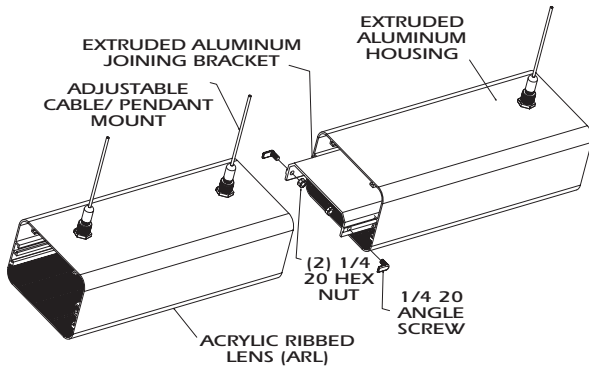
C3
3-Way
Corner
(Tee)



()° AC
Angular
Corner

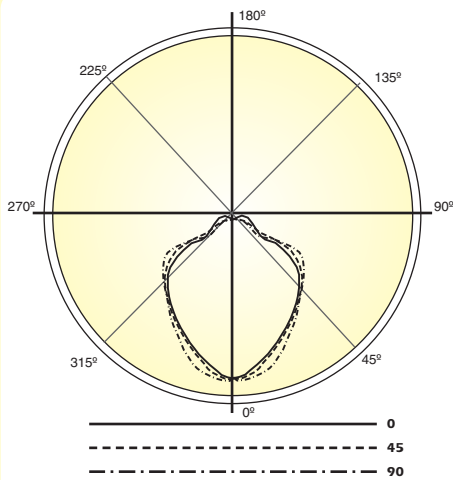
For any angular corner, ()° must be specified and dimensions must be included on the layout
For any pattern, a layout must accompany the order.

INSTALLATION PREPARATION



WALL BRACKET

PHOTOMETRY



LAMP (2) 32W T8
LUMENS: 2900 PER LAMP

Candela Distribution:

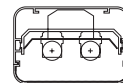
Vert. Angle	0	22.5	45	67.5	90
0	1466	1466	1466	1466	1466
5	1497	1466	1437	1443	1428
10	1355	1351	1355	1382	1331
15	1320	1330	1338	1351	1335
20	1294	1298	1316	1362	1323
25	1240	1277	1281	1319	1321
30	1185	1203	1216	1235	1285
35	1073	1097	1112	1114	1135
40	905	928	947	943	959
45	732	739	761	800	832
50	552	561	606	669	705
55	389	392	470	563	596
60	261	288	363	487	543
65	186	208	294	420	455
70	145	160	241	364	406
75	108	124	202	321	360
80	65	81	159	258	288
85	20	40	117	191	215
90	5	25	95	158	170

Optical Distribution:
100% Direct

Coefficients of Utilization - Zonal Cavity Method:

pfc = 0.20

pcc	.8	.7	.5	.3	.1	0											
pw	.7	.5	.3	.1	.5	.3	.1	.5	.3	.1	0						
RCR	0	75	75	75	73	73	73	69	69	69	65	65	65	62	62	62	60
1	69	66	63	60	67	64	61	59	60	58	57	57	56	54	51	51	50
2	63	58	53	50	61	56	52	49	53	50	47	51	48	46	43	43	43
3	58	51	46	42	56	50	45	42	47	44	40	45	42	39	37	37	37
4	53	46	40	36	51	45	40	36	43	38	35	41	37	34	32	32	32
5	49	41	36	32	47	40	35	31	38	34	31	37	33	30	28	28	28
6	45	37	32	28	44	36	31	28	35	30	27	34	30	27	25	25	25
7	42	34	29	25	41	33	28	25	32	27	24	31	27	24	22	22	22
8	39	31	26	22	38	31	26	22	29	25	22	28	24	21	20	20	20
9	37	29	24	20	36	28	23	20	27	23	20	26	22	19	18	18	18
10	35	26	22	18	34	26	21	18	25	21	18	24	20	18	17	17	16



Total Luminaire Optical
Efficiency = 63.8%